

Instructions and Parts List

3M-Matic™

P/N 70-0067-0017-6
T-Table / a80
Flap Folder Attachment
Type 10900

For Use On:

"3M-Matic"

a80 Adjustable Case Sealers

Purpose of Attachment

The **T-Table / a80 Flap Folder Attachment** when installed on the infeed end of a case sealer, provides additional ease and speed with flap folding operations.

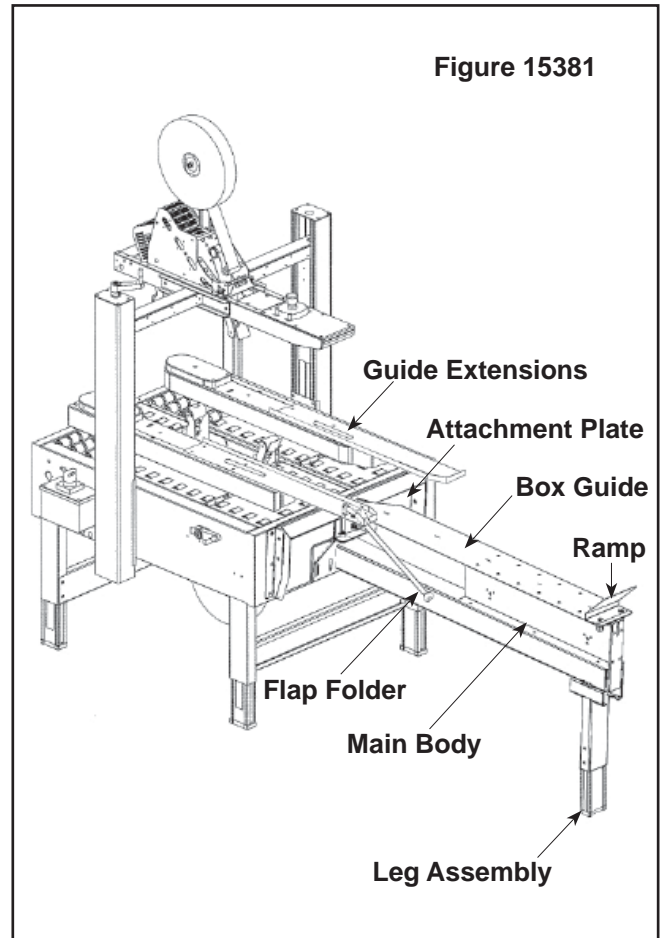
Specifications

T-Table / a80 Flap Folder Attachment
Consists of:

Quantity	Description
1	Leg Assembly
1	T-Table Main Body / Junction Tube
1	Box Guide
1	Box Pre-Former / Ramp
1	Attachment Plate
2	Guide Extensions
1	Flap Folder
	Assembly Hardware

(See Figure 15381)

Figure 15381



P/N 70-0067-0017-6
T-Table / a80 Flap Folder Attachment

Overall Dimensions:

Minimum Length: 1216 mm = 48.87 in
Maximum Length: 1397 mm = 55 in
Minimum Height: 660 mm = 26 in
Maximum Height: Limited by Case Sealer
T-Table Width: 152 mm - 6 in

Weight:

Packaged - 11.8 kg [26 lbs]
Unpackaged - 11.3 kg [25 lbs]

Installation Instructions



WARNING – Turn "Off" electrical power and disconnect air supply to the machine before beginning installation. Failure to do so could result in injury to personnel or damage to the machine.

Preparation:

1. Remove the T-Table frame and the package of parts from the carton.
2. Verify that the package contains the parts listed in the parts list.
3. To assemble the T-Table, refer to instructions below and as shown in the **Figures and Parts List**.

Installation Instructions:

1. Attach assembled Main Frame to the Case Sealer Attachment Plate using 8 x 16mm screws and M8 washers (**Figure 1**).
2. Attach assembled Attachment Plate/Frame Assembly to Case Sealer using 8 x 16mm screws and M8 washers.
2. T-Table must be level to work properly. Level T-table by loosening 8 X 16mm socket head cap screws and sliding the inner leg to correct (level) position. Re-tighten screws.

(instructions continued on next page).

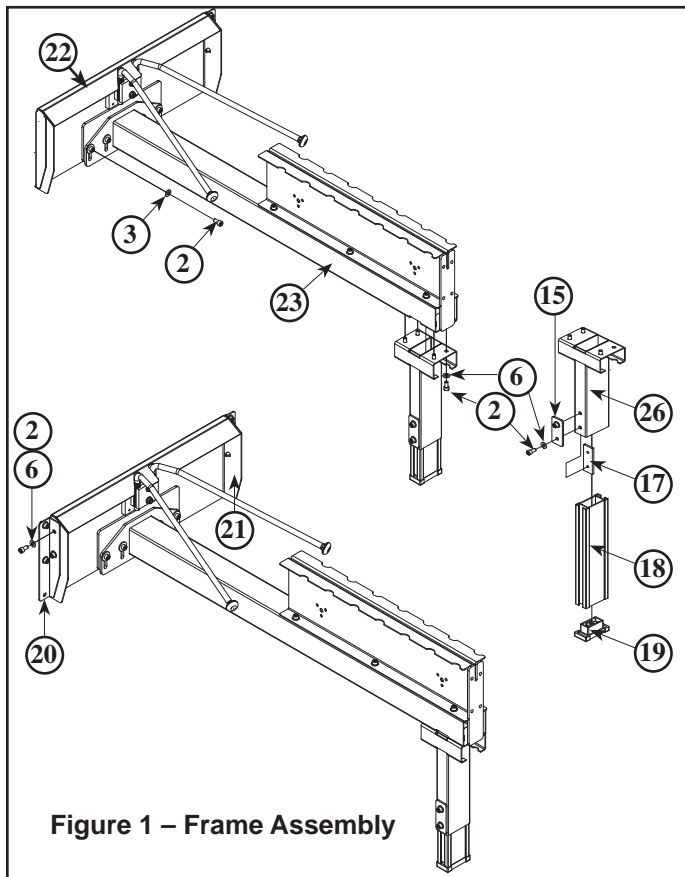


Figure 1 – Frame Assembly

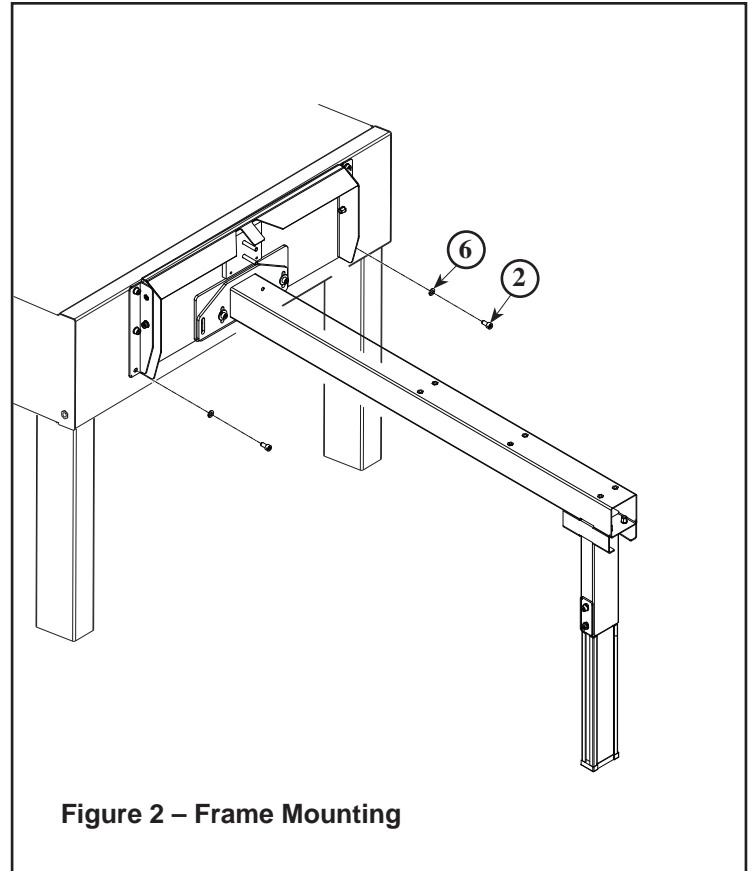


Figure 2 – Frame Mounting

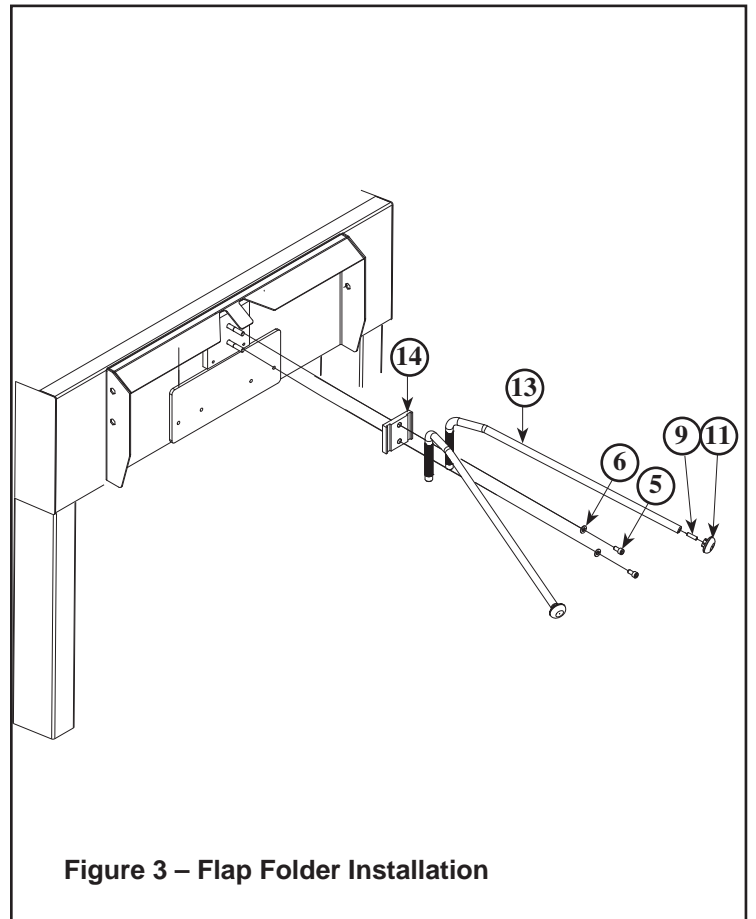
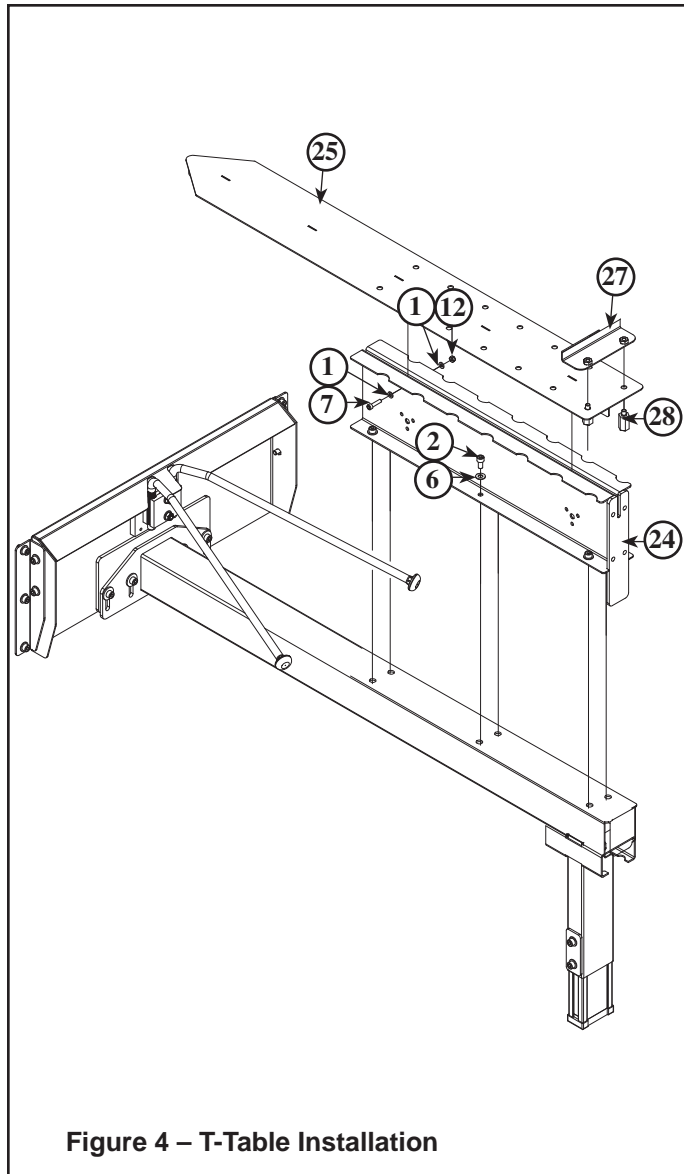


Figure 3 – Flap Folder Installation

Installation Instructions

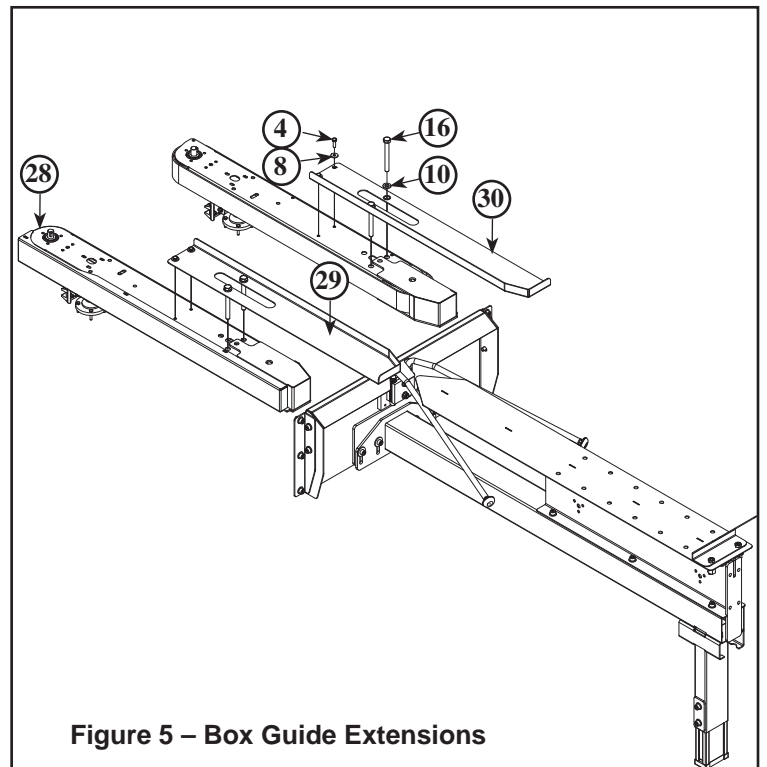
Installation Procedure (continued)

4. Using 6 x 25mm socket head cap screws, M6 washers, and M6 nuts - attach T-Table support/guide to previously mounted frame base (**Figure 4**).
5. To complete the T-Table assembly, mount the Box Guide Extensions to the existing Case Sealer drive assemblies using M6 x 20mm and M10 x 90mm hex head screws with M6 and M10 Triple Washers (**Figure 5**).
6. Test and adjust with boxes until ease of operation is achieved.



PARTS LIST:

15381-1	26-1000-0010-3	Washer - Flat, M6 x 11.8 x 1.6
15381-2	26-1003-7963-0	Screw - Soc Hd, M8 x 16
15381-3	26-1004-5507-5	Washer - Flat, M8
15381-4	78-8010-7193-3	Screw - Hex Hd, M6 x 20
15381-5	78-8017-9313-0	Nut - Self-Locking, M8
15381-6	78-8017-9318-9	Washer - Plain, 8 mm x 18 x 1.5
15381-7	78-8023-2334-1	Screw - Soc Hd, Hex, M6 x 25
15381-8	78-8042-2919-9	Washer - Triple, M6
15381-9	78-8060-7863-6	Stud - M6 x 20
15381-10	78-8060-8452-7	Washer - Triple, M10
15381-11	78-8076-4546-6	Knob
15381-12	78-8091-0418-1	Nut - Self-Locking, M6
15381-13	78-8113-7087-9	Rod - Flap Folder
15381-14	78-8113-7088-7	Clamp - Flap Folder Rods
15381-15	78-8129-6100-7	Bracket
15381-16	78-8137-0588-2	Screw - Hex Hd, M10 x 90
15381-17	78-8137-0635-1	Clamp - Leg
15381-18	78-8137-0640-1	Leg - Inner
15381-19	78-8137-0641-9	Pad - Foot
15381-20	78-8137-0904-1	Plate - L/H
15381-21	78-8137-0905-8	Plate - R/H
15381-22	78-8137-5975-6	Plate
15381-23	78-8137-5976-4	Junction Tube
15381-24	78-8137-5977-2	Main Body
15381-25	78-8137-5978-0	Box Guide
15381-26	78-8137-5979-8	Fixed Leg
15381-27	78-8137-5980-6	Box Preformer
15381-28	78-8137-5981-4	Knob
15381-29	78-8137-5982-2	Extension - Guide L/H
15381-30	78-8137-5983-0	Extension - Guide R/H



How To Order Replacement Parts

1. Refer to parts illustration **Figures 1-5** to find part needed and reference number.
2. Refer to parts list for correct part number.
3. Order by part number, description, attachment part number and name.
4. Replacement parts and part prices available direct from:

3M/Tape Dispenser Parts
241 Venture Drive **800/344 9883**
Amery, WI 54001-1325 **FAX #715/268 8153**

Minimum billing on parts orders will be \$25.00 – Replacement part prices available on request.
\$10.00 restocking charge per invoice on returned parts.

Note: Outside the U.S. contact the local 3M subsidiary for parts ordering information.

Equipment Warranty and Limited Remedy: THE FOLLOWING WARRANTY IS MADE IN LIEU OF ALL OTHER WARRANTIES, EXPRESS OR IMPLIED, INCLUDING, BUT NOT LIMITED TO, THE IMPLIED WARRANTY OF MERCHANTABILITY, THE IMPLIED WARRANTY OF FITNESS FOR A PARTICULAR PURPOSE AND ANY IMPLIED WARRANTY ARISING OUT OF A COURSE OF DEALING, A CUSTOM OR USAGE OF TRADE:

3M warrants that its **3M-Matic™ P/N 70-0067-0017-6 T-Table / a80 Flap Folder Attachment, Type 19000**, will be free from defects for ninety (90) days after delivery. If any part is proved to be defective within the warranty period, then the exclusive remedy and 3M's and seller's sole obligation shall be, at 3M's option, to repair or replace the part, provided the defective part is returned immediately to 3M's factory or an authorized service station designated by 3M. A part will be presumed to have become defective after the warranty period unless the part is received or 3M is notified of the problem no later than five (5) calendar days after the warranty period. If 3M is unable to repair or replace the part within a reasonable time, then 3M, at its option, will replace the equipment or refund the purchase price. 3M shall have no obligation to provide or pay for the labor required to install the repaired or replacement part. 3M shall have no obligation to repair or replace (1) those parts failing due to operator misuse, carelessness, or due to any accidental cause other than equipment failure, or (2) parts failing due to non-lubrication, inadequate cleaning, improper operating environment, improper utilities or operator error.

Limitation of Liability: 3M and seller shall not be liable for direct, indirect, special, incidental or consequential damages based upon breach of warranty, breach of contract, negligence, strict liability or any other legal theory.

The foregoing Equipment Warranty and Limited Remedy and Limitation of Liability may be changed only by a written agreement signed by authorized officers of 3M and seller.

3M Packaging Systems Division
3M Center, Building 220-5E-06
St. Paul, MN 55144-1000

"3M-Matic" is a registered trademark of 3M,
St. Paul, Minnesota 55144-1000

Litho U.S.A. © 3M 2010 70-0067-0017-6 (A080510)