

Instructions and Parts List

3M-Matic™

P/N 70-0064-0378-9 Stainless Steel Conveyor Extension Attachment

 For use on 3M-Matic™ Stainless Steel Adjustable Case Sealers

**Stainless Steel Adjustable Case Sealer,
Type 10500**

Purpose of Attachment

When installed on the infeed or discharge end of a case sealer, the Stainless Steel Conveyor Extension Attachment provides additional conveyor platform surface for case sealing operations.

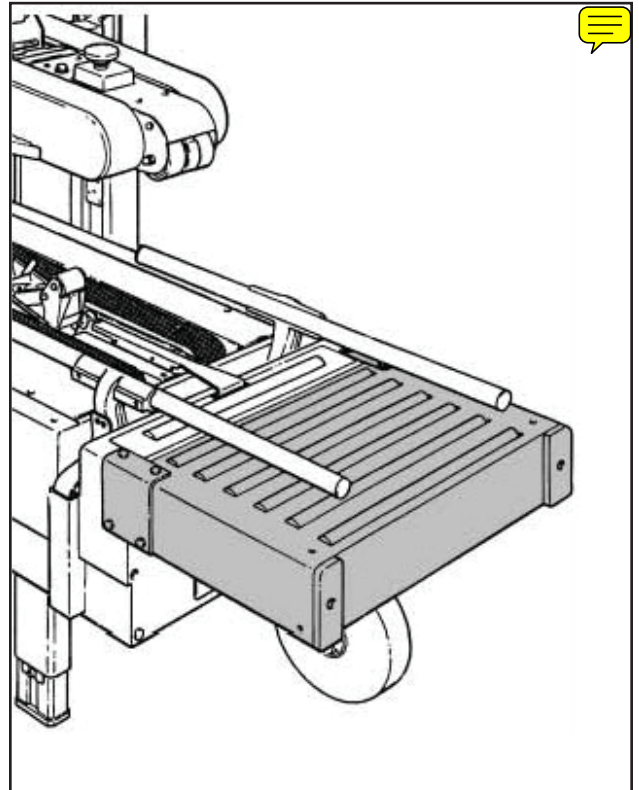
Specifications:

Overall Dimensions:

Length: 455 mm [18.inches]
Height: 130 mm [5 inches]
Width: 625 mm [24-1/2 inches]

Weight:

Packaged: 11.8 kg [26 lbs]
Unpackaged: 11.3 kg [25 lbs]



Conveyor Extension Attachment

Specifications (continued)

Conveyor Extension Attachment Consists of:

Quantity	Description
1	Assembly, Conveyor Extension
2	Bracket
8	Washer, Plain, M8
12	Screw , Hex Soc. Hd. M8 x 16



WARNING




- To reduce the risk associated with pinch and entanglement hazards.
- Turn off electrical power before performing any adjustments on the machine.

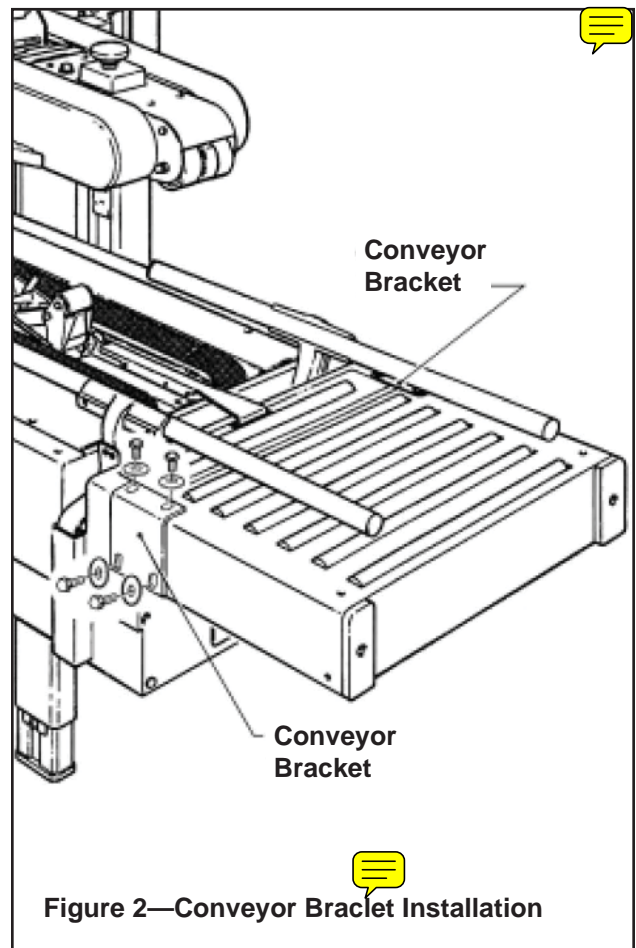
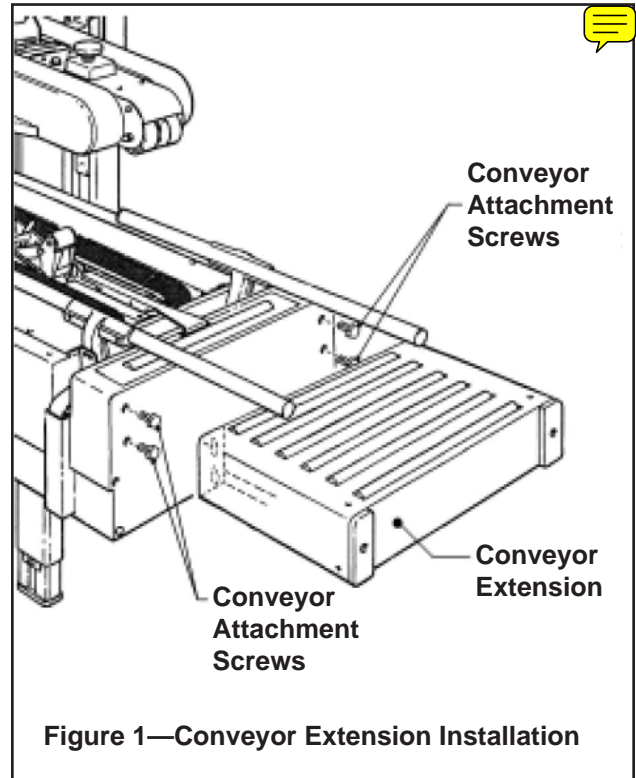
Installation Instructions

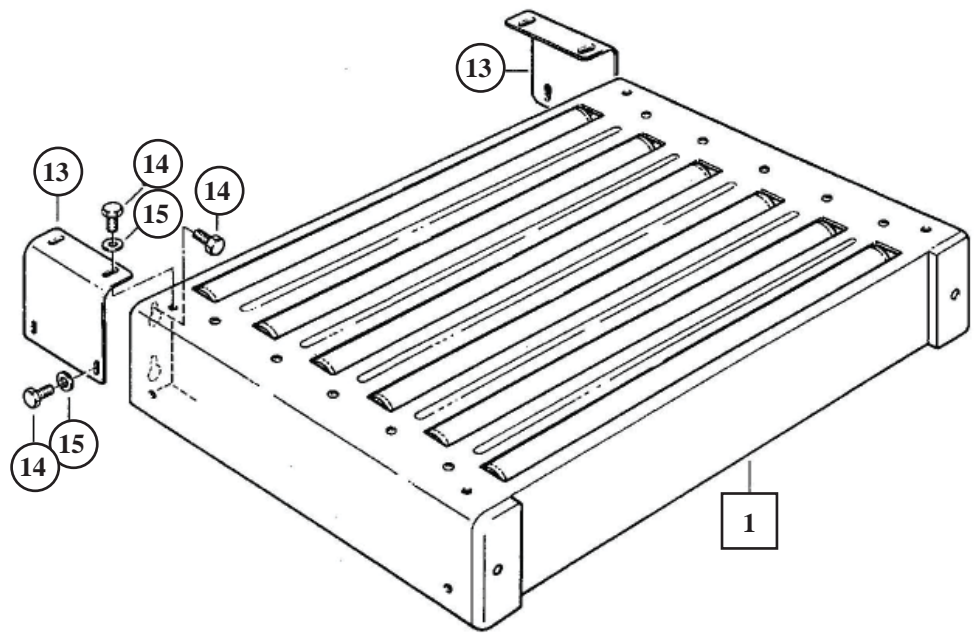
WARNING

- **To reduce the risk associated with mechanical and electrical hazards:**
 - Turn electrical and air supply off and disconnect before performing any adjustments, maintenance or servicing the machine.

Conveyor Assembly

1. Remove the conveyor extension and the package of parts from the carton. 
2. Verify that the package contains two conveyor brackets, twelve M8 x 16 hex head screws, and eight (8) 8mm plain washers.
3. To attach the conveyor extension, refer to **Figure 1**, and locate four screw holes on the end of the case sealer frame.
4. Insert a hex head screw (M8 x 16) in each hole so that only a few threads take hold. **Do not use washers with these screws.**
5. Attach the conveyor extension over the screws using the inverted keys  in the end of the conveyor. Tighten all four (4) screws with a 13mm wrench.
6. Refer to **Figure 2**. Set the conveyor bracket over the joint  between the conveyor and the case sealer frame on each side and secure them with four (4) M8 x 16 hex head screws and washers.





1

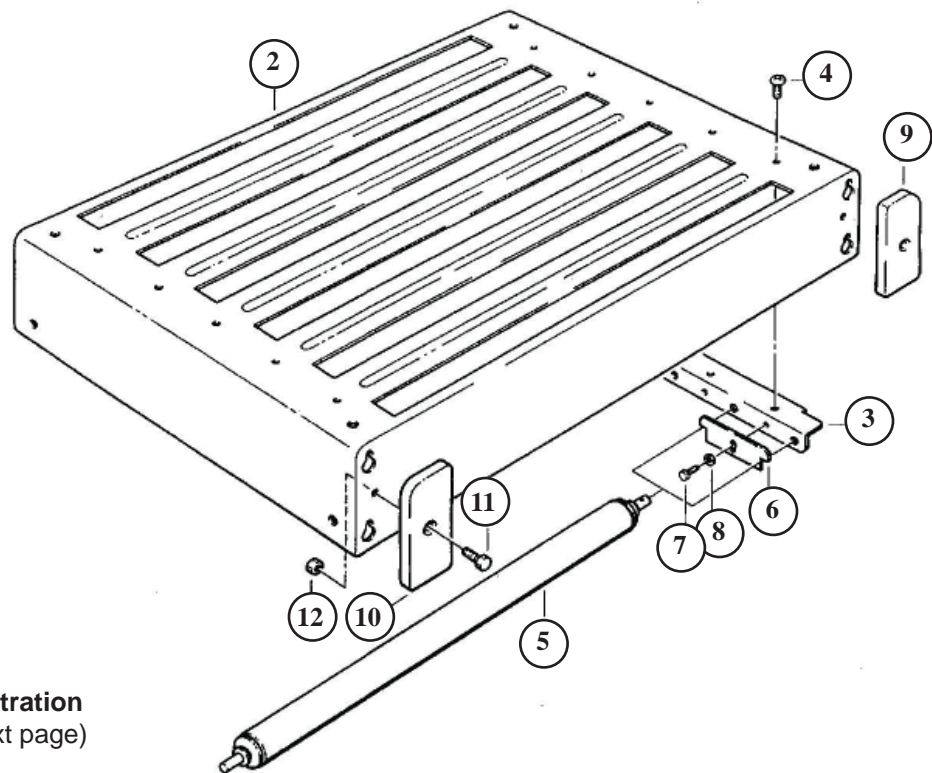


Figure 3—Parts Illustration
(Parts list is on next page)

Replacement Parts List

Ref Part No. Number	Description	Ref Part No. Number	Description		
1	78-8134-2074-8	Infeed conveyor assy	9	78-8076-4511-0	Cap - front, R/H
2	78-8134-2075-5	Plate - reinforcement	10	78-8076-4512-8	Cap - front, L/H
3	78-8134-2076-3	Plate - reinforcement	11	78-8060-8295-0	Screw - Hex.hd, M6x16
4	78-8134-2009-4	Screw - special, M5x16	12	78-8060-8288-5	Nut - metric, M6
5	78-8134-2077-1	Roller / 32x492	13	78-8134-2079-7	Bracket - infeed conveyor
6	78-8134-2078-9	Plate - roller	14	78-8060-8323-0	Screw - Hex.hd, M8x16
7	78-8100-0905-6	Screw - Hex.hd, M4x10	15	78-8060-8308-1	Washer - Plain, M8
8	78-8060-8297-6	Washer - plain, M4			

How To Order Replacement Parts

1. Refer to **Figure 3** to find the required part and reference number.
2. Refer to parts list for correct part number.
3. Order by part number, description, attachment part number and name.
4. Replacement parts and part prices available direct from:

3M Tape Dispenser Parts
241 Venture Drive **800-344-9883**
Amery, WI 54001-1325 **Fax: 715-268-8153**

Minimum billing on parts orders will be \$25.00 – Replacement part prices available on request.
 \$10.00 restocking charge per invoice on returned parts.

Note: Outside the U.S. contact the local 3M subsidiary for parts ordering information.

Equipment Warranty and Limited Remedy: THE FOLLOWING WARRANTY IS MADE IN LIEU OF ALL OTHER WARRANTIES, EXPRESS OR IMPLIED, INCLUDING, BUT NOT LIMITED TO, THE IMPLIED WARRANTY OF MERCHANTABILITY, THE IMPLIED WARRANTY OF FITNESS FOR A PARTICULAR PURPOSE AND ANY IMPLIED WARRANTY ARISING OUT OF A COURSE OF DEALING, A CUSTOM OR USAGE OF TRADE:

3M warrants that its **3M-Matic™ P/N 70-0064-0378-9 Stainless Steel Conveyor Extension Attachment, Type 10500**, will be free from defects for ninety (90) days after delivery. If any part is proved to be defective within the warranty period, then the exclusive remedy and 3M's and seller's sole obligation shall be, at 3M's option, to repair or replace the part, provided the defective part is returned immediately to 3M's factory or an authorized service station designated by 3M. A part will be presumed to have become defective after the warranty period unless the part is received or 3M is notified of the problem no later than five (5) calendar days after the warranty period. If 3M is unable to repair or replace the part within a reasonable time, then 3M, at its option, will replace the equipment or refund the purchase price. 3M shall have no obligation to provide or pay for the labor required to install the repaired or replacement part. 3M shall have no obligation to repair or replace (1) those parts failing due to operator misuse, carelessness, or due to any accidental cause other than equipment failure, or (2) parts failing due to non-lubrication, inadequate cleaning, improper operating environment, improper utilities or operator error.

Limitation of Liability: 3M and seller shall not be liable for direct, indirect, special, incidental or consequential damages based upon breach of warranty, breach of contract, negligence, strict liability or any other legal theory.

The foregoing Equipment Warranty and Limited Remedy and Limitation of Liability may be changed only by a written agreement signed by authorized officers of 3M and seller.

3M
3M Packaging Systems Division
 3M Center, Building 220-5E-06
 St. Paul, MN 55144-1000

“3M-Matic” is a registered trademark of 3M,
 St. Paul, Minnesota 55144-1000

Litho U.S.A. © 3M 2010 P/N 44-0009-2103-9 (A102610)