

Instructions and Parts List

3M-Matic™

P/N 78-8079-5574-1 KS Conveyor Extension Attachment, Type 19300

For Use On:
"3M-Matic"

700aks Adjustable Case Sealer

Can be used on both infeed and exit end of machine.

700rks Random Case Sealer

For use on exit end of machine only.

Purpose of Attachment

The Conveyor Extension Attachment when installed on the infeed or exit end of a case sealer, provides additional platform surface for non-conveyor operations.

Specifications

Conveyor Extension Attachment consists of:

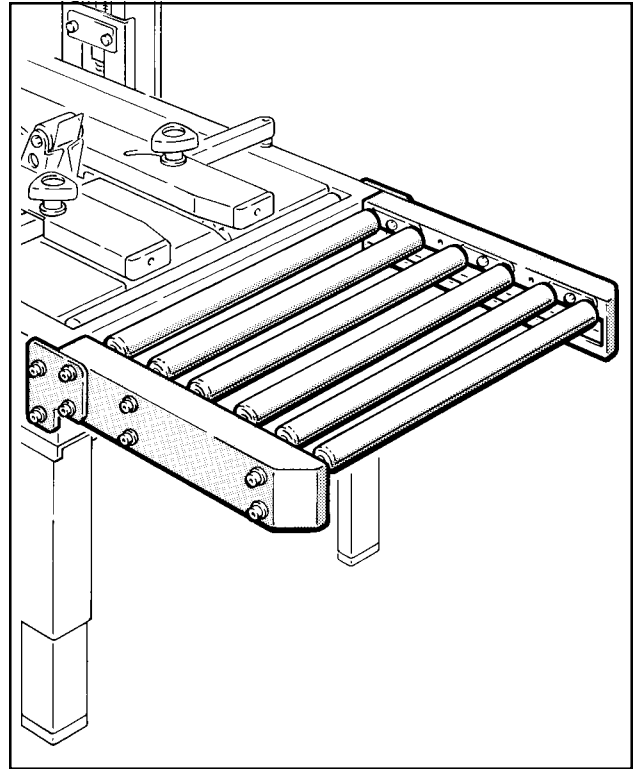
Qty.	Description
1	Frame – Conveyor Extension
2	Bracket – Conveyor
8	Washer – Plain, 8mm
8	Screw – Soc Hd M8 x 16

Overall Dimensions:

Length – 17 inches [435 mm]
Height – 3 5/8 Inches [95 mm]
Width – 28 1/2 inches [725 mm]

Weight:

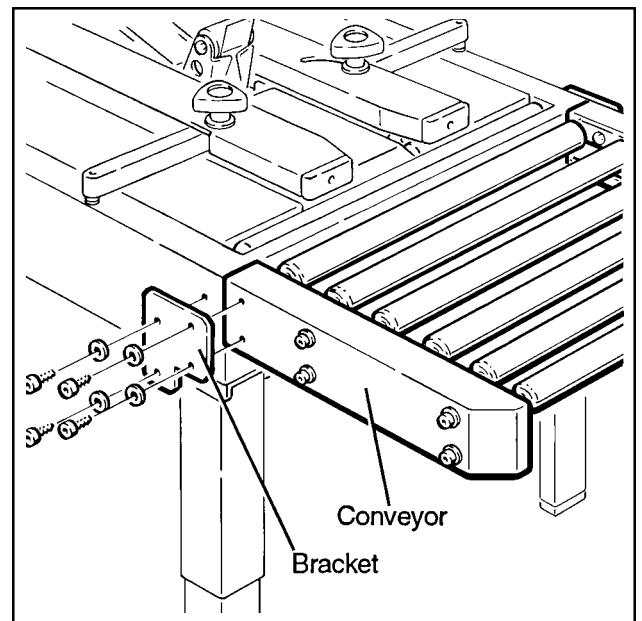
Packaged – 26 pounds [11.8 kg]
Unpackaged – 25 pounds [11.3 kg]



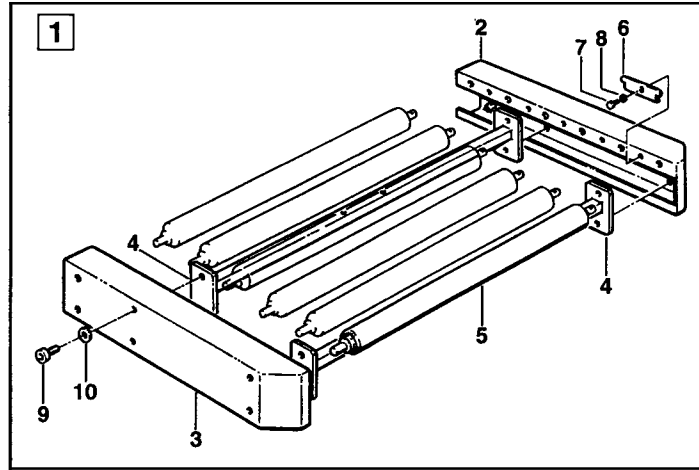
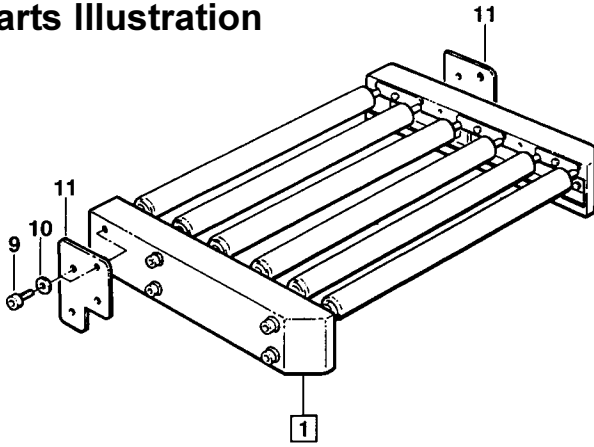
Conveyor Extension Attachment – shown installed on infeed end of 700 aks

Installation

Attach the conveyor to the case sealer using the (2) brackets, (8) M8 x 16 socket head capscrews and 8 mm plain washers as shown below.



Parts Illustration



Replacement Parts List

Ref No.	Part Number	Description
1	78-8091-0720-0	Conveyor – Assembly
2	78-8091-0721-8	Frame – R/H
3	78-8091-0722-6	Frame – L/H
4	78-8060-8445-1	Brace
5	78-8091-0559-2	Roller
6	78-8076-4507-8	Plate – Infeed

Ref No.	Part Number	Description
7	78-8010-7157-8	Screw – Hex Hd, M4 x 10
8	78-8005-5740-3	Washer – Plain 4 mm
9	26-1003-7963-0	Screw – Soc Hd, M8 x 16
10	78-8017-9318-9	Washer – Plain 8 mm
11	78-8091-0723-4	Bracket – Mounting

How To Order Replacement Parts

1. Refer to parts illustration above to find part needed and reference number.
2. Refer to parts list for correct part number.
3. Order by part number, description, attachment part number and name.

4. Replacement parts and part prices available direct from:

3M/Tape Dispenser Parts

241 Venture Drive 800/344 9883
Amery, WI 54001-1325 FAX 715/268 8153

Minimum billing on parts orders will be \$25.00 – Replacement part prices available on request.
\$10.00 restocking charge per invoice on returned parts.

Equipment Warranty and Limited Remedy: THE FOLLOWING WARRANTY IS MADE IN LIEU OF ALL OTHER WARRANTIES, EXPRESS OR IMPLIED, INCLUDING, BUT NOT LIMITED TO, THE IMPLIED WARRANTY OF MERCHANTABILITY, THE IMPLIED WARRANTY OF FITNESS FOR A PARTICULAR PURPOSE AND ANY IMPLIED WARRANTY ARISING OUT OF A COURSE OF DEALING, A CUSTOM OR USAGE OF TRADE:

3M warrants that its 3M-Matic™ P/N 78-8079-5574-1 KS Conveyor Extension Attachment, Type 19300, will be free from defects for ninety (90) days after delivery. If any part is proved to be defective within the warranty period, then the exclusive remedy and 3M's and seller's sole obligation shall be, at 3M's option, to repair or replace the part, provided the defective part is returned immediately to 3M's factory or an authorized service station designated by 3M. A part will be presumed to have become defective after the warranty period unless the part is received or 3M is notified of the problem no later than five (5) calendar days after the warranty period. If 3M is unable to repair or replace the part within a reasonable time, then 3M, at its option, will replace the equipment or refund the purchase price. 3M shall have no obligation to provide or pay for the labor required to install the repaired or replacement part. 3M shall have no obligation to repair or replace (1) those parts failing due to operator misuse, carelessness, or due to any accidental cause other than equipment failure, or (2) parts failing due to non-lubrication, inadequate cleaning, improper operating environment, improper utilities or operator error.

Limitation of Liability: 3M and seller shall not be liable for direct, indirect, special, incidental or consequential damages based upon breach of warranty, breach of contract, negligence, strict liability or any other legal theory.

The foregoing Equipment Warranty and Limited Remedy and Limitation of Liability may be changed only by a written agreement signed by authorized officers of 3M and seller.

3M

3M Packaging Systems Division

3M Center Bldg. 220-8W-01
St. Paul, MN 55144-1000

"3M-Matic" is a trademark of 3M,
St. Paul, Minnesota 55144-1000

Printed in U.S.A.

© 3M 2001 44-0009-1850-6(B)