

Instructions and Parts List

3M-Matic™

P/N 70-0067-5966-9 Conveyor Extension Attachment

Type 11400

For Use On:

"3M-Matic"

7000a Pro
Adjustable Case Sealers

7000r Pro
Random Case Sealers

Purpose of Attachment:

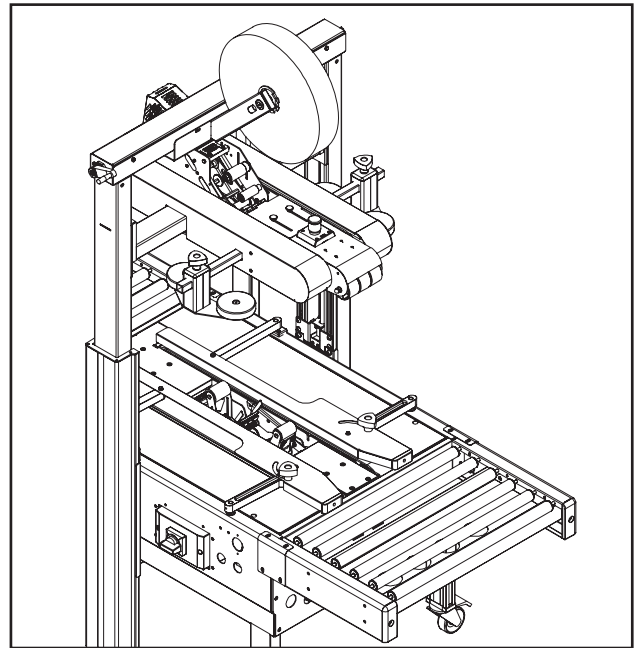
The Conveyor Extension Attachment when installed on either end of a case sealer, provides additional conveyor platform surface for non-conveyor operations.

Note: The 7000r Infeed conveyor is Standard Equipment.
All other 7000a and 7000r conveyors are optional.

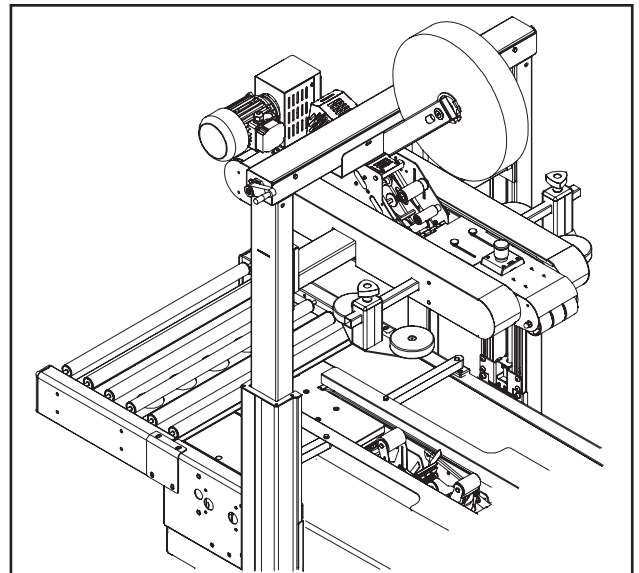
Specifications:

Exit Conveyor Extension Attachment Consists of:

Quantity	Description
1	Frame – Conveyor Extension
2	Bracket – Conveyor
8	Washer – Plain, 8mm
12	Screw – Hex Hd, M8 x 16



Infeed Conveyor Extension Attachment:
(7000a/7000a3 Adjustable Case Sealer is shown)



Exit Conveyor Extension Attachment:
(7000a/7000a3 Adjustable Case Sealer is shown)

Overall Dimensions:

Length	–	455mm [18 inches]
Height	–	130mm [5 inches]
Width	–	772mm [30 3/8 inches]

Weight:

Packaged	–	13.2 kg [29 lbs]
Unpackaged	–	12.7 kg [28 lbs]

Installation Instructions



WARNING

- To reduce the risk associated with pinches, entanglement, and hazardous voltage:
- Turn electrical supply off and disconnect before performing any adjustments, maintenance or servicing the machine or taping heads.

Conveyor Assembly

1. Remove the conveyor extension and the package of parts from the carton.
2. Verify that the package contains two (2) conveyor brackets, twelve (12) M8 x 16 hex head screws, and eight (8) 8mm plain washers.
3. To attach the conveyor extension, refer to **Figure 1**, and locate four (4) screw holes on the end of the case sealer frame.
4. Insert a hex head screw (M8 x 16) in each hole so that only a few threads take hold.

Note: Do not use washers with these screws.

5. Attach the conveyor extension over the screws using the inverted keyholes in the end of the conveyor. Tighten all four (4) screws with a 13mm wrench.
6. Refer to **Figure 2**. Set the conveyor bracket over the joint between the conveyor and the case sealer frame on each side and secure them with four (4) M8 x 16 hex head screws and washers.
7. Repeat procedure for all applicable brackets on your machine - **Figure 3**.

Note: The 7000r Infeed conveyor is Standard Equipment. All other 7000a and 7000r infeed and exit conveyors are optional.

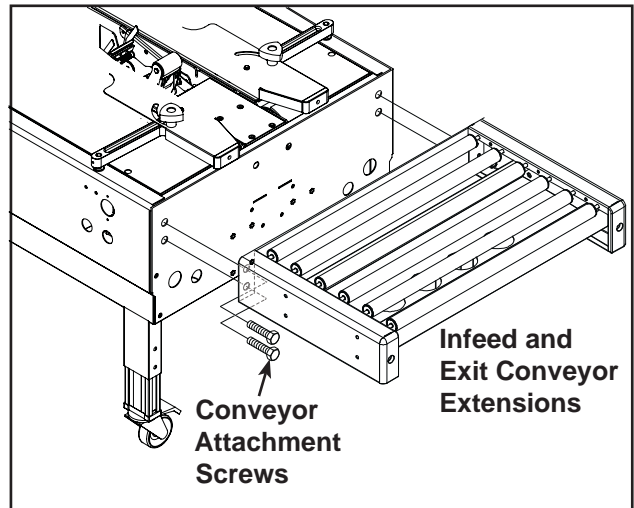


Figure 1 Conveyor Infeed and Exit Extension Installation

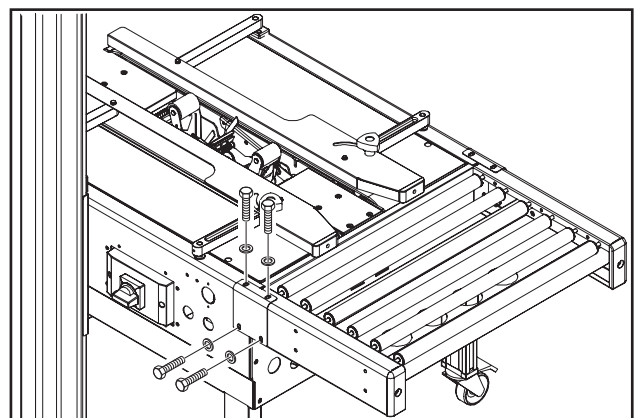


Figure 2 Conveyor Infeed and Exit Extension Support Bracket Installation

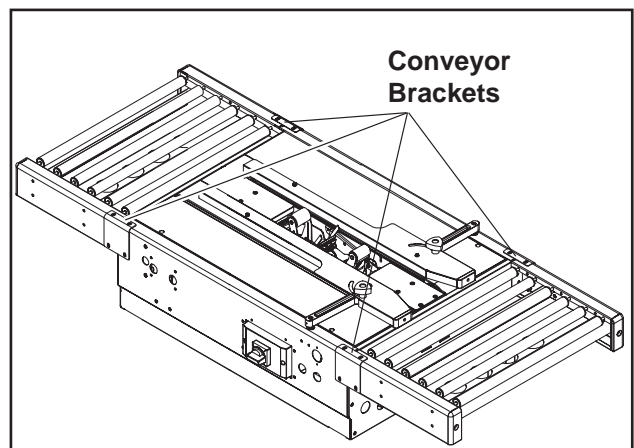


Figure 3 Conveyor Brackets:
(7000a/7000a3 Adjustable Case Sealer is shown)

Replacement Parts

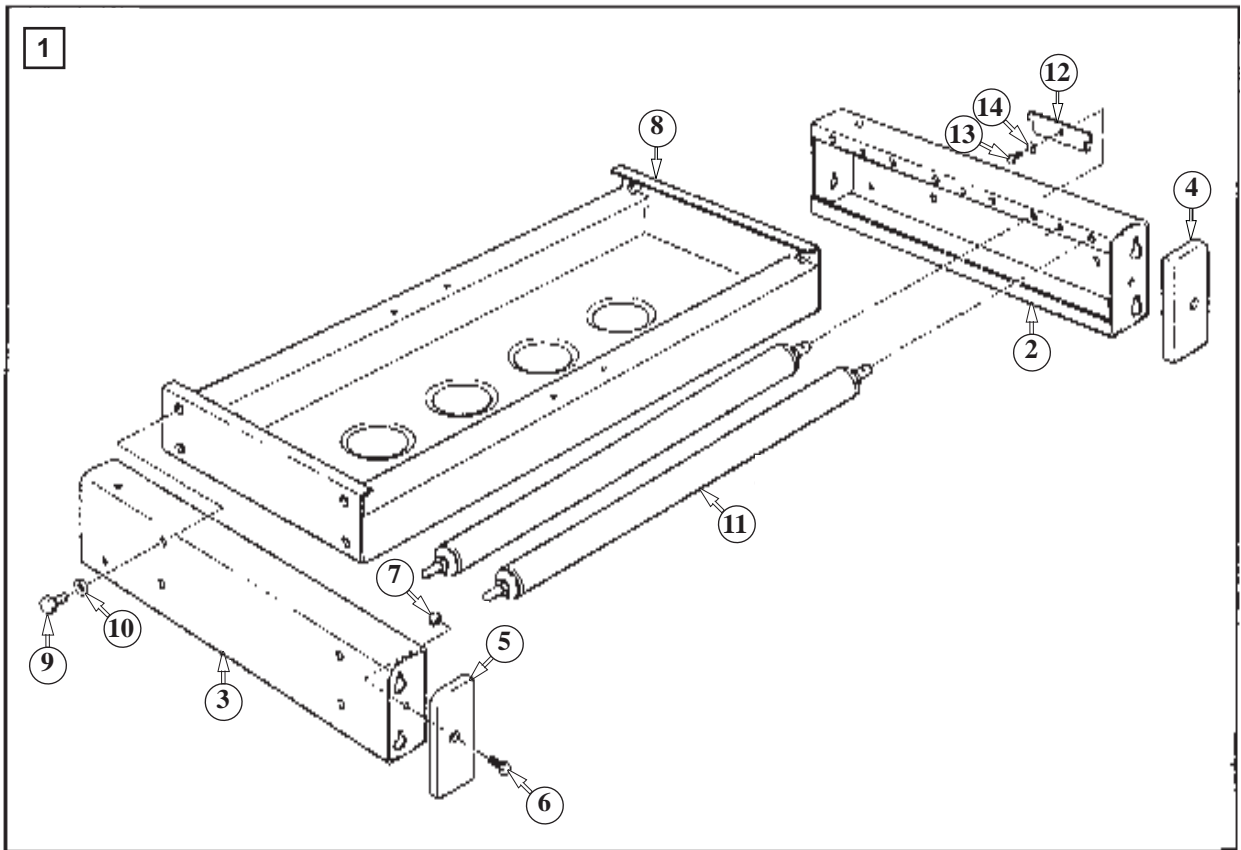
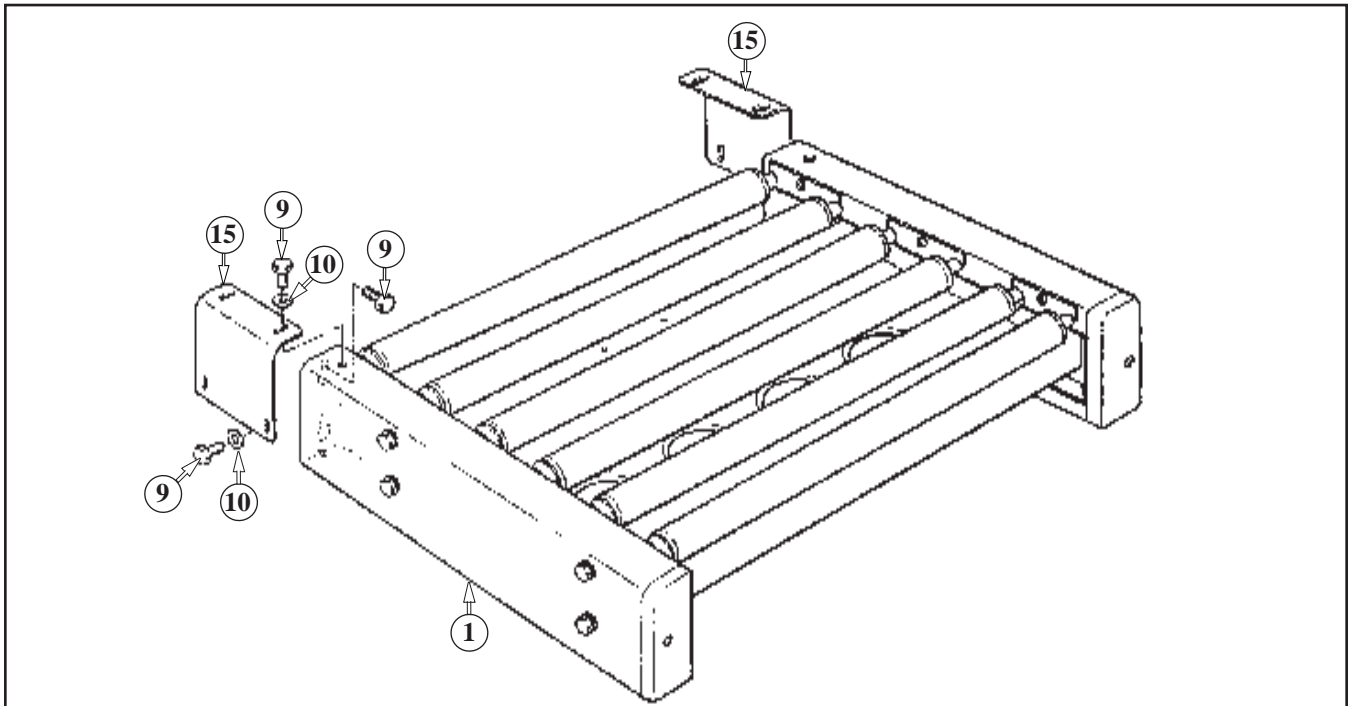


Figure 4 Parts Illustration (parts list on back page)

Replacement Parts List

Ref No.	Part Number	Description	Ref No.	Part Number	Description
1	70-0067-5966-9	Conveyor – Infeed	9	26-1003-5841-0	Screw – M8 x 16
2	78-8137-7867-3	Frame – R/H	10	78-8017-9318-9	Washer – Plain, 8mm
3	78-8137-7869-9	Frame – L/H	11	78-8137-3601-0	Roller – 32 x 642
4	78-8076-4511-0	Cap – Front, R/H	12	78-8076-4507-8	Plate – Infeed
5	78-8076-4512-8	Cap – Front, L/H	13	78-8010-7157-8	Screw – Hex Hd, M4 x 10
6	78-8032-0375-7	Screw – Hex Hd, M6 x 16	14	78-8005-5740-3	Washer – Plain, 4mm
7	78-8010-7418-4	Nut – Hex, M6	15	78-8137-7870-7	Bracket – Conveyor
8	78-8137-3600-2	Plate – Reinforcement			

How To Order Replacement Parts

1. Refer to parts illustration **Figure 4** to find part needed and reference number.
2. Refer to parts list for correct part number.
3. Order by part number, description, attachment part number and name.
4. Replacement parts and part prices available direct from:

3M/Tape Dispenser Parts
241 Venture Drive **800/344 9883**
Amery, WI 54001-1325 **FAX #715/268 8153**

Minimum billing on parts orders will be \$25.00 – Replacement part prices available on request.
 \$10.00 restocking charge per invoice on returned parts.

Note: Outside the U.S. contact the local 3M subsidiary for parts ordering information.

Equipment Warranty and Limited Remedy: THE FOLLOWING WARRANTY IS MADE IN LIEU OF ALL OTHER WARRANTIES, EXPRESS OR IMPLIED, INCLUDING, BUT NOT LIMITED TO, THE IMPLIED WARRANTY OF MERCHANTABILITY, THE IMPLIED WARRANTY OF FITNESS FOR A PARTICULAR PURPOSE AND ANY IMPLIED WARRANTY ARISING OUT OF A COURSE OF DEALING, A CUSTOM OR USAGE OF TRADE:

3M warrants that its **3M-Matic™ P/N 70-0067-5966-9 Conveyor Extension Attachment, Type 11400**, will be free from defects for ninety (90) days after delivery. If any part is proved to be defective within the warranty period, then the exclusive remedy and 3M’s and seller’s sole obligation shall be, at 3M’s option, to repair or replace the part, provided the defective part is returned immediately to 3M’s factory or an authorized service station designated by 3M. A part will be presumed to have become defective after the warranty period unless the part is received or 3M is notified of the problem no later than five (5) calendar days after the warranty period. If 3M is unable to repair or replace the part within a reasonable time, then 3M, at its option, will replace the equipment or refund the purchase price. 3M shall have no obligation to provide or pay for the labor required to install the repaired or replacement part. 3M shall have no obligation to repair or replace (1) those parts failing due to operator misuse, carelessness, or due to any accidental cause other than equipment failure, or (2) parts failing due to non-lubrication, inadequate cleaning, improper operating environment, improper utilities or operator error.

Limitation of Liability: 3M and seller shall not be liable for direct, indirect, special, incidental or consequential damages based upon breach of warranty, breach of contract, negligence, strict liability or any other legal theory.

The foregoing Equipment Warranty and Limited Remedy and Limitation of Liability may be changed only by a written agreement signed by authorized officers of 3M and seller.



3M Industrial Adhesives and Tapes
 3M Center, Building 220-5E-06
 St. Paul, MN 55144-1000

“3M-Matic” is a registered trademark of 3M,
 St. Paul, Minnesota 55144-1000
 Printed in U.S.A.
 © 3M 2014 70-0067-5966-9 (A032114-NA)