

3M-Matic™

P/N 70-0064-2998-2 Caster Attachment Kit

For use on 3M-Matic™

- a20 Adjustable Case Sealer - Type 10700
- a70 Adjustable Case Sealer - Type 10700
- r70 Random Case Sealer - Type 10700
- a80 / a803/ a80b Adjustable Case Sealer - Type 10800
- 7000a / 7000a3 Pro Adjustable Case Sealer - Type 11400
- 7000r / 7000r3 Pro Random Case Sealer - Type 11400
- 8000a / 8000a3 Adjustable Case Sealer - Type 11400

Purpose of Attachment

When installed on the case sealer, the Caster Kit Attachment provides an easy and convenient means for moving the machine from one location to another.

Specifications

Caster Dimensions:

- Length:** 180mm [7.125 inch]
- Height:** 160mm [6.25 inch]
Overall add 120mm [4.75 inch] to conveyor bed height
- Width:** 90mm [3.5 inch]

Weight:

- Packaged: 4.6 kg [10 lbs]
- Unpackaged: 4.2 kg [9.25 lbs]

- Wheel Diameter: 100mm [4 inch]
- Wheel Thread Width: 32mm [1.25 inch]
- Caster Load Rating: 116 kg [255 lbs.] each

Installation Instructions

1. Place bracket and lockwasher over caster stud and tighten nut onto stud as shown in **Figure 1**. Repeat for the remaining caster assemblies.
2. Raise the case sealer so that the bottoms of the legs are a minimum of 8.5" (216mm) above the floor. Place supports under the case sealer.
3. Loosen the set screws in the bracket and slide the caster assembly flush onto the leg opposite the leg plate. Tighten both setscrews. Repeat for the remaining caster assemblies.
4. Remove the supports and allow the case sealer to rest on the four (4) casters.



Caster Kit Attachment consists of:

| Quantity | Description |
|----------|-----------------------------------|
| 4 | Caster |
| 4 | Bracket (with two [2] set screws) |
| 4 | Lockwasher, M12 |
| 4 | Nut, M12 |



WARNING

- **To reduce the risk associated with pinch entanglement and hazardous voltage**
 - Turn off electrical power to the machine before performing any adjustments, maintenance, or servicing the machine.
- **To reduce the risk associated with muscle strain**
 - Use appropriate rigging and material handling equipment when lifting or repositioning this equipment.

Operating Instructions

1. After positioning the case sealer in the desired location, the casters may be locked by pushing the brake lever down .
2. To unlock the casters, lift the brake lever up to allow movement of the case sealer.

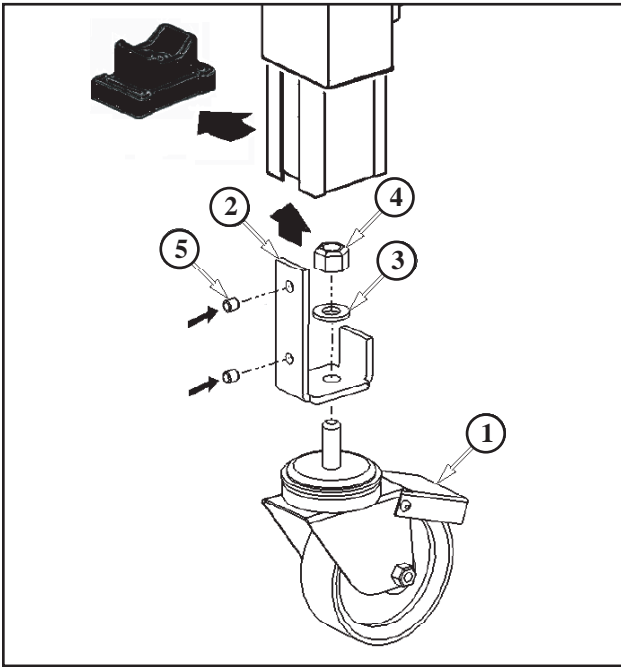


Figure 1 Caster Parts Illustration

Maintenance Lubrication: The caster wheel bearing and swivel bearing require lubrication twice a year with multipurpose grease.

Replacement Parts List

| Ref No. | Part Number | Description |
|---------|----------------|--------------------------------|
| 1 | 26-1009-9096-4 | Caster ← 78-8098-9076-3 |
| 2 | 78-8129-6105-6 | Bracket* |
| 3 | 26-1009-9094-9 | Lockwasher, M12 |
| 4 | 26-1009-9095-6 | Nut, M12 |
| 5 | 10-0000-0030-3 | Setscrew |

* Includes two (2) set screws. See reference number 5 in **Figure 1** and the Replacement Parts List.

How To Order Replacement Parts

1. Refer to Parts Illustration Figure 1 to find part needed and reference number.
2. Refer to parts list for correct part number.
3. Order by part number, description, attachment part number, and name.
4. Replacement parts and part prices available direct from:

CSPD division of Combi Packaging Systems LLC.
5365 East Center Dr. N.E.
Canton, OH 44721
1-800-344-9883
e-mail: CSPD-CSR@combi.com
www.combi.com

Equipment Warranty and Limited Remedy: THE FOLLOWING WARRANTY IS MADE IN LIEU OF ALL OTHER WARRANTIES, EXPRESS OR IMPLIED, INCLUDING, BUT NOT LIMITED TO, THE IMPLIED WARRANTY OF MERCHANTABILITY, THE IMPLIED WARRANTY OF FITNESS FOR A PARTICULAR PURPOSE AND ANY IMPLIED WARRANTY ARISING OUT OF A COURSE OF DEALING, A CUSTOM OR USAGE OF TRADE:

3M warrants that its **3M-Matic™ P/N 70-0064-2998-2 Caster Kit Attachment** will be free from defects for ninety (90) days after delivery. If any part is proved to be defective within the warranty period, then the exclusive remedy and 3M's and seller's sole obligation shall be, at 3M's option, to repair or replace the part, provided the defective part is returned immediately to 3M's factory or an authorized service station designated by 3M. A part will be presumed to have become defective after the warranty period unless the part is received or 3M is notified of the problem no later than five (5) calendar days after the warranty period. If 3M is unable to repair or replace the part within a reasonable time, then 3M, at its option, will replace the equipment or refund the purchase price. 3M shall have no obligation to provide or pay for the labor required to install the repaired or replacement part. 3M shall have no obligation to repair or replace (1) those parts failing due to operator misuse, carelessness, or due to any accidental cause other than equipment failure, or (2) parts failing due to non-lubrication, inadequate cleaning, improper operating environment, improper utilities or operator error.

Limitation of Liability: 3M and seller shall not be liable for direct, indirect, special, incidental or consequential damages based upon breach of warranty, breach of contract, negligence, strict liability or any other legal theory.

The foregoing Equipment Warranty and Limited Remedy and Limitation of Liability may be changed only by a written agreement signed by authorized officers of 3M and seller.



3M Industrial Adhesives and Tape
 3M Center, Building 220-5E-06
 St. Paul, MN 55144-1000

"3M-Matic" is a trademark of 3M,
 St. Paul, Minnesota 55144-1000
 Printed in U.S.A.
 © 3M 2017 70-0064-2998-2 (B041717-NA)