

Instructions and Parts List

3M-Matic™

P/N 78-8052-6553-1 Box Hold Down Attachment

Model 18500

For Use On:

"3M-Matic" Conveyor Extension Attachments

P/N 78-8069-3924-1

(100a, 200a, 700a, 800a, 800a3, 800ab & 700r)

P/N 78-8079-5574-1

(700aks & 700rks)

P/N 78-8095-4862-7

(800r & 800r3)

P/N 78-8114-0949-5

(120a, 120a3, 120ab, 120af & 120af3)

Purpose of Attachment

The Box Hold Down Attachment, when installed on case sealer conveyor extension, provides an easy and convenient means for holding a regular slotted container on the case sealer infeed conveyor area. This frees the operator to use both hands for box filling prior to the sealing operation.

Specifications

Box Hold Down Attachment Consists of:
(See back page for Parts Illustration)

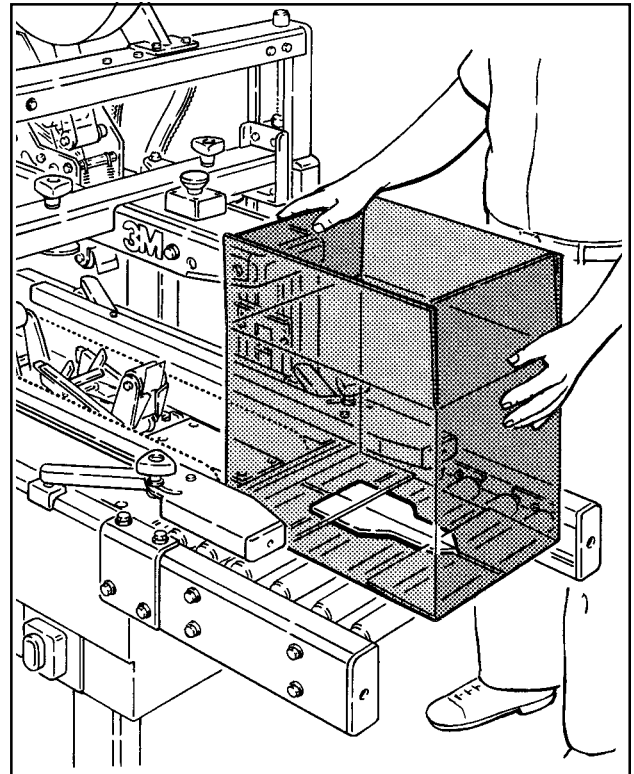
Ref. No.	Qty.	Part No.	Description
1	1	78-8076-4707-4	Box Hold down
2	4	78-8010-7211-3	Screw – Soc Hd M6x25
3	4	26-1000-0010-3	Washer – Flat M6
4	4	78-8010-7418-4	Nut – Hex M6

Overall Dimensions:

Length	260 mm [10-1/4 inches]
Height	50 mm [2-1/8 inches]
Width	100 mm [4 inch]

Weight:

Packaged	365 grams [0.8 lbs]
Unpackaged	230 grams [0.5 lbs]



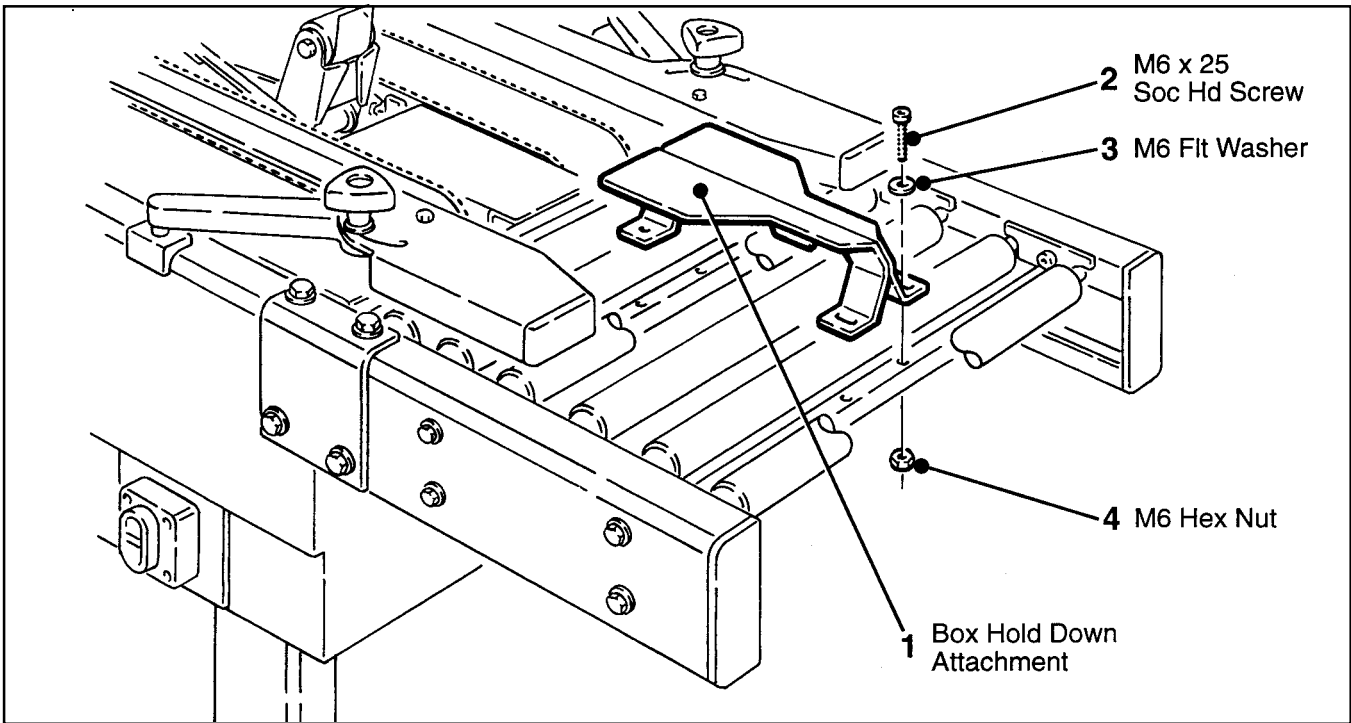
P/N 78-8052-6553-1 – Box Hold Down Attachment –
Installed on Case Sealer Conveyor Extension Attachment
(shown with simulated box set-up)

How To Order Replacement Parts

1. Refer to Parts Illustration, back page, to find part needed and reference number.
2. Refer to parts list for correct part number.
3. Order by **part number, description, attachment part number and name.**
4. Replacement parts and part prices available direct from:

3M/Tape Dispenser Parts
241 Venture Drive
Amery, WI 54001-1325
800/344 9883
FAX # 715/268 8153

Minimum billing on parts orders will be \$25.00.
Replacement part prices available on request.
\$10.00 restocking charge per invoice on returned parts.



Parts Illustration

Installation (See Parts Illustration above)

⚠ WARNING – Turn "Off" and disconnect electrical and air supplies to the machine before beginning installation. Failure to do so could result in injury to personnel or damage to the machine.

1. Place the box hold down over the conveyor rollers and align with four holes on crossbars.
2. Secure the box hold down to crossbars with four each M6 x 25 screws, flat washers and nuts.
Note – If insert nuts are provided in crossbars, the M6 nuts are not used.

Operation

1. Slide a box, with bottom flaps down and closed, into position between the conveyor rollers and box hold down attachment as shown in front cover illustration.
2. Fill the box with product.
3. Close top flaps on the product filled box and move forward for the sealing operation.

Equipment Warranty and Limited Remedy: THE FOLLOWING WARRANTY IS MADE IN LIEU OF ALL OTHER WARRANTIES, EXPRESS OR IMPLIED, INCLUDING, BUT NOT LIMITED TO, THE IMPLIED WARRANTY OF MERCHANTABILITY, THE IMPLIED WARRANTY OF FITNESS FOR A PARTICULAR PURPOSE AND ANY IMPLIED WARRANTY ARISING OUT OF A COURSE OF DEALING, A CUSTOM OR USAGE OF TRADE:

3M warrants that its 3M-Matic™ P/N 78-8052-6553-1, Box Hold Down Attachment, Model 18500 will be free from defects for two (2) years after delivery. If any part is proved to be defective within the warranty period, then the exclusive remedy and 3M's and seller's sole obligation shall be, at 3M's option, to repair or replace the part, provided the defective part is returned immediately to 3M's factory or an authorized service station designated by 3M. A part will be presumed to have become defective after the warranty period unless the part is received or 3M is notified of the problem no later than five (5) calendar days after the warranty period. If 3M is unable to repair or replace the part within a reasonable time, then 3M, at its option, will replace the equipment or refund the purchase price. 3M shall have no obligation to provide or pay for the labor required to install the repaired or replacement part. 3M shall have no obligation to repair or replace: (1) those parts failing due to operator misuse, carelessness, or due to any accidental cause other than equipment failure, or (2) parts failing due to non-lubrication, inadequate cleaning, improper operating environment, improper utilities or operator error.

Limitation of Liability: 3M and seller shall not be liable for direct, indirect, special, incidental or consequential damages based upon breach of warranty, breach of contract, negligence, strict liability or any other legal theory.

The foregoing Equipment Warranty and Limited Remedy and Limitation of Liability may be changed only by a written agreement signed by authorized officers of 3M and seller.



3M Packaging Systems Division

3M Center, Building 220-8W-01
St. Paul, MN 55144-1000

"3M-Matic" is a trademark of 3M,
St. Paul, Minnesota 55144-1000

Printed in U.S.A.

© 3M 1999 34-7004-7463-7(C39.0)