

Instructions and Parts List

3M-Matic™

P/N 78-8095-1134-4 Beacon Assembly

For Use with the Tape Application Monitor on
the following 3M-Matic™ Case Sealers:

**200a, 700a, 700aks, 800a, 800ab, 800a3, and
800af Adjustable Case Sealers**

**700r and 700rks
Random Case Sealers**

Purpose of Attachment

The Beacon Assembly, when used in conjunction with the Tape Application Monitor or Low tape Sensor Kit, provides a means of alerting the operator when a specified condition exists. The amber light located at the top of the light post is illuminated.

Power Requirements

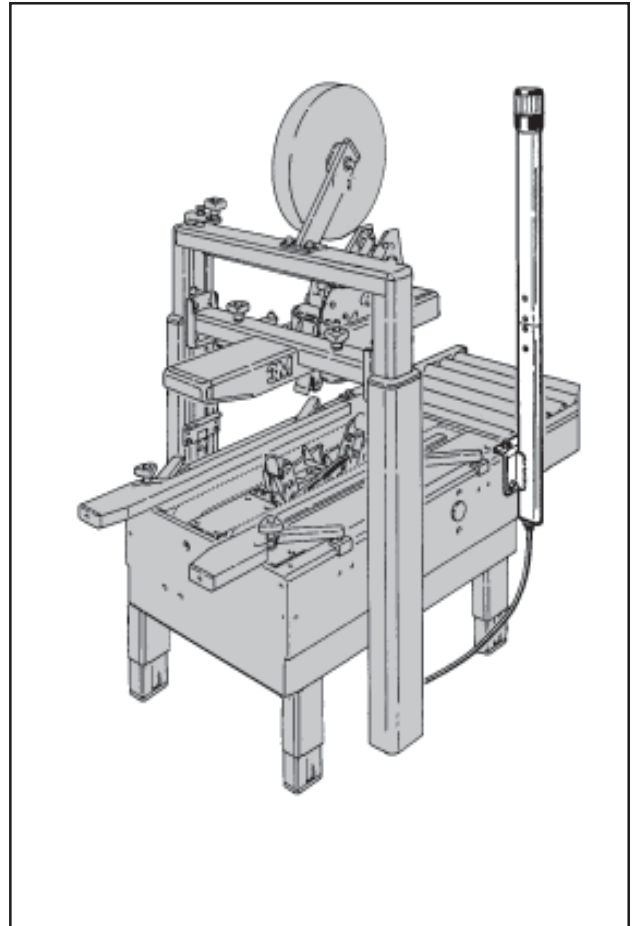
Electrical – 115 VAC, 50/60 Hz,
5 watts

Weight:

Unpackaged: 3.4 kg [8pounds]

Note: Installation Requirements

*It is suggested that this kit be used with
P/N 78-8069-3924-1 Conveyor Extension Attachment.*



Beacon Assembly – Shown installed on 200a Case Sealer with Optional Extension Conveyor.

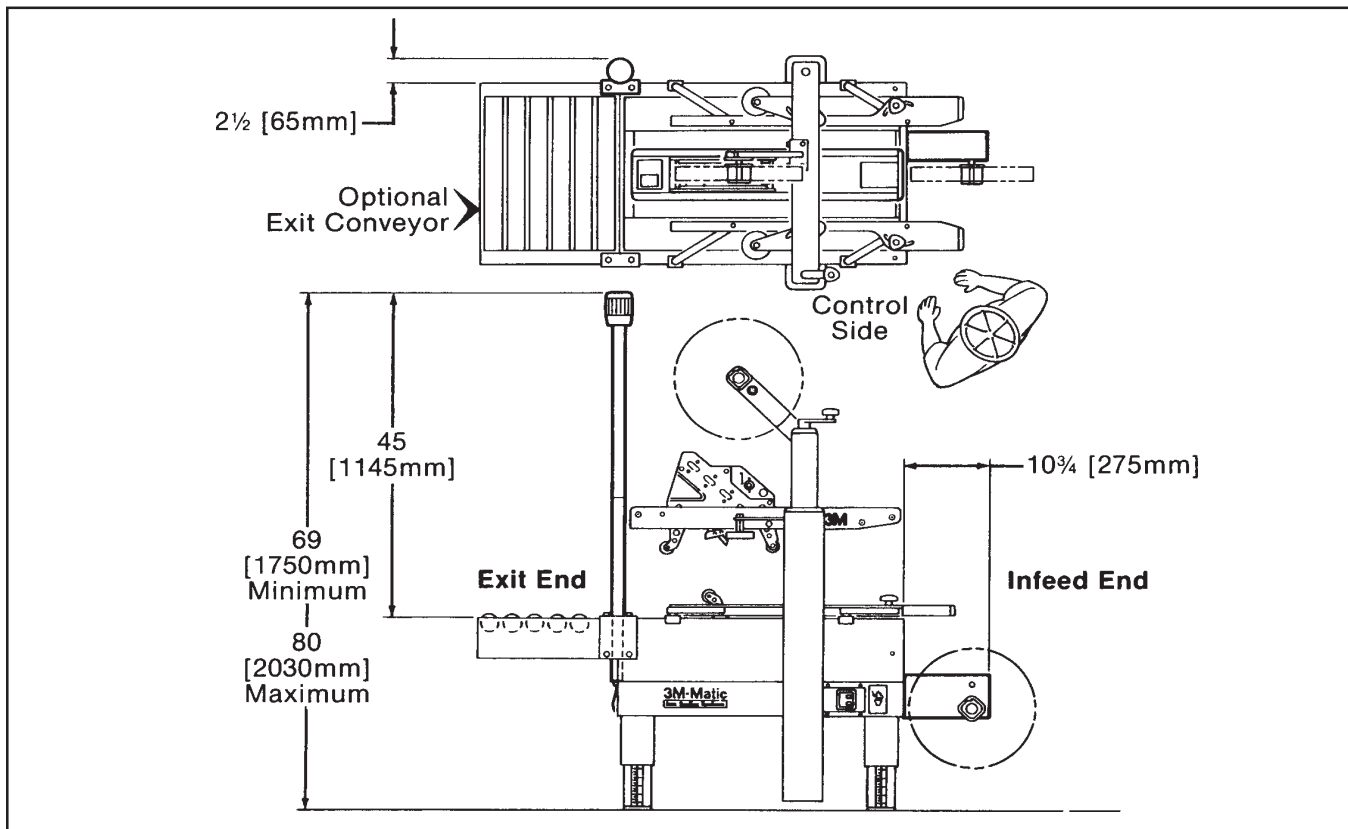


Figure 1 – Mounting Dimensions

Installation Instructions



WARNING

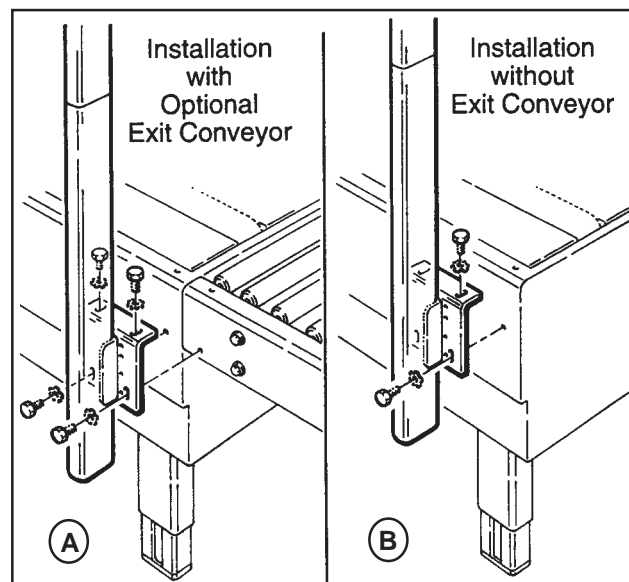
- To reduce the risk associated with pinch, entanglement and hazardous voltage:
 - Turn electrical supply off and disconnect before performing any adjustments, maintenance or servicing the machine

Light Post Assembly

Assemble the two parts of the light post together and secure with the two M5 x 10 buttonhead screws included in the kit. (See next page)

Installation with Optional Exit Conveyor:

The light post mounts at the joint between the conveyor and the body of the case sealer at the exit conveyor. Remove and discard the conveyor cover bracket that covers the joint. Also discard the four hex head cap screws and washers. Mount the light post, as shown (A), where the bracket was removed, using the four M8 x 16 screws and M8 external tooth lock washers included in the kit.



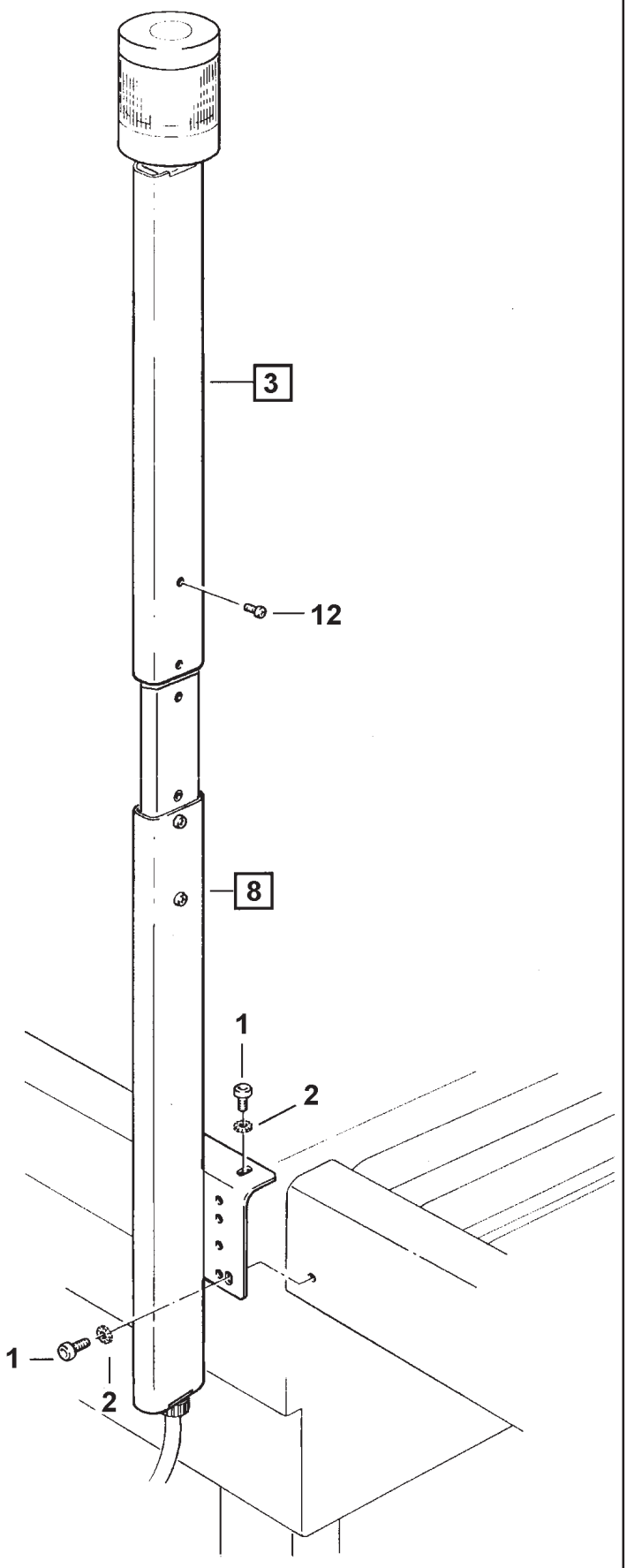
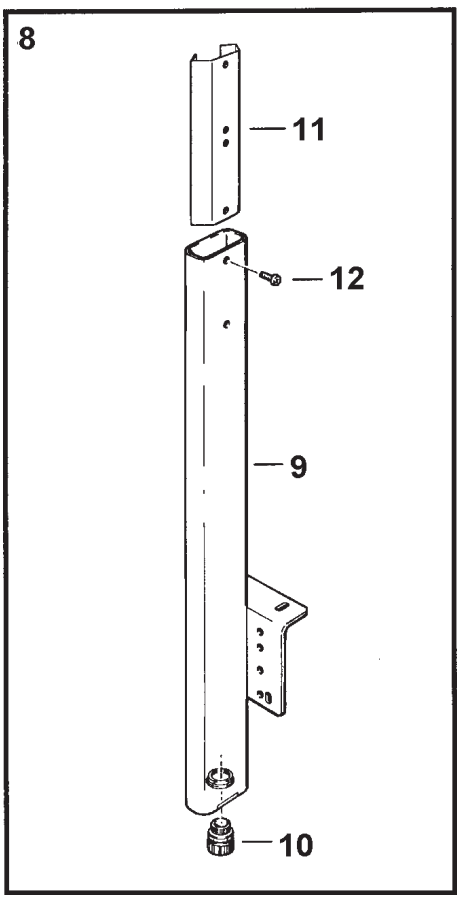
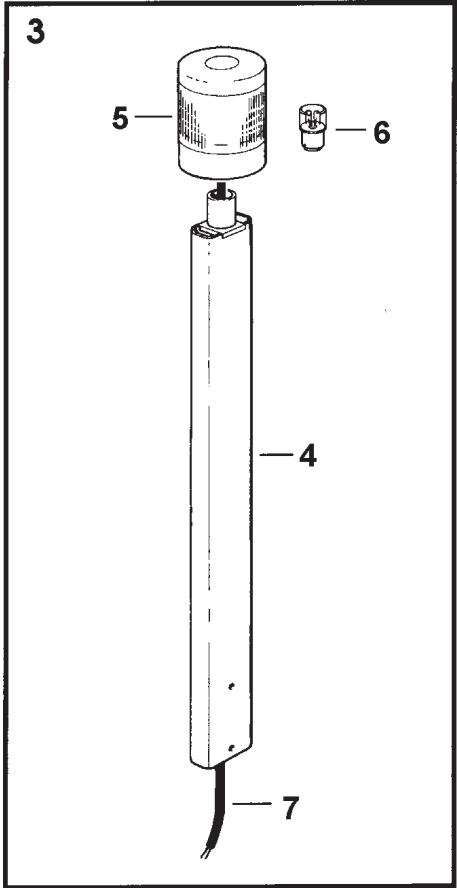
Light Post – Right Rear View

Installation without Optional Conveyor:

Mount the light post to the case sealer, as shown (B), using two M8 x 16 screws and M8 external tooth lock washers included in the kit.

Note: When mounted on 800af, light post can be mounted to the **exit end only**.

Parts Drawing



Replacement Parts List

Ref No.	Part Number	Description
1	26-1003-7963-0	Screw – Soc Hd M8 x 16
2	78-8091-0351-4	Washer – Lock Ext Tooth M8
3	78-8076-4719-9	Support Assembly – Upper
4	78-8076-4720-7	Support – Upper
5	78-8076-4721-5	Lamp Assembly
6	78-8076-4722-3	Lamp
7	78-8060-8053-3	Wire – 3-Pole, 5M Length
8	78-8076-4723-1	Support Assembly – Lower
9	78-8091-0668-1	Support – Lower
10	78-8076-4532-6	Union
11	78-8091-0666-5	Joint
12	78-8060-8087-1	Screw – M5 x 10

How To Order Replacement Parts

1. Refer to Parts Drawings to find part needed and reference number.
2. Refer to parts list for correct part number.
3. Order by part number, description, attachment part number and name.
4. Replacement parts and part prices available direct from:

3M/Tape Dispenser Parts
241 Venture Drive
Amery, WI 54001-1325

800/344 9883
FAX #715/268 8153

**Minimum billing on parts orders will be \$25.00. Replacement part prices available on request.
\$10.00 restocking charge per invoice on returned parts.**

Equipment Warranty and Limited Remedy: THE FOLLOWING WARRANTY IS MADE IN LIEU OF ALL OTHER WARRANTIES, EXPRESS OR IMPLIED, INCLUDING, BUT NOT LIMITED TO, THE IMPLIED WARRANTY OF MERCHANTABILITY, THE IMPLIED WARRANTY OF FITNESS FOR A PARTICULAR PURPOSE AND ANY IMPLIED WARRANTY ARISING OUT OF A COURSE OF DEALING, A CUSTOM OR USAGE OF TRADE:

3M warrants that its **3M-Matic™ Beacon Assembly, P/N 78-8095-1134-4** will be free from defects for ninety (90) days after delivery. If any part is proved to be defective within the warranty period, then the exclusive remedy and 3M's and seller's sole obligation shall be, at 3M's option, to repair or replace the part, provided the defective part is returned immediately to 3M's factory or an authorized service station designated by 3M. A part will be presumed to have become defective after the warranty period unless the part is received or 3M is notified of the problem no later than five (5) calendar days after the warranty period. If 3M is unable to repair or replace the part within a reasonable time, then 3M, at its option, will replace the equipment or refund the purchase price. 3M shall have no obligation to provide or pay for the labor required to install the repaired or replacement part. 3M shall have no obligation to repair or replace: (1) those parts failing due to operator misuse, carelessness, or due to any accidental cause other than equipment failure, or (2) parts failing due to non-lubrication, inadequate cleaning, improper operating environment, improper utilities or operator error.

Limitation of Liability: 3M and seller shall not be liable for direct, indirect, special, incidental or consequential damages based upon breach of warranty, breach of contract, negligence, strict liability or any other legal theory.

The foregoing Equipment Warranty and Limited Remedy and Limitation of Liability may be changed only by a written agreement signed by authorized officers of 3M and seller.



3M Industrial Adhesives and Tapes

3M Center, Building 220-5E-02
St. Paul, MN 55144-1000

"3M-Matic" is a trademark of 3M,
St. Paul, Minnesota 55144-1000

Printed in U.S.A.

© 3M 2007 44-0009-2059-3