

FIGURE 1328 (TOP)

Figure 1328

Ref. No.	3M Part No.	Description
1328-1	78-8052-6556-4	Frame - R/H Top
1328-2	78-8052-6557-2	Frame - L/H Top
1328-3	78-8054-8792-9	Spacer - Hexagonal
1328-4	78-8054-8793-7	Spacer - Upper
1328-5	78-8054-8794-5	Spacer - Front
1328-6	78-8054-8795-2	Spacer - Brush Holder
1328-7	78-8052-6562-2	Buffing Brush Assy.
1328-8	78-8018-7798-2	Screw - Hex Hd. M5 x 15 Zinc Pl.
1328-9	78-8052-6563-0	Bumper
1328-10	78-8054-8796-0	Shaft - Tension Roller
1328-11	78-8054-8797-8	Roller - Top Tension
1328-12	78-8052-6566-3	Washer - Friction
1328-13	78-8017-9077-1	Nut - Self Locking, Hex M10 x 1
1328-14	78-8052-6567-1	Spring - Compression
1328-15	78-8054-8798-6	Shaft - Wrap Roller
1328-16	78-8054-8799-4	Roller - Wrap
1328-17	26-1000-1613-3	Ring - Retaining
1328-18	26-1003-5828-7	Screw - Hex Hd. M6 x 10 Zinc Pl.
1328-19	78-8052-6570-5	Guide
1328-20	83-0002-7336-3	Screw - Hex Hd. M4 x 14 Zinc Pl.
1328-21	78-8010-7416-8	Nut - Hex M4 Zinc Pl.
1328-23	26-1000-0010-3	Washer - Flat M6

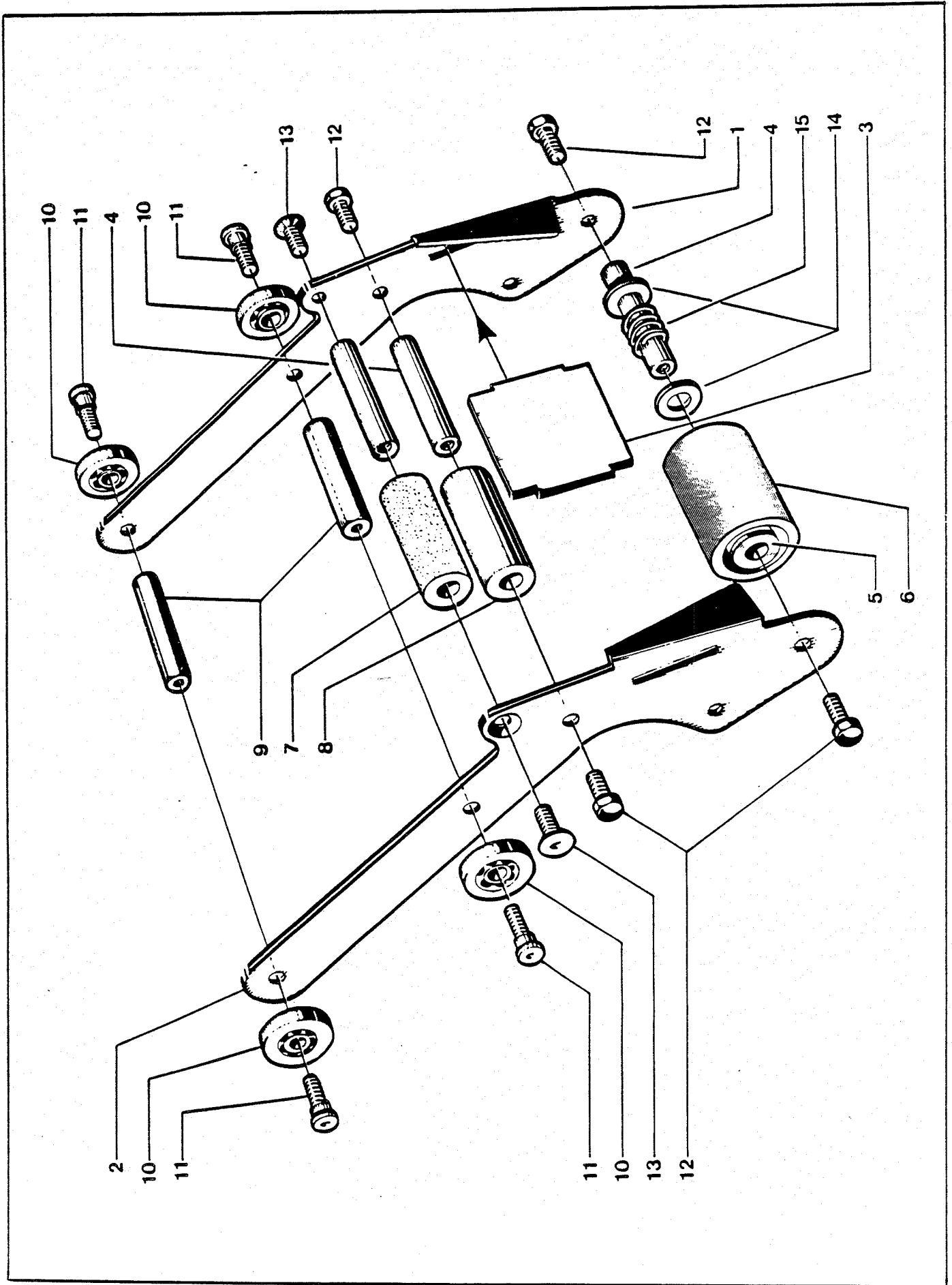


FIGURE 1329

Figure 1329

Ref. No.	3M Part No.	Description
1329-1	78-8052-6572-1	Frame - Applying R/H
1329-2	78-8052-6573-9	Frame - Applying L/H
1329-3	78-8054-8800-0	Plate - Back Up
1329-4	78-8054-8801-8	Shaft - Roller
1329-5	78-8054-8802-6	Bushing - Roller
1329-6	78-8054-8803-4	Roller - Applying
1329-7	78-8054-8804-2	Roller - Knurled
1329-8	78-8054-8805-9	Roller - Wrap
1329-9	78-8054-8806-7	Spacer
1329-10	78-8017-9082-1	Bearing - Special 30 mm
1329-11	78-8017-9106-8	Screw - Bearing Shoulder
1329-12	26-1003-5828-7	Screw - Hex Hd. M6 x 10 Zinc Pl.
1329-13	26-1005-4759-0	Screw - Flat Hd M6 x 12 Zinc Pl.
1329-14	78-8052-6566-3	Washer - Friction
1329-15	78-8052-6567-1	Spring - Compression

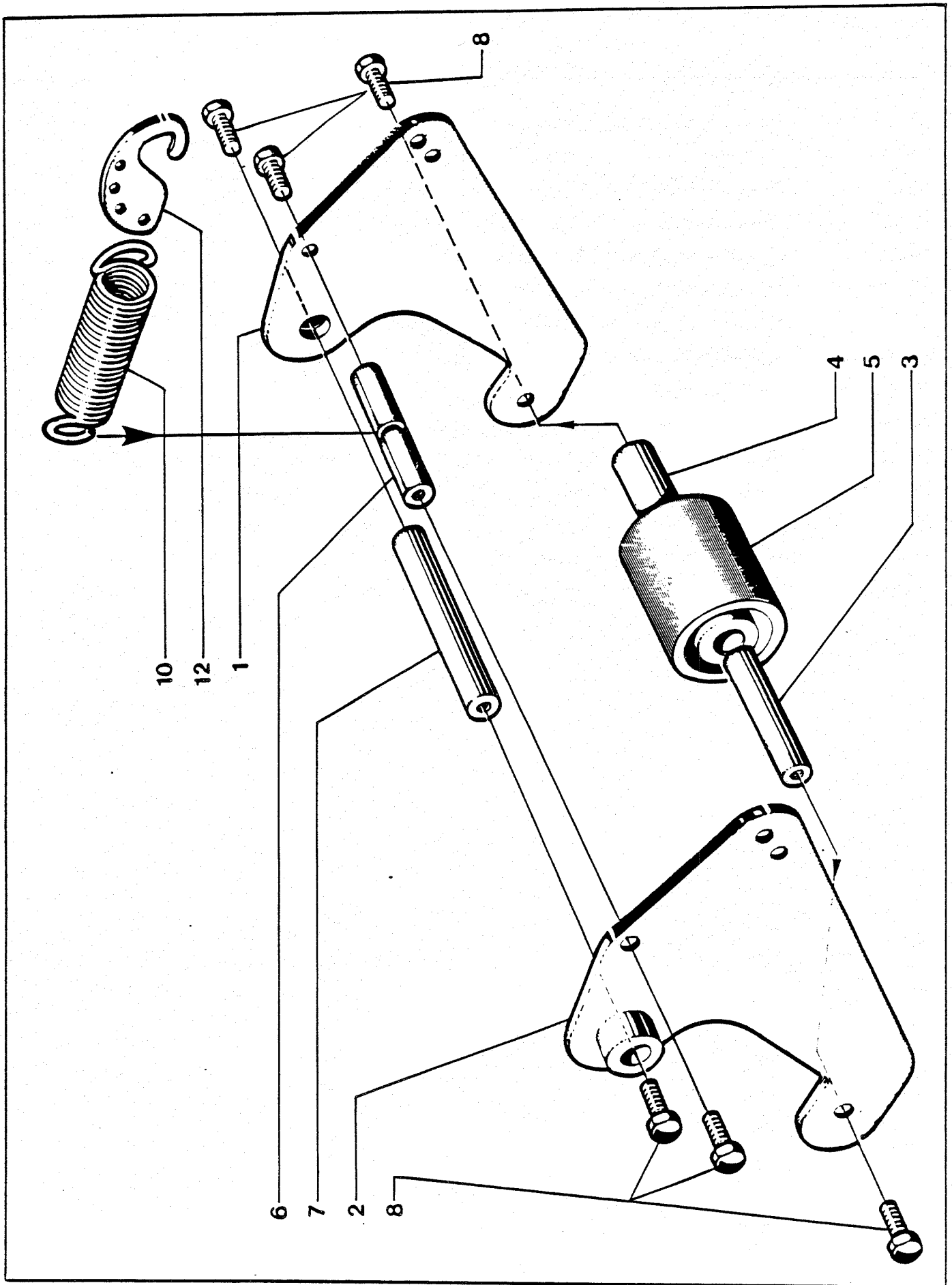


FIGURE 1330 (TOP)

Figure 1330

Ref. No.	3M Part No.	Description
1330-1	78-8052-6583-8	Frame - R/H
1330-2	78-8052-6584-6	Frame - L/H
1330-3	78-8054-8801-8	Shaft - Roller
1330-4	78-8054-8807-5	Bushing - Buffing Roller
1330-5	78-8054-8808-3	Roller - Buffing
1330-6	78-8054-8809-1	Spacer - Spring
1330-7	78-8028-7885-6	Shaft - 10 x 115 mm
1330-8	26-1003-5828-7	Screw - Hex Hd M6 x 10 Zinc P.
1330-10	78-8052-6589-5	Spring - Top Ext.
1330-12	78-8052-6590-3	Holder - Spring

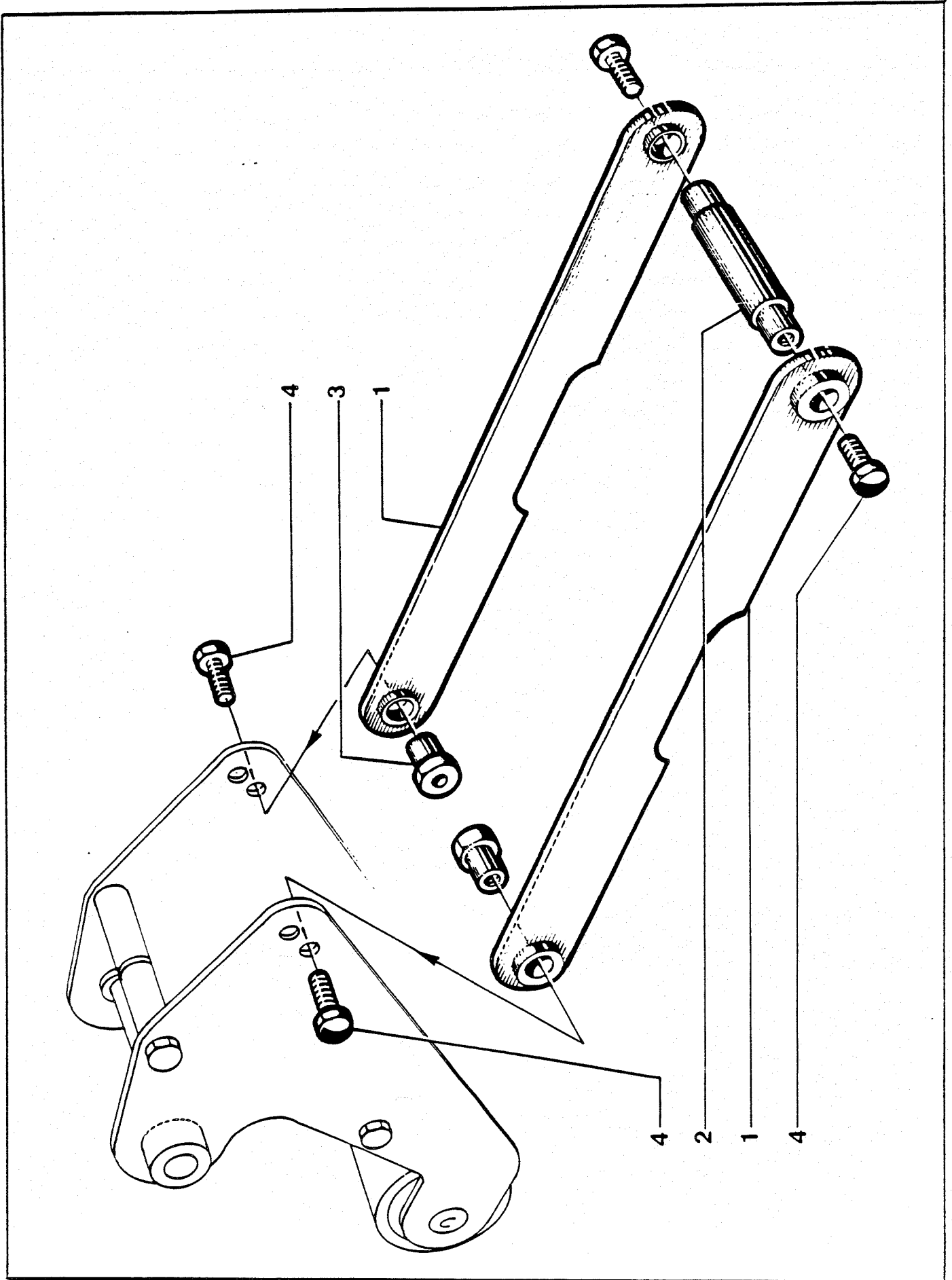


FIGURE 1331

Figure 1331

<u>Ref. No.</u>	<u>3M Part No.</u>	<u>Description</u>
1331-1	78-8052-6592-9	Arm - Link
1331-2	78-8054-8810-9	Shaft - Pivot
1331-3	78-8052-6594-5	Bushing - Pivot
1331-4	78-8010-7163-6	Screw - Hex Hd M5 x 10 Metric

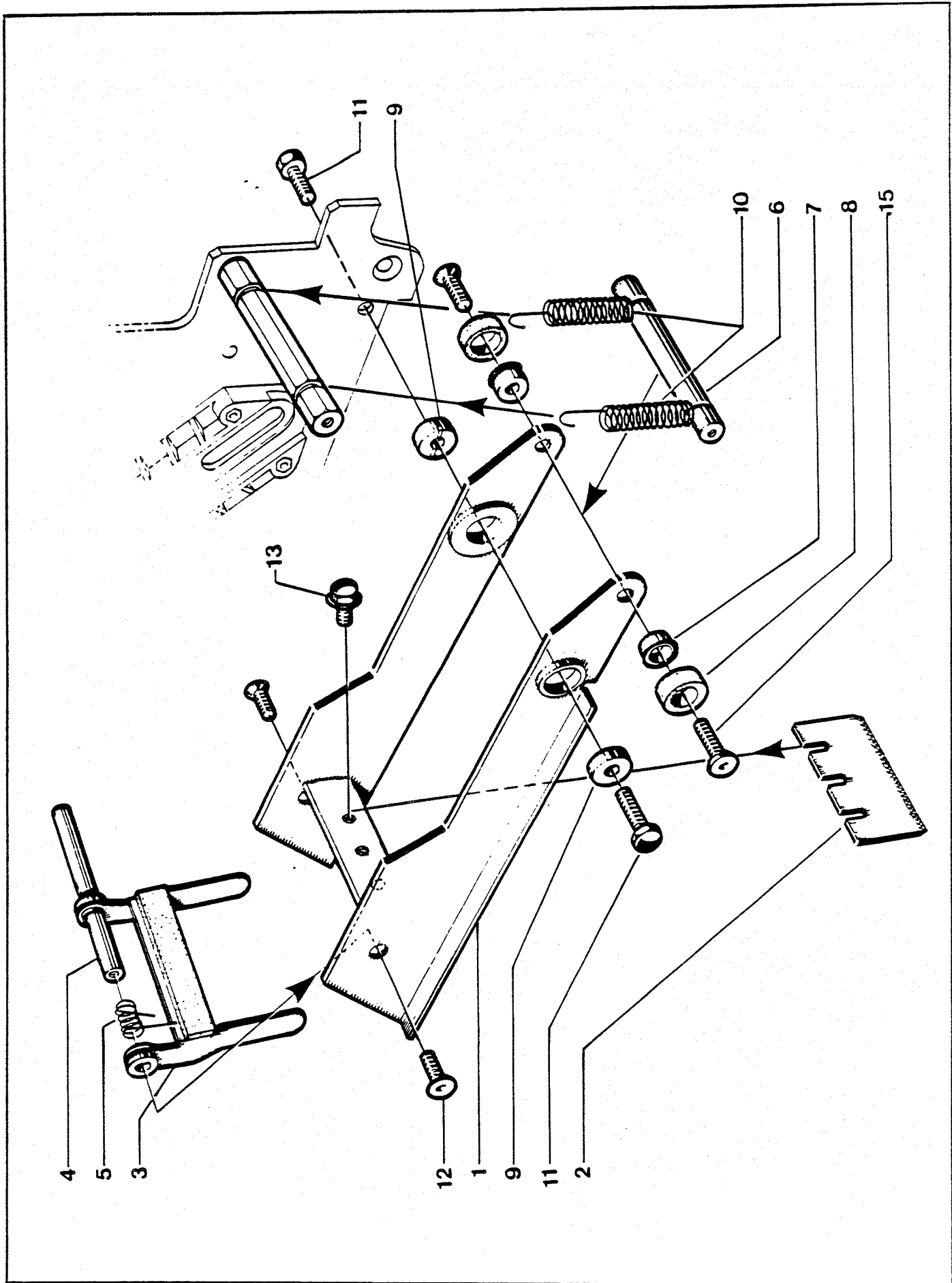


FIGURE 1332

Figure 1332

Ref. No.	3M Part No.	Description
1332-1	78-8054-8811-7	Bracket - Cut-off
1332-2	78-8028-7899-7	Blade - 3.50 inch/89 mm
1332-3	78-8054-8812-5	Guard - Blade
1332-4	78-8054-8813-3	Shaft - Blade Guard
1332-5	78-8052-6598-6	Spring - Tension
1332-6	78-8028-7898-9	Pin- Spring Holder
1332-7	78-8052-6600-0	Sleeve - Bumper
1332-8	78-8017-9133-2	Bumper
1332-9	78-8017-9132-4	Pivot - Cutter Lever
1332-10	78-8052-6602-6	Spring - Cutter
1332-11	26-1003-5828-7	Screw - Hex Hd M6 x 10 Zinc Pl.
1332-12	26-1005-4758-2	Screw - Flat Hd M5 x 20 Zinc Pl.
1332-13	78-8052-6747-9	Screw - Collar M5 x 8 Zinc Pl.
1332-15	26-1005-4757-4	Screw - Flat Hd M4 x 10 Zinc Pl.

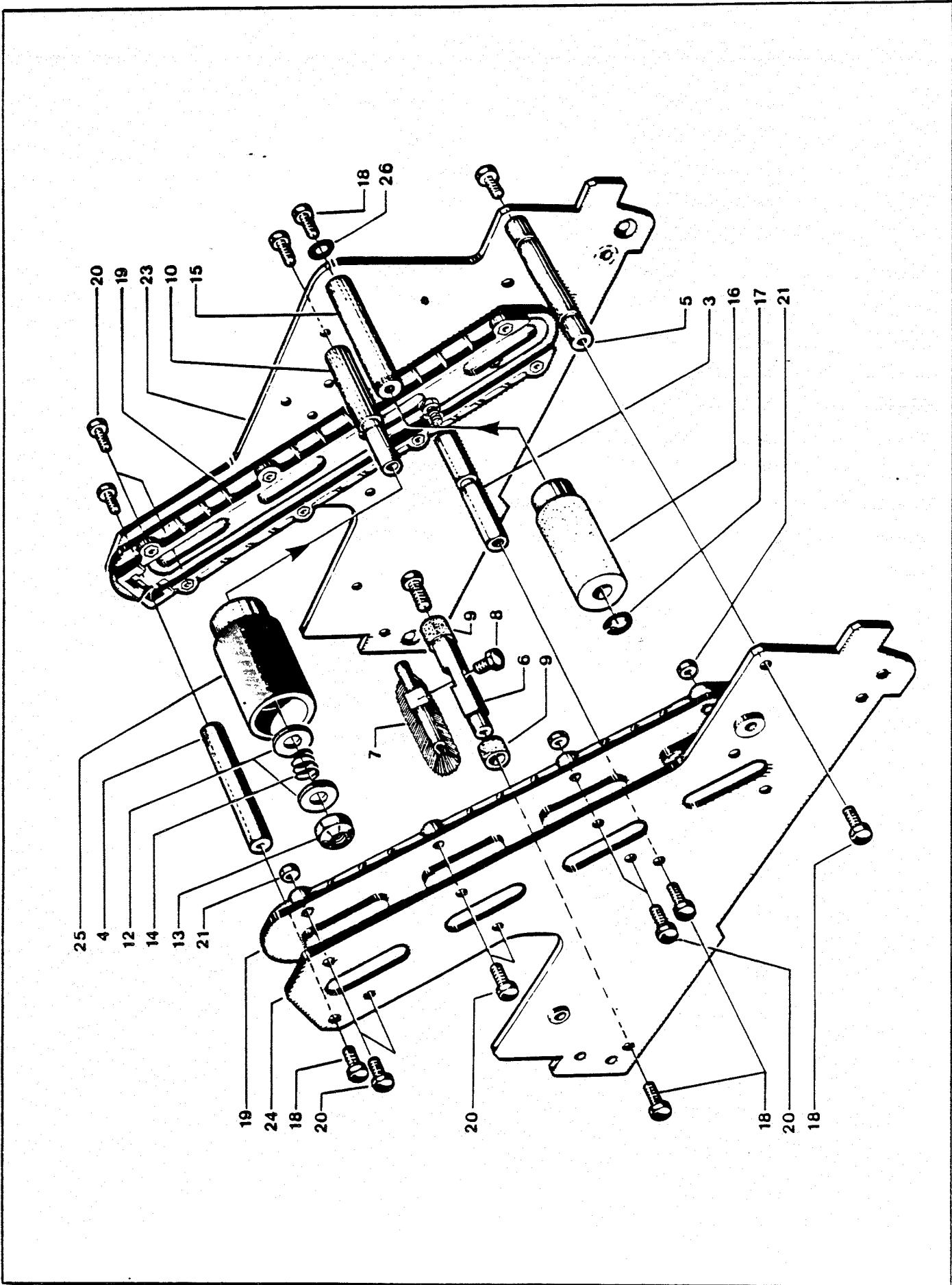


FIGURE 1334 (BOTTOM)

Figure 1334

Ref. No.	3M Part No.	Description
1334-3	78-8054-8792-9	Spacer - Spring Hook
1334-4	78-8054-8793-7	Spacer - Upper
1334-5	78-8054-8794-5	Spacer - Front
1334-6	78-8054-8795-2	Brush Holder
1334-7	78-8052-6562-2	Buffing Brush Assy.
1334-8	78-8018-7798-2	Screw - Hex Hd M5 x 14 Metric
1334-9	78-8052-6563-0	Bumper
1334-10	78-8054-8796-0	Shaft - Tension Roller
1334-12	78-8052-6566-3	Washer - Friction
1334-13	78-8017-9077-1	Nut - Self Locking M10 x 1
1334-14	78-8052-6567-1	Spring - Compression
1334-15	78-8054-8798-6	Shaft - Wrap Roller
1334-16	78-8054-8799-4	Roller 'Wrap
1334-17	26-1000-1613-3	Ring - Retaining
1334-18	26-1003-5828-7	Screw - Hex Hd M6 x 10 Zinc Pl.
1334-19	78-8052-6570-5	Guide
1334-20	83-0002-7336-3	Screw - Hex Hd M4 x 14 Zinc. Pl.
1334-21	78-8010-7416-8	Nut - Hex M4 Steel Metric
1334-23	78-8052-6604-2	Frame - L/H Bottom
1334-24	78-8052-6605-9	Frame - R/H Bottom
1334-25	78-8054-8817-4	Roller - Tension Bottom
1334-26	26-1000-0010-3	Washer - Flat M6

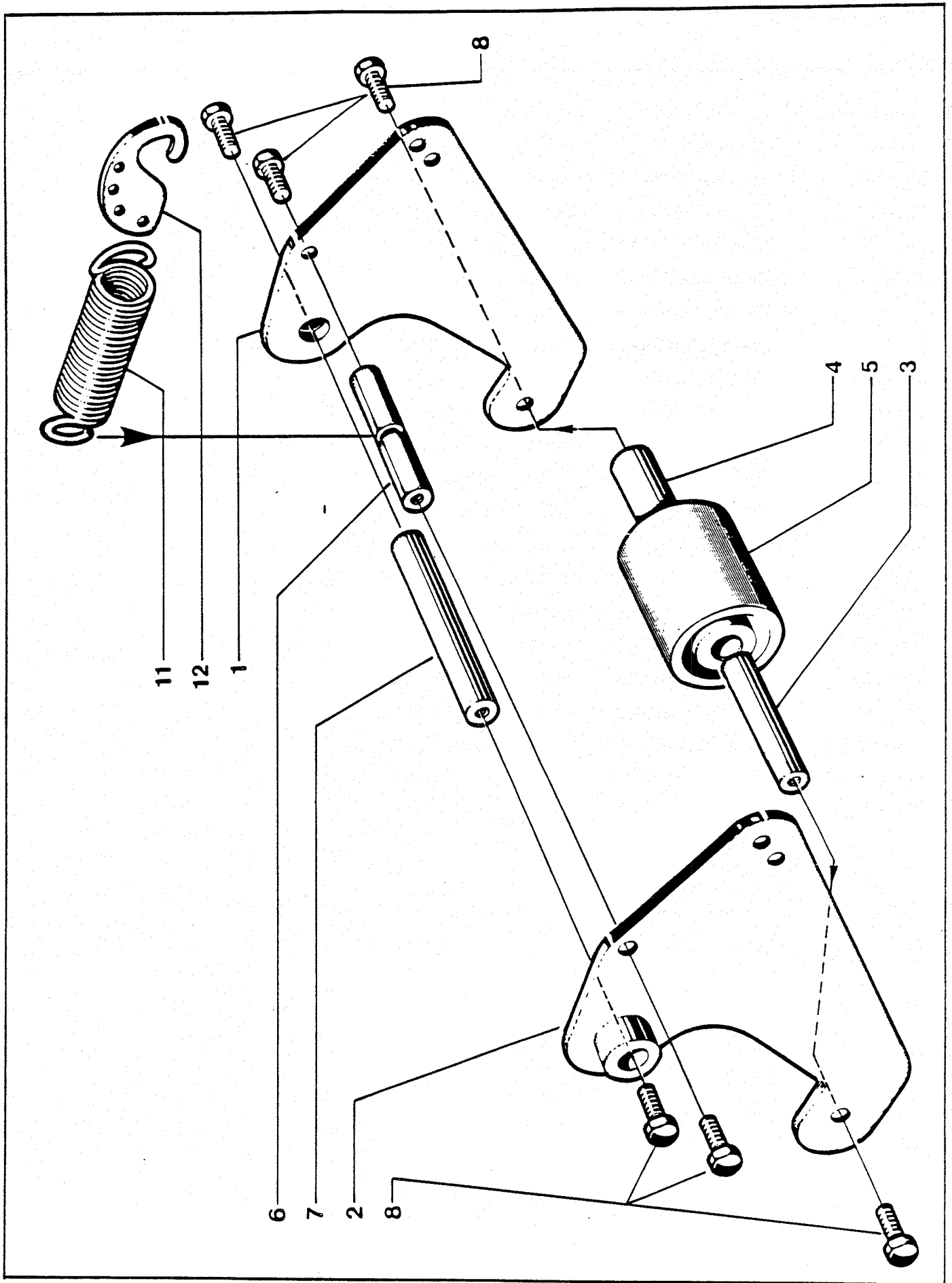


FIGURE 1335 (BOTTOM)

Figure 1335

Ref. No.	3M Part No.	Description
1335-1	78-8052-6583-8	Frame - R/H
1335-2	78-8052-6584-6	Frame - L/H
1335-3	78-8054-8801-8	Shaft - Roller
1335-4	78-8054-8807-5	Bushing - Buffing Roller
1335-5	78-8054-8808-3	Roller - Buffing
1335-6	78-8054-8809-1	Spacer - Spring
1335-7	78-8028-7885-6	Shaft - 10 x 115 mm
1335-8	26-1003-5828-7	Screw - Hex Hd M6 x 10 Zinc Pl.
1335-11	78-8054-8550-1	Main Spring - Bottom Head
1335-12	78-8052-6590-3	Holder - Spring

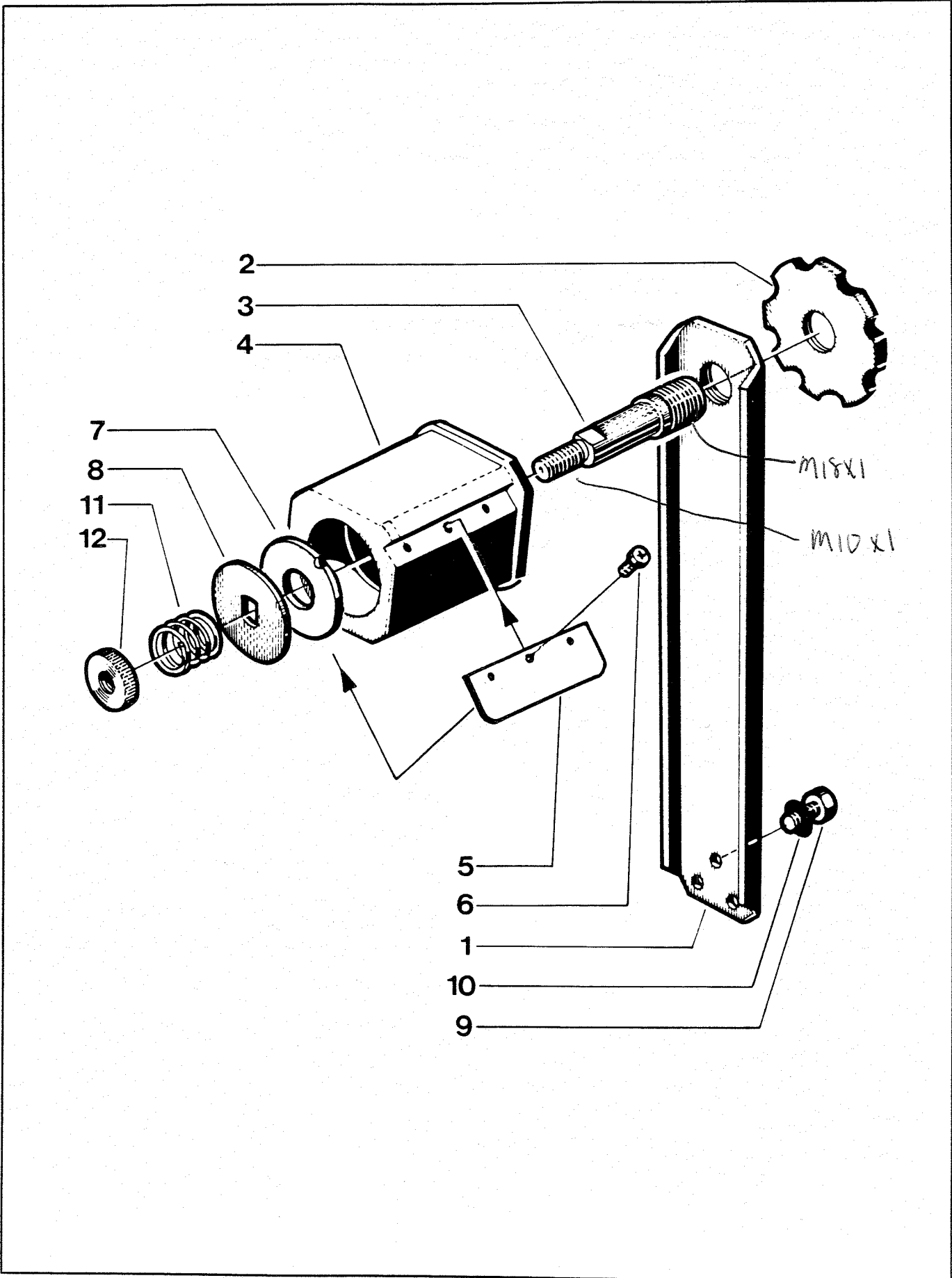


Figure 1980

Figure 1980

<u>Ref. No.</u>	<u>3M Part No.</u>	<u>Description</u>
1980-1	78-8052-6544-0	Bracket - Tape Drum
1980-2	78-8017-9091-2	Plate - Locking, Tape Drum Shaft
1980-3	78-8060-7850-3	Shaft, Tape Drum
1980-4	78-8054-8815-8	Tape Drum Assembly
1980-5	78-8054-8816-6	Leaf Spring
1980-6	26-1002-5753-9	Screw - Self Tapping
1980-7	78-8052-6270-2	Washer - Friction
1980-8	78-8052-6271-0	Washer - Tape Drum
1980-9	26-1003-5828-7	Screw - Hex Hd M-6X12 Zinc Pl
1980-10	26-1000-0010-3	Washer - Flat M6
1980-11	78-8054-8826-5	Spring
1980-12	78-8060-7851-1	Ring Nut, Adjusting

