



## Instructions and Parts List

**3M-Matic**<sup>TM</sup>

**800a3**    Type 40800

**Adjustable  
Case Sealer**

**with**

**AccuGlide**<sup>TM</sup> **3**  
**Taping Heads**

Serial No. \_\_\_\_\_  
For reference, record machine serial number here.



**3M Industrial Adhesives and Tapes**  
3M Center, Building 220-5E-06  
St. Paul, MN 55144-1000



### Important Safety Information

BEFORE INSTALLING  
OR OPERATING THIS  
EQUIPMENT

Read, understand, and  
follow all safety and  
operating instructions.

### Spare Parts

It is recommended you  
immediately order the  
spare parts listed in the  
"Spare Parts/Service  
Information" section.

These parts are expected  
to wear through normal  
use, and should be kept  
on hand to minimize  
production delays.

"3M-Matic" and "AccuGlide" are Trademarks of,  
3M St. Paul, MN 55144-1000  
Printed in U.S.A.

© 3M 2011 44-0009-2081-7 (D092311-NA)



This instruction manual covers safety aspects, handling and transport, storage, unpacking, preparation, installation, operation, adjustments, maintenance, troubleshooting, repair work and servicing plus parts list of the **3M-Matic™ 800a3** Adjustable case sealer.

**3M Industrial Adhesives and Tapes**  
**3M Center, Building 220-5E-06**  
**St. Paul, MN 55144-1000**

Edition September 2011

Copyright 3M 2011  
All rights reserved

The manufacturer reserves the right to change the product at any time without notice.

---

## Replacement Parts and Service Information

---

### To Our Customers:


This is the 3M-Matic™/AccuGlide™/Scotch® equipment you ordered. It has been set up and tested in the factory with Scotch® tapes. If technical assistance or replacement parts are needed, call or fax the appropriate number listed below.

Included with each machine is an Instructions and Parts List manual.

### Technical Assistance / Replacement Parts and Additional Manuals:

Contact your local service provider. Provide the customer support coordinator with the model/machine name, machine type, and serial number that are located on the identification plate (For example: Model 800a3 - Type 40800 - Serial Number 13282).

#### Identification Plate

<b>3M</b> 3M Company St. Paul, MN 55144 USA	Part Number <input type="text"/>	<b>3M-Matic™</b>		
Model <input type="text"/>	Serial Number <input type="text"/>	Year <input type="text"/>	Ampere <input type="text"/>	Watt <input type="text"/>
Type <input type="text"/>		Volt <input type="text"/>	Hertz <input type="text"/>	Phase <input type="text"/>

Minimum billing on parts orders will be \$25.00. Replacement part prices available on request.  
\$10.00 restocking charge per invoice on returned parts



**3M Industrial Adhesives and Tapes**  
3M Center, Building 220-5E-06  
St. Paul, MN 55144-1000

3M-Matic™, AccuGlide™ and Scotch™  
are Trademarks of  
3M St. Paul, MN 55144-1000  
Printed in U.S.A.

THIS PAGE IS BLANK

## Replacement Parts And Service Information

---

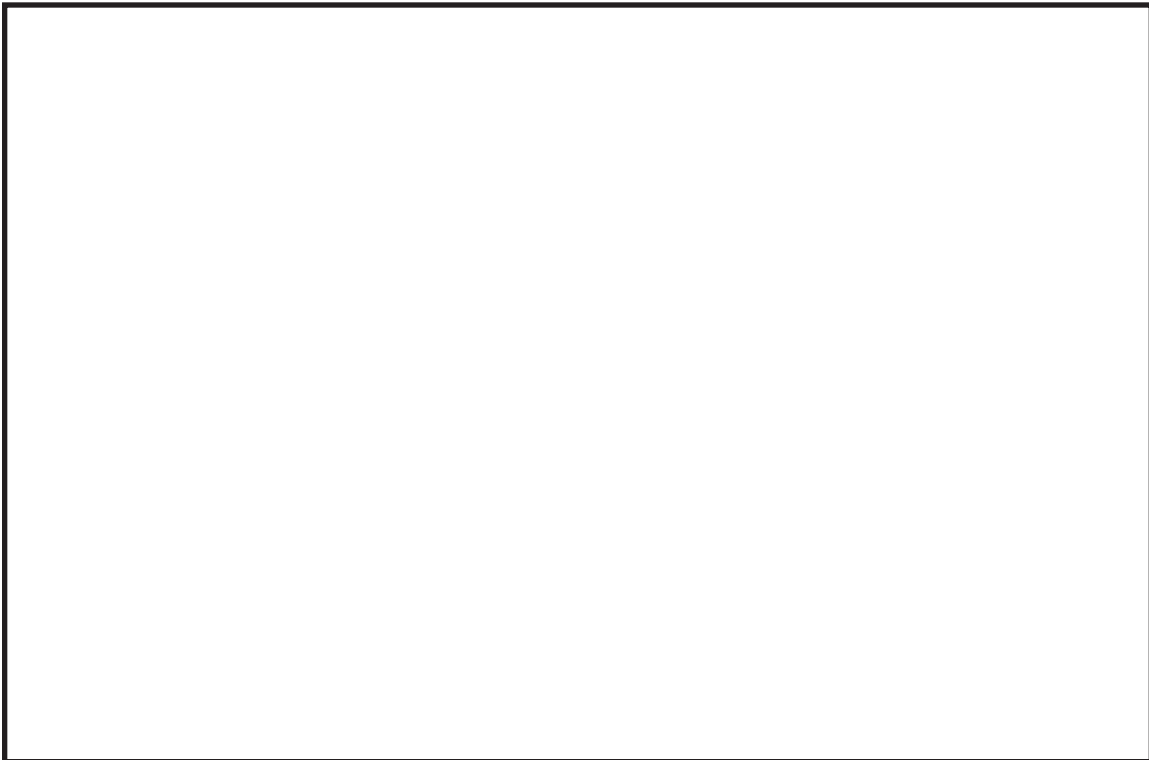
### To Our Customers:

This is the 3M-Matic™/AccuGlide™/Scotch® equipment you ordered. It has been set up and tested in the factory with Scotch® tapes. If any problems occur when operating this equipment and you desire a service call or phone consultation, call, write, or fax the appropriate number listed below.

Included with each machine is an Instructions and Parts List manual.

### SERVICE, REPLACEMENT PARTS, AND ADDITIONAL MANUALS

#### AVAILABLE DIRECT FROM:



Order parts by part number, part description, and quantity required. Also, when ordering parts or additional manuals, include model/machine name, machine type, and serial number that are located on the identification plate.



**3M Industrial Adhesives and Tapes**  
3M Center, Building 220-5E-06  
St. Paul, MN 55144-1000

3M-Matic™, AccuGlide™ and Scotch™  
are Trademarks of  
3M, St. Paul, MN 55144-1000  
Printed in U.S.A.

THIS PAGE IS BLANK

**TABLE OF CONTENTS - MANUAL 1: 800a3 Adjustable Case Sealer**  
**(For Taping Head Information - See MANUAL 2: AccuGlide™ 3 Taping Heads - 3 inch)**

<b>800a3 Adjustable Case Sealer</b>	<b>Page</b>
Cover Page	
Replacement Parts and Service Information .....	i - ii
Table of Contents .....	iii - v
Acronyms and Abbreviations .....	vi
<b>1. Introduction</b>	
1.1 Manufacturing Specifications / Description / Intended Use .....	1 - 2
1.2 How to Read and Use the Manual .....	2
1.2.1 Importance of the Manual .....	2
1.2.2 Manual Maintenance .....	2
1.2.3 Consulting the Manual .....	2
1.2.4 How to Update the Manual in Case of Modifications .....	2
<b>2. General Information</b>	
2.1 Identification Data .....	3
2.2 After-Sale Service .....	3
2.3 Warranty / Contents .....	4
<b>3. Safety</b>	
3.1 General Safety Information .....	5
3.2 Signal Words Explanation .....	5
3.3 Table of Warnings .....	6 - 7
3.4 Operator's Qualifications Definition .....	8
3.5 Number of Operators .....	8
3.6 Safe Use of the Machine Instructions .....	8
3.7 Residual Hazards .....	8
3.8 Prevent Other Hazards - Recommendations and Measures .....	8
3.9 Personal Safety Measures .....	8
3.10 Incorrect / Predictable Actions Not Allowed .....	8
3.11 Operator's Required Skill Levels .....	9
3.12 Component Locations .....	10
3.13 Table of Warnings and Replacement Labels .....	11
<b>4. Technical Specifications</b>	
4.1 Power Requirements .....	12
4.2 Operating Rate .....	12
4.3 Operating Conditions .....	12
4.4 Tape .....	12
4.5 Tape Width .....	12
4.6 Tape Roll Diameter .....	13
4.7 Tape Application Leg Length - Standard .....	13
Tape Application Leg Length - Optional	
4.8 Box Board .....	13
4.9 Box Weight and Size Capacities .....	13
4.10 Machine Noise Levels .....	14
4.11 Machine Dimensions .....	14
4.12 Set-Up Recommendations .....	14

THIS PAGE IS BLANK



## TABLE OF CONTENTS (continued)

---

### 5. Shipment, Handling, and Storage

5.1 Packed Machine Shipment and Handling .....	15
5.2 Overseas Shipment Packaging (Optional) .....	15
5.3 Handling and Transportation of Uncrated Machine .....	15
5.4 Machine Storage .....	15

### 6. Unpacking

6.1 Uncrating .....	16
6.2 Packaging Materials Disposal .....	16

### 7. Installation

7.1 Operating Conditions .....	17
7.2 Space Requirements for Machine Operation and Maintenance .....	17
7.3 Tool Kit Supplied with the Machine .....	17
7.4 Machine Positioning / Machine Set-Up .....	17
7.5 Plastic Ties Removal .....	18
7.6 Assembly Completion .....	18
7.7 Taping Heads Completion .....	19
7.8 Outboard Tape Roll Holder .....	19
7.9 Preliminary Electric Inspection .....	19
7.10 Main Power Machine Connection and Inspection .....	19
7.11 Phases Inspection .....	19

### 8. Theory of Operation

8.1 Working Cycle Description .....	20
8.2 Running Mode Definition .....	20
8.3.1 Normal Stop Procedure .....	20
8.3.2 Emergency Stop .....	20

### 9. Controls

9.1 Box Width Adjusting Knobs .....	21
9.2 Box Height Adjusting Crank .....	21
9.3 Start / Stop Main Switch .....	21
9.4 Emergency Stop Button (Latching) .....	21

### 10. Safety devices

10.1 Blade Guards .....	22
10.2 Emergency Stop Button .....	22
10.3 Electric System / Circuit Breaker .....	22

### 11. Set-Up and Adjustments

11.1 Box Width Adjustment .....	23
11.2 Box Height Adjustment .....	23
11.3 Top Flap Compression Roller Adjustment .....	23
11.4 Changing the Tape Leg Length .....	23
11.5 Run Boxes to Check Adjustment .....	23

THIS PAGE IS BLANK

**TABLE OF CONTENTS (continued)**

---

**12. Operation**

12.1 Operator's Correct Working Position ..... 24  
12.2 Starting the Machine ..... 24  
12.3 Starting Production ..... 24  
12.4 Tape Replacement ..... 24  
12.5 Box Size Adjustment ..... 24  
12.6 Cleaning ..... 24  
12.7 Table of Adjustments ..... 24  
12.8 Safety Devices Inspection ..... 24  
12.9 Trouble Shooting ..... 25

**13. Maintenance**

13.1 Safety Measures (see section 3) ..... 26  
13.2 Tools and Spare Parts Supplied with Machine ..... 26  
13.3 Maintenance Operations - Recommended Inspections and Frequency ..... 26  
13.4 Inspections to be Performed Before and After Every Maintenance Operation ..... 26  
13.5 Safety Features (Inspection Efficiency) ..... 26  
13.6 Machine Cleaning ..... 26  
13.7 Cutter Blade Cleaning ..... 26  
13.8 Drive Belt Replacement ..... 27 - 28  
13.9 Drive Pulley Ring ..... 28  
13.10 Drive Belt Tension ..... 29  
13.11. Special Set-Up Procedures ..... 29 - 35  
    13.11.1 Case Sealer Frame ..... 29  
    13.11.2 Taping Heads ..... 30 - 31  
    13.11.3 Drive Belt Assembly Height ..... 31  
    13.11.4 Box Height Range (Outer Column Repositioning) ..... 32 - 35  
13.12 Maintenance Work Log ..... 37

**14. Additional Instructions**

14.1 Machine Disposal Information ..... 39  
14.2 Fire emergency ..... 39

**15. Enclosures and Special Information**

15.1 Statement of Conformity ..... 39  
15.2 Hazardous Substances Emission ..... 39

**16. Technical Documentation and Information**

16.1 Electric Diagrams ..... 41  
16.2 Spare Parts / Ordering ..... 42 - 43

**Drawings and Parts Lists** ..... 45 - End of Manual

**TAPING HEAD INFORMATION -  
MANUAL 2: AccuGlide™ 3 Taping Heads - 3 inch (See MANUAL 2 for Table of Contents)**

## ABBREVIATIONS AND ACRONYMS

---

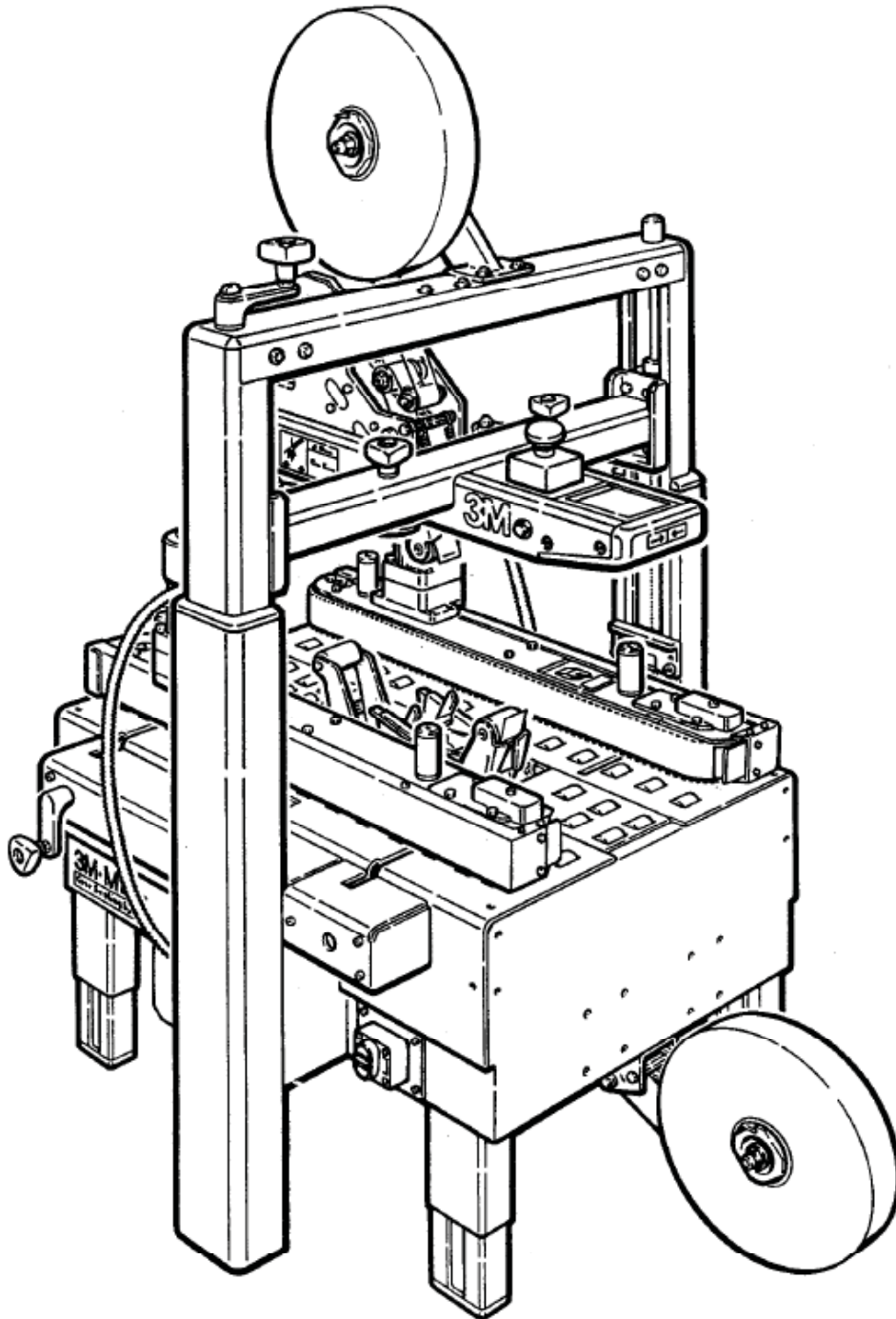
### LIST OF ABBREVIATIONS, ACRONYMS

3M-Matic	- Trademark of 3M St. Paul, MN 55144- 1000
AccuGlide	- Trademark of 3M St. Paul, MN 55144-1000
Scotch	- Trademark of 3M St. Paul, MN 55144-1000
Drw.	- drawing
Ex.	- for example
Fig.	- exploded view figure no. (spare parts)
Figure	- Illustration
Max.	- maximum
Min.	- minimum
Nr.	- number
N/A	- not applicable
OFF	- machine not operating
ON	- machine operating
PLC	- Programmable Logic Control
PP	- Polypropylene
PTFE	- Polytetraflourethelene
PU/PU Foam	- Polyurethane Foam
PVC	- Poly-vinyl chloride
W	- Width
H	- Height
L	- Length

## 1-INTRODUCTION

### 1.1 Manufacturing Specifications / Description / Intended Use

The **3M-Matic™ 800a3 Adjustable Case Sealer with AccuGlide™ 3** Taping Heads is designed to apply a “C” clip of **Scotch®** pressure-sensitive film box sealing tape to the top and bottom center seam of regular slotted containers. The 800a3 is manually adjustable to a wide range of box sizes (see "Specifications Section – Box Weight and Size Capacities").



**3M-Matic™ 800a3 Adjustable Case Sealer, Type 40800**

**Note** – Shown above is the lower tape supply roll and bracket assembly in the alternate location.

### 1.1 Manufacturing Specifications / Description / Intended Use (continued)

The 3M-Matic™ case sealing machines have been designed and manufactured in compliance with the legal requirements at the date of inception.

### 1.2 How to Read and Use the Instruction Manual

This instruction manual covers safety aspects, handling and transport, storage, unpacking, preparation, installation, operation, set-up and adjustments, technical and manufacturing specifications, maintenance, troubleshooting, repair work and servicing, electric diagrams, warranty information, disposal (ELV), a definition of symbols, plus a parts list of the 3M-Matic™ 800a3 Adjustable case sealer  
3M Industrial Adhesives and Tapes Division 3M Center, Bldg. 220-5E-06 St. Paul, MN 55144-1000 (USA)  
Edition September 2011 Copyright 3M 2011 All rights reserved. The manufacturer reserves the right to change the product at any time without notice Publication © **3M 2011 44-0009-2081-7**.

#### 1.2.1 Importance of the Manual

The manual is an important part of the machine; all information contained herein is intended to enable the equipment to be maintained in perfect condition and operated safely. Ensure that the manual is available to all operators of this equipment and is kept up to date with all subsequent amendments. Should the equipment be sold or disposed of, please ensure that the manual is passed on. Electrical and pneumatic diagrams are included in the manual. Equipment using PLC controls and/or electronic components will include relevant schematics or programs in the enclosure and in addition, the relevant documentation will be delivered separately.

### 1.2.2 Manual Maintenance

Keep the manual in a clean and dry place near the machine. Do not remove, tear, or rewrite parts of the manual for any reason. Use the manual without damaging it. In case the manual has been lost or damaged, ask your after sale service for a new copy.

### 1.2.3 Consulting the Manual

The manual is composed of:

- Pages which identify the document and the machine
- Index of the subjects
- Instructions and notes on the machine
- Enclosures, drawings and diagrams
- Spare parts (last section)

All pages and diagrams are numbered. The spare parts lists are identified by the figure identification number. All the notes on safety measures or possible dangers are identified by the symbol:



### 1.2.4 How to Update the Manual in Case of Modifications to the Machine

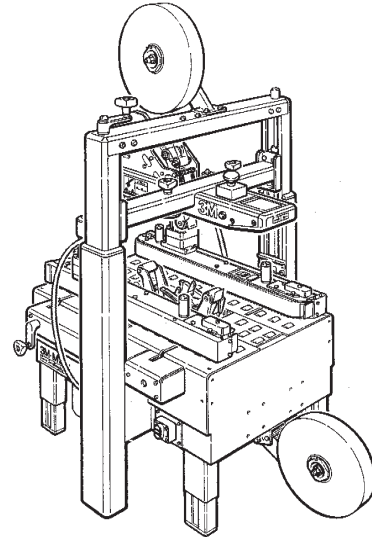
Modifications to the machine are subject to manufacturer's internal procedures. The user receives a complete and up-to-date copy of the manual together with the machine. Afterwards the user may receive pages or parts of the manual which contain amendments or improvements made after its first publication. The user must use them to update this manual.


## 2-GENERAL INFORMATION

---

### 2.1 Data Identifying Manufacturer and Machine

<b>3M</b> <b>3M Industrial Adhesives and Tapes</b>  3M Center Bldg. 220-5E-06 St. Paul, MN 55144-1000 (USA)
---



<b>3M</b> 3M Company St. Paul, MN 55144 USA	Part Number <input type="text"/>	<b>3M-Matic™</b>			 4000588
Model <input type="text"/>	Serial Number <input type="text"/>	Year <input type="text"/>	Ampere <input type="text"/>	Watt <input type="text"/>	
Type <input type="text"/>		Volt <input type="text"/>	Herz <input type="text"/>	Phase <input type="text"/>	

### 2.2 Data for Technical Assistance and Service

<p><b>AGENT/DISTRIBUTOR OR LOCAL AFTER SALE SERVICE:</b></p>
--

### 2.3 Warranty

**Equipment Warranty and Limited Remedy: THE FOLLOWING WARRANTY IS MADE IN LIEU OF ALL OTHER WARRANTIES, EXPRESS OR IMPLIED, INCLUDING, BUT NOT LIMITED TO, THE IMPLIED WARRANTY OF MERCHANTABILITY, THE IMPLIED WARRANTY OF FITNESS FOR A PARTICULAR PURPOSE AND ANY IMPLIED WARRANTY ARISING OUT OF A COURSE OF DEALING, A CUSTOM OR USAGE OF TRADE:**

3M sells its **3M-Matic™ 800a3 Adjustable Case Sealer, Type 40800** with the following warranties:

1. The drive belts and the taping head knives, springs and rollers will be free from all defects for ninety (90) days after delivery.
2. All other taping head parts will be free from all defects for three (3) years after delivery.
3. All other parts will be free from all defects for two (2) years after delivery.

If any part is proved to be defective within its warranty period, then the exclusive remedy and 3M's and seller's sole obligation shall be, at 3M's option, to repair or replace the part, provided the defective part is returned immediately to 3M's factory or an authorized service station designated by 3M. A part will be presumed to have become defective after its warranty period unless the part is received or 3M is notified of the problem no later than five (5) calendar days after the warranty period. If 3M is unable to repair or replace the part within a reasonable time, then 3M at its option, will replace the equipment or refund the purchase price. 3M shall have no obligation to provide or pay for the labor required to install the repaired or replacement part. 3M shall have no obligation to repair or replace (1) those parts failing due to operator misuse, carelessness, or due to any accidental cause other than equipment failure, or (2) parts failing due to non-lubrication, inadequate cleaning, improper operating environment, improper utilities or operator error.

**Limitation of Liability:** 3M and seller shall not be liable for direct, indirect, special, incidental or consequential damages based upon breach of warranty, breach of contract, negligence, strict liability or any other legal theory.

The foregoing Equipment Warranty and Limited Remedy and Limitation of Liability may be changed only by a written agreement signed by authorized officers of 3M and seller.

---

### Contents—800a3 Adjustable Case Sealer

---

- (1) 800a3 Adjustable Case Sealer, Type 40800
- (1) Tool and Spare Parts Kit
- (1) Instruction and Parts Manual



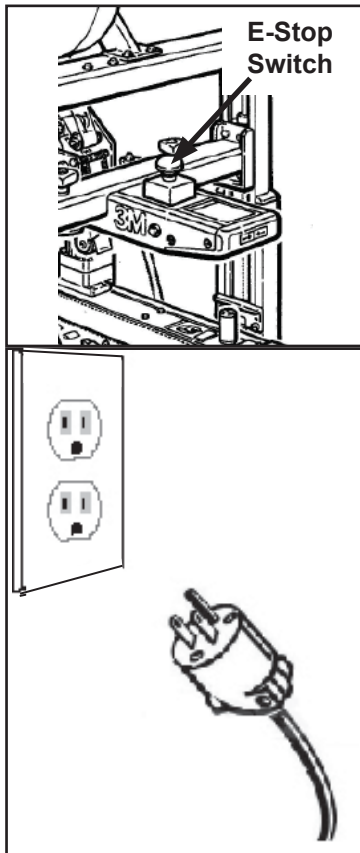
## 3-SAFETY

### 3.1 General Safety Information

Read all the instructions carefully before starting work with the machine; please pay particular attention to sections marked by the symbol:



Figure 3-1



### 3.2 Explanation of Signal Word and Possible Consequences



This safety alert symbol identifies important messages in this manual. **READ AND UNDERSTAND THEM BEFORE INSTALLING OR OPERATING THIS EQUIPMENT.**




**CAUTION:** Indicates a potentially hazardous situation, which, if not avoided, may result in minor or moderate injury and/or property damage.





**WARNING:** Indicates a potentially hazardous situation, which, if not avoided, could result in death or serious injury and/or property damage.


The machine is provided with a LATCHING EMERGENCY STOP BUTTON (**Figure 3-1**); when this button is pressed, it stops the machine at any point in the working cycle. Maintain clear access to power cord while machine is operating. Disconnect plug from power source before machine maintenance (**Figure 3-1**). Also disconnect air if the machine has a pneumatic system. Keep this manual in a handy place near the machine. This manual contains information that will help you to maintain the machine in a good and safe working condition.


3.3 Table of Warnings

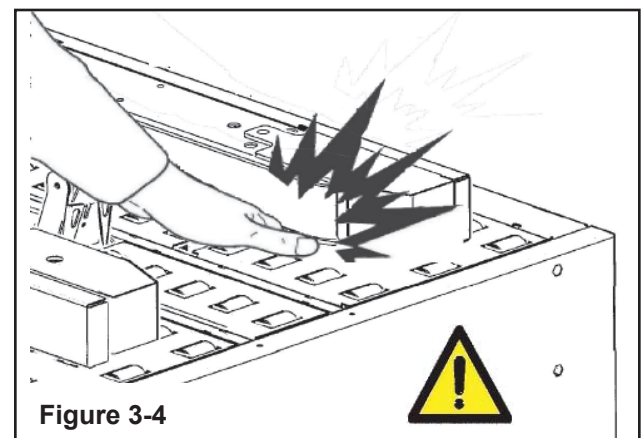
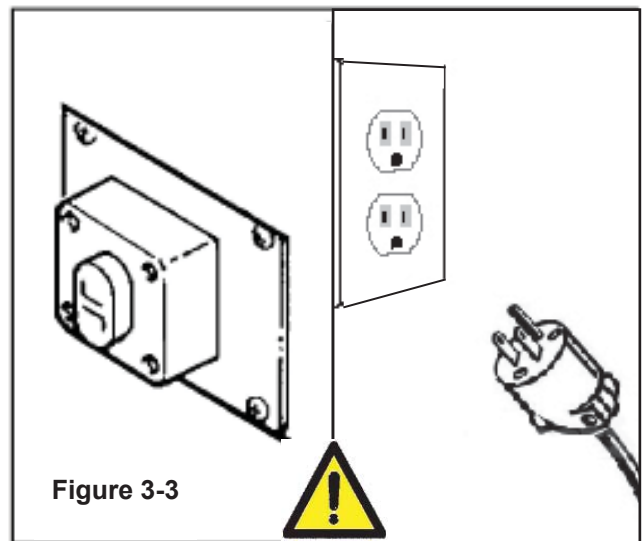
 <b>WARNING</b>
<ul style="list-style-type: none"> <li>• <b>To reduce the risk associated with mechanical and electrical hazards:</b> <ul style="list-style-type: none"> <li>– Read, understand, and follow all safety and operating instructions before operating or servicing the case sealer.</li> <li>– Allow only properly trained and qualified personnel to operate and service this equipment.</li> </ul> </li> </ul>

 <b>WARNING</b>
<ul style="list-style-type: none"> <li>• <b>To reduce the risk associated with hazardous voltage:</b> <ul style="list-style-type: none"> <li>– Position electrical cord away from foot and vehicle traffic.</li> </ul> </li> </ul>

 <b>WARNING</b>
<ul style="list-style-type: none"> <li>• <b>To reduce the risk associated with pinches, entanglement and hazardous voltage:</b> <ul style="list-style-type: none"> <li>– Turn electrical supply off and disconnect before performing any adjustments, maintenance or servicing the machine or taping heads.</li> </ul> </li> </ul>

 <b>WARNING</b>
<ul style="list-style-type: none"> <li>• <b>To reduce the risk associated with pinches and entanglement hazards:</b> <ul style="list-style-type: none"> <li>– Do not leave the machine running while unattended.</li> <li>– Push the machine off when not in use.</li> <li>– Never attempt to work on any part of the machine, load tape, or remove jammed boxes from the machine while the machine is running.</li> </ul> </li> </ul>

	<b>SAFETY INSTRUCTIONS</b>
<b>Figure 3-2</b>	<ol style="list-style-type: none"> <li>1. Shut off machine before adjusting</li> <li>2. Unplug electric power before servicing</li> <li>3. Do not leave machine running unattended</li> <li>4. Refer to instruction manual for complete setup, operating, and servicing information</li> </ol>



**Important!** Cavity in the conveyor bed. Never put your hands inside any part of the machine while it is working. Serious injury may occur (Figure 3-4).



### WARNING

- **To reduce the risk associated with sharp blade hazards:**
  - Keep hands and fingers away from tape cutoff blades under orange blade guards. The blades are extremely sharp.

**Important!** Tape cutting blade. Never remove the safety device which covers the blade on the top and bottom taping units. Blades are extremely sharp. Any error may cause serious injuries (**Figure 3-5**).

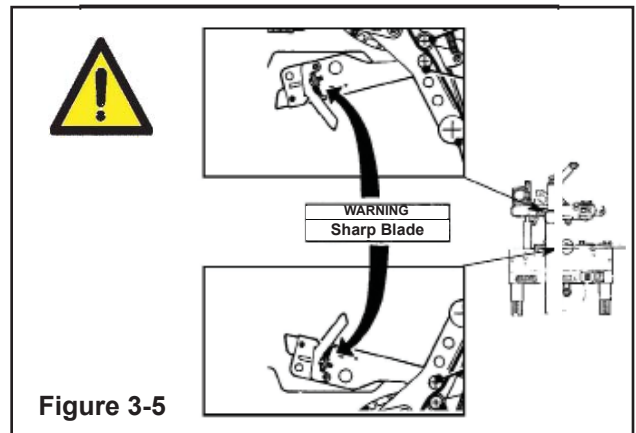


Figure 3-5



### WARNING

- **To reduce the risk associated with fire and explosion hazards:**
  - Do not operate this equipment in potentially flammable/explosive environments.



### WARNING

- **To reduce the risk associated with muscle strain:**
  - Use the appropriate rigging and material handling equipment when lifting or repositioning this equipment.
  - Use proper body mechanics when removing or installing taping heads that are moderately heavy or may be considered awkward to lift.

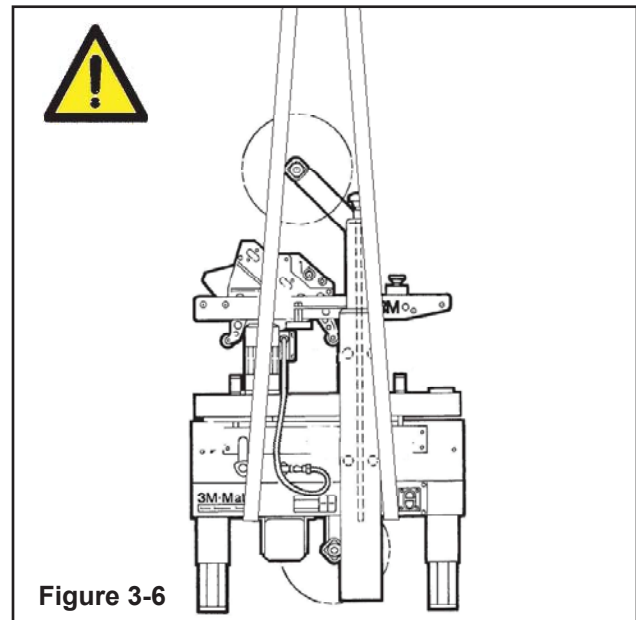


Figure 3-6



### CAUTION

- **To reduce the risk associated with pinch hazards:**
  - Keep hands clear of the upper head support assembly as boxes are transported through the machine.
  - Keep hands, hair, loose clothing, and jewelry away from box compression rollers.
  - Always feed boxes into the machine by pushing only from the end of the box.
  - Keep hands, hair, loose clothing, jewelry away from moving belts and taping heads.

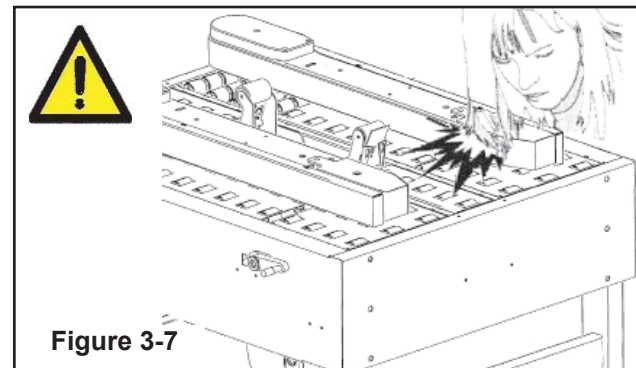


Figure 3-7

### 3.4 Operator's Qualifications

- Machine Operator
- Mechanical Maintenance Technician
- Electrical Maintenance Technician
- Manufacturer's Technician/Specialist  
(See Section 3)

### 3.5 Number of Operators

The operations described below have been analyzed by the manufacturer; the recommended number of operators for each operation provides the best and safest work performance.

**Note:** A smaller or greater number of operators could be unsafe.

### 3.6 Instructions for a Safe Use of the Machine / Definition of Operator's Qualifications

Only persons who have the skills described in the skill levels section should be allowed to work on the machine. It is the responsibility of the user to appoint the operators having the appropriate skill level and the appropriate training for each category of job.

### 3.7 Residual Hazards

The case sealer 800a3 incorporates various safety protections which should never be removed or disabled. It is essential that the operator and service personnel be warned that hazards exist which cannot be eliminated.

### 3.8 Recommendations and Measures to Prevent Other Hazards which Cannot be Eliminated

- The operator must stay on the working position shown in the Operation Section. He must never touch the running driving belts or put his hands inside any cavity.
- The operator must pay attention to the blades during the tape replacement.



## WARNING

- **To reduce the risk associated with mechanical and electrical hazards:**
  - Read, understand, and follow all safety and operating instructions before operating or servicing the case sealer.
  - Allow only properly trained and qualified personnel to operate and service this equipment.

### 3.9 Personal Safety Measures

Safety glasses, safety gloves, safety helmet, safety shoes, air filters, ear muffs - None is required except when recommended by the user.

### 3.10 Predictable Actions which are Incorrect and Not Allowed

- Never try to stop/hold the box while being driven by the belts.
- Never remove or disable the safety devices.
- Only authorized personnel should be allowed to carry out the adjustments, repairs or maintenance which require operation with reduced safety protections. During such operations, access to the machine must be restricted. When the work is finished, the safety protections must immediately be reactivated.
- The cleaning and maintenance operations must be performed after disconnecting the electric power.
- Do not modify the machine or any part of it.
- Clean the machine using only dry cloths or light detergents. Do not use solvents, petrols, etc.
- Install the machine following the suggested layouts and drawings.

**3.11 Operator's Skill Levels Required to Perform the Main Operations on the Machine**

The Table shows the minimum operator's skill for each machine operation.

**Important:** The factory manager must ensure that the operator has been properly trained on all the machine functions before starting work.

**Skill 1: Machine Operator**

This operator is trained to use the machine with the machine controls, to feed cases into the machine, make adjustments for different case sizes, to change the tape and to start, stop and restart production.

**Skill 2: Mechanical Maintenance Technician**

This operator is trained to use the machine as the MACHINE OPERATOR and in addition is able to:

- Work with the safety protection disconnected
  - Check and adjust mechanical parts
  - Carry out machine maintenance operations/repairs
- He is not allowed to work on live electrical components

**Skill 2a: Electrical Maintenance Technician**


This operator is trained to use the machine as the MACHINE OPERATOR and in addition is able to:

- Work with the safety protection disconnected
- Check and adjust mechanical parts
- Carry out machine maintenance operations / repairs / adjustments / repair electrical components

He is allowed to work on live electrical panels, connector blocks, control equipment, etc.

**Skill 3: Specialist from the Manufacturer**

Skilled operator sent by the manufacturer or its agent to perform complex repairs or modifications (on agreement with the customer).

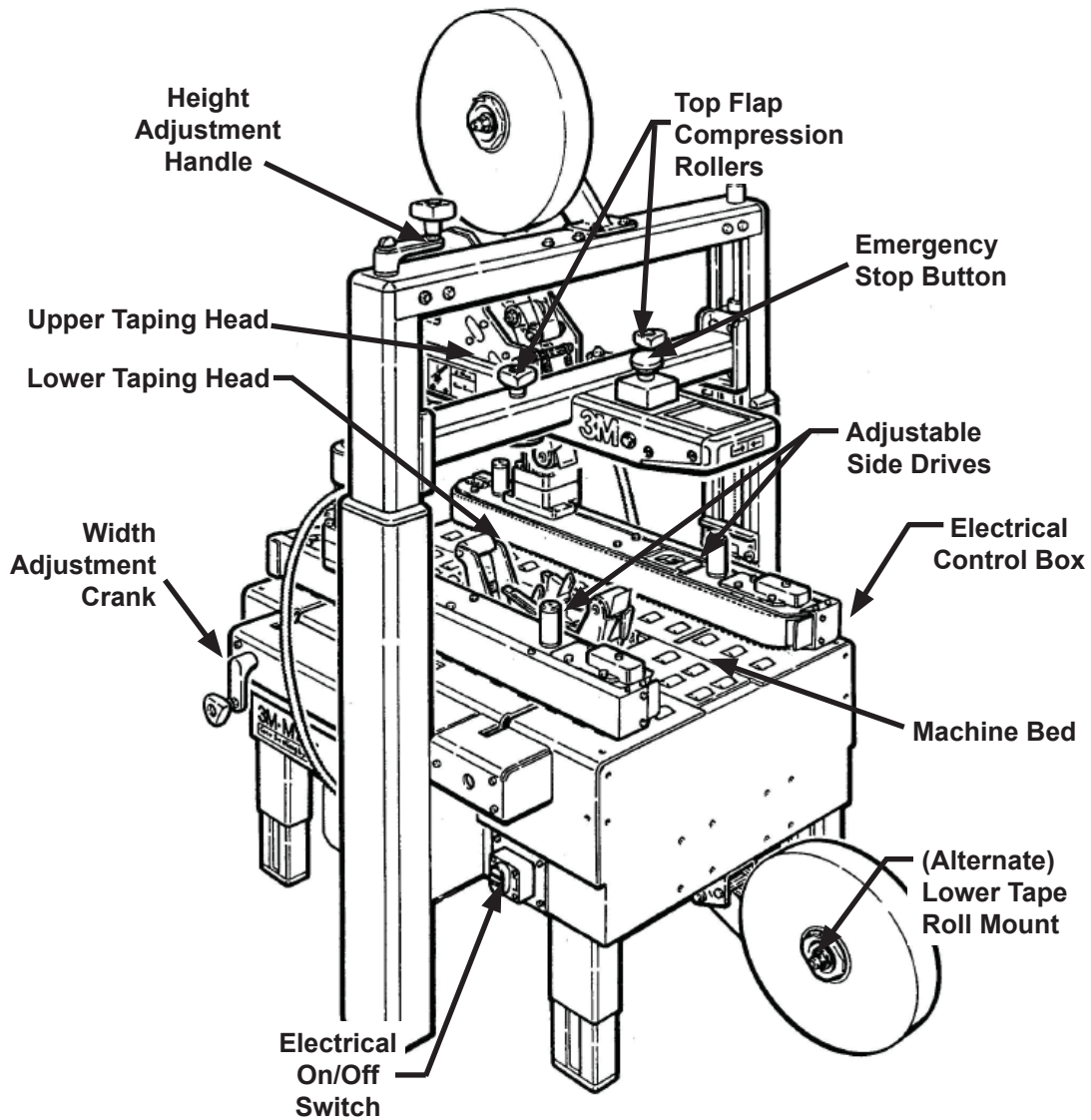
	<b>WARNING</b>
<ul style="list-style-type: none"> <li>• <b>To reduce the risk associated with mechanical and electrical hazards:</b> <ul style="list-style-type: none"> <li>– Allow only properly trained and qualified personnel to operate and service this machine</li> </ul> </li> </ul>	

**Operator's Skill Levels Required to Perform the Main Operations on Machine**

Operation	Machine Status	Required Operator Skill	Number of Operators
Machine installation and setup	Running with safety protections disabled	2 and 2a	2
Adjusting box size	Stopped by pressing the EMERGENCY STOP button	1	1
Tape replacement	Stopped by pressing the EMERGENCY STOP button	1	1
Blade replacement	Electric power disconnected	2	1
Drive belt replacement	Electric power disconnected	2	1
Ordinary maintenance	Electric power disconnected	2	1
Extraordinary mechanical maintenance	Running with safety protections disabled	3	1
Extraordinary electrical maintenance	Running with safety protections disabled	2a	1

### 3.12 Component Locations

Refer to **Figure 3-8** below to acquaint yourself with the various components and controls of the case sealer. Also refer to Manual 2 for taping head components.



**Figure 3-8—800a3 Case Sealer Components (Left Front View)**



3.13 Table of Warnings and Replacements Labels (continued)

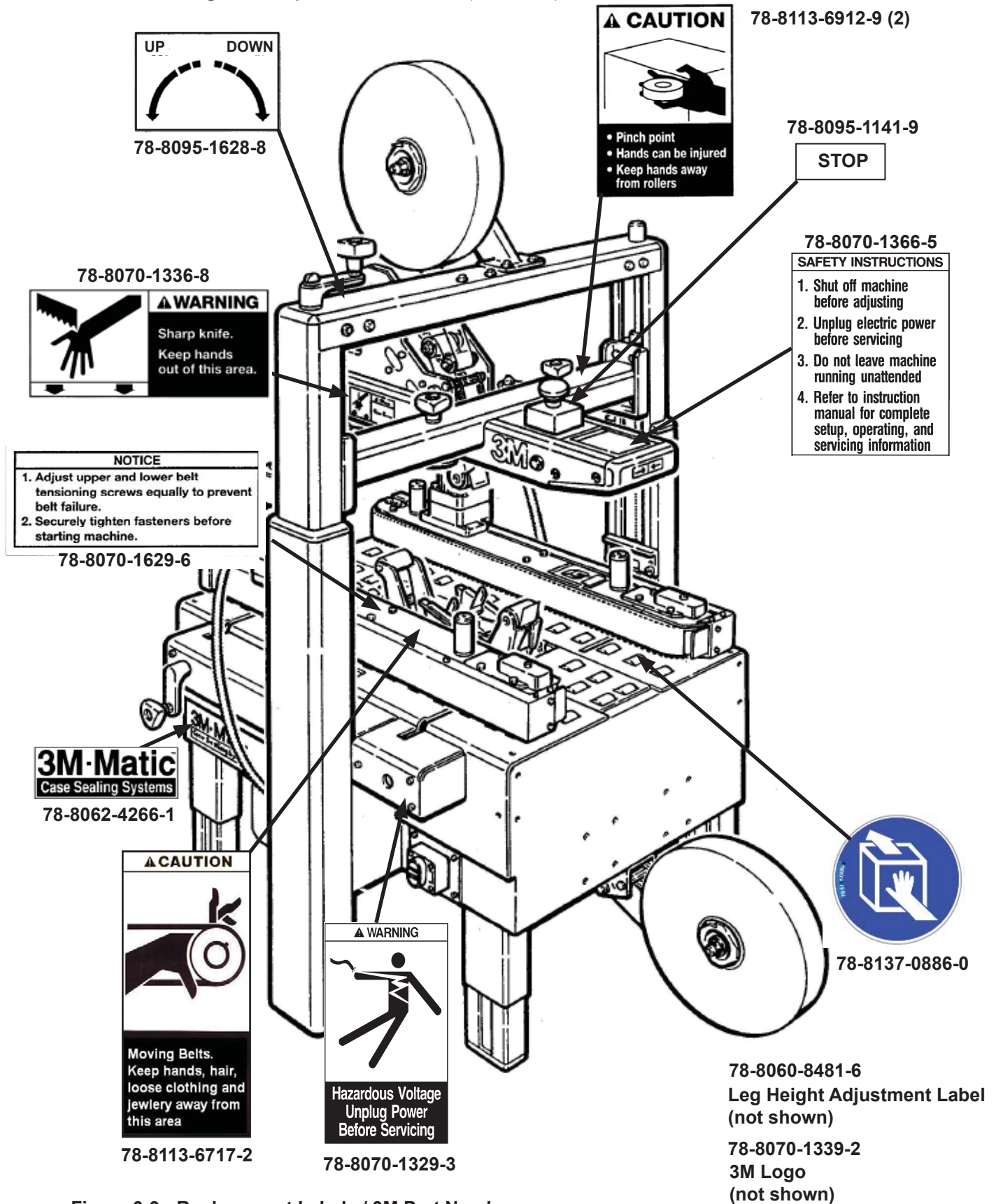


Figure 3-9 - Replacement Labels / 3M Part Numbers

## 4-SPECIFICATIONS

---

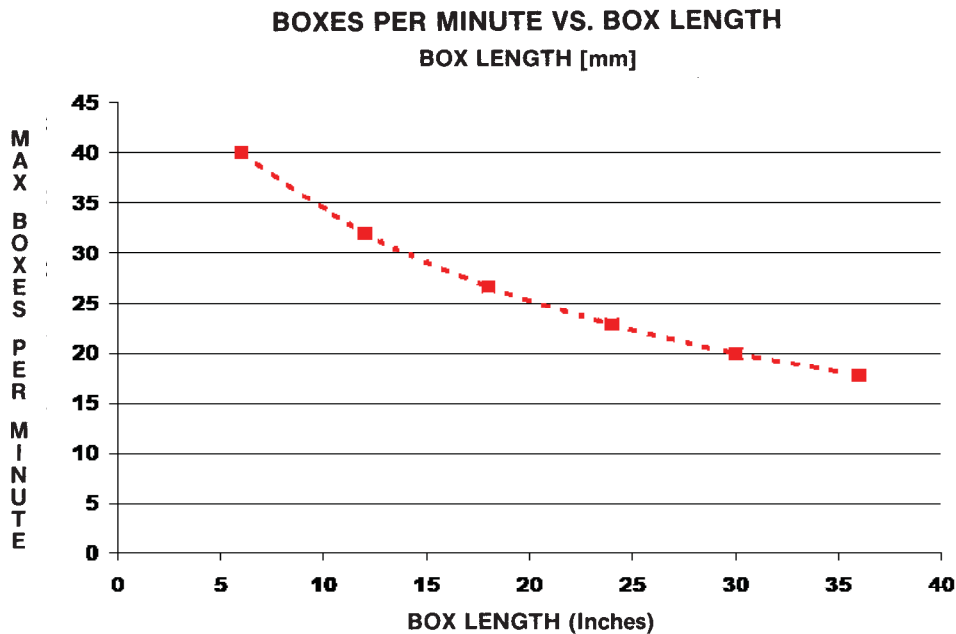
### 1. Power Requirements

Electrical: 115 Volt, 60Hz, 3.8 A (220 watts)

The machine is equipped with a 2.4m [8 foot] standard neoprene covered power cord and a grounded plug. Contact your 3M Representative for power requirements not listed above.

### 2. Operating Rate

Belt speed is 0.5m/s [100 ft/min].



Actual production rate is dependent on operator's dexterity.  
Boxes must be 18 inches (455mm) apart minimum.

### 3. Operating Conditions

Use in dry, relatively clean environments at 5° C to 50° C [40° F to 120° F] with clean, dry boxes.

**Note:** Machine should not be washed or subjected to conditions causing moisture condensation on components.



#### WARNING

- To reduce the risk associated with fire and explosion hazards:
  - Do not operate this equipment in potentially flammable or explosive environments.

### 4. Tape

Scotch® pressure-sensitive film box sealing tapes.

### 5. Tape Width

50mm [2 inch] minimum to 75mm [3 inch] maximum



#### 4-SPECIFICATIONS (continued)

---

### Specifications

#### 6. Tape Roll Diameter

Up to 405mm [16 inch] maximum on a 76.2mm [3 inch] diameter core.

(Accommodates all system roll lengths of **Scotch®** film tapes.)

#### 7. Tape Application Leg Length – Standard

70 mm ± 6mm [2.75 inch ± .25 inch ]

#### Tape Application Leg Length – Optional

50 mm ± 6mm [2 inch ± .25 inch]

(See "Removing Taping Heads Procedure – Changing the Tape Leg Length")

#### 8. Box Board

Style – regular slotted containers – RSC

125 to 275 P.S.I. bursting test, single wall or double wall B or C flute.

23-44 lbs. per inch of width Edge Crush Test (ECT)

#### 9. Box Weight and Size Capacities

A. Box Weight, filled: 5 lbs.–85 lbs. [2.3 kg–38.6 kg]. Contents must support flaps.

B. Box Size:	Minimum	Maximum
Length –	150mm [6.0 inch]	Unlimited
Width –	140mm [5.5 inch]*	545mm [21.5 inch]
Height –	120mm [4.75 inch]** ***	620mm [24.5 inch] ***

\* Minimum box height can be reduced to 110mm [4-1/4 inches] by removing machine compression rollers OR Minimum box height can be reduced to 90mm [3 1/2 inches] by removing machine compression rollers and also adjusting taping heads to apply 48mm [2 inch] tape legs (See "Special Set-Up Procedure".)

\*\* Maximum box height can be increased to 725mm [28-1/2 inches] by relocating machine outer columns to upper position. (See "Special Set-Up Procedure".)

**Note:** Raising columns to upper position also increases minimum box height to 210mm [8-1/4 inches].

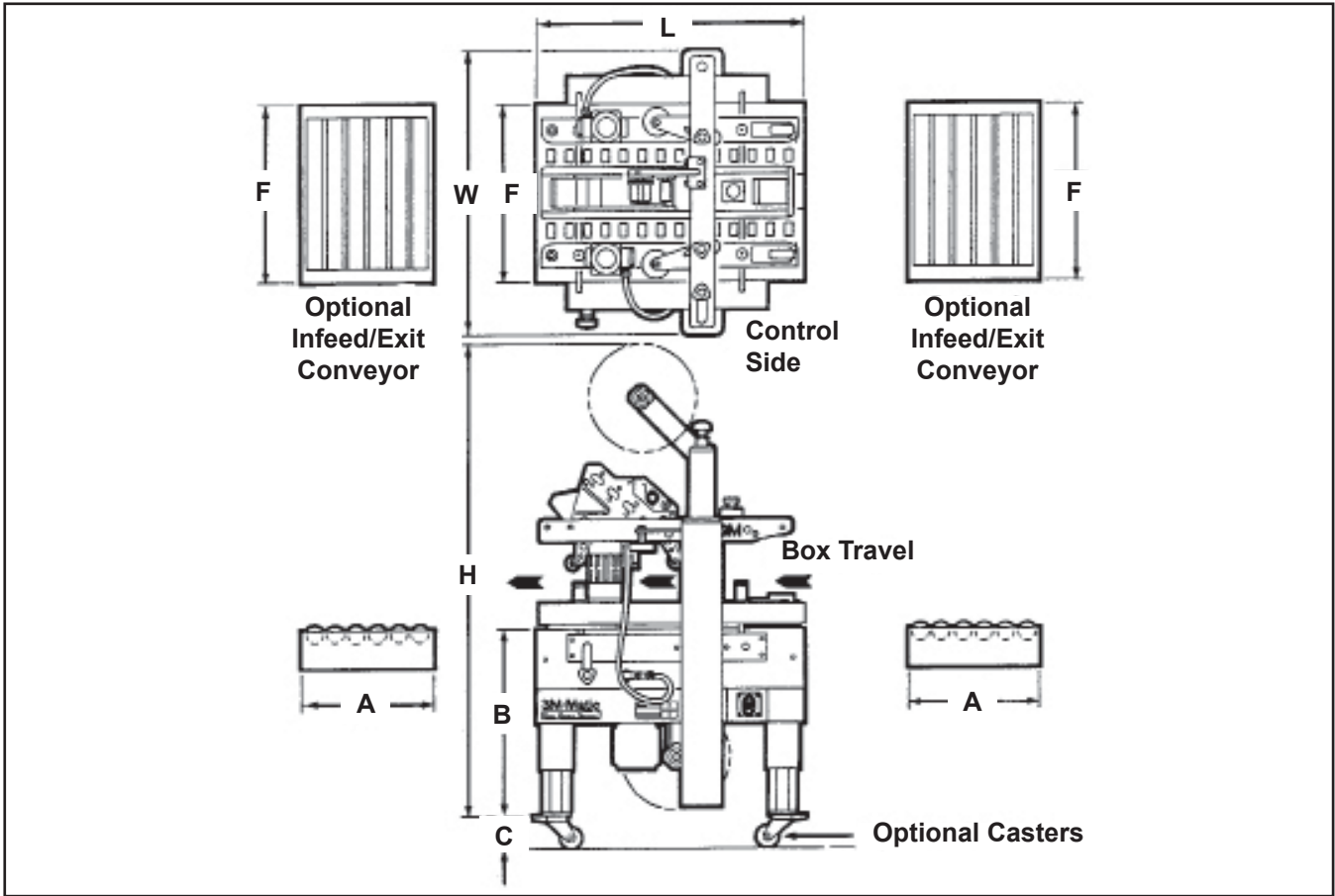
**Note:** The case sealer can accommodate most boxes within the size range listed above. However, if the box length (in direction of seal) to box height ratio is 0.6 or less, test run several boxes to ensure proper machine performance.

#### DETERMINE THE BOX LIMITATIONS BY COMPLETING THIS FORMULA:

$$\frac{\text{BOX LENGTH IN DIRECTION OF SEAL}}{\text{BOX HEIGHT}} = \text{SHOULD BE GREATER THAN 0.6}$$

Any box ratio approaching this limitation should be test run to ensure performance.

4-SPECIFICATIONS (continued)



10. Machine Dimensions

	W	L	H	A*	B	C	F
<b>Minimum</b>							
mm	980	920	1395	460	610	105	620
[Inches]	[38-1/2]	[36-1/4]	[55]	[18]	[24]*	[4-3/16]	[24.5]
<b>Maximum</b>							
mm	--	--	2185	--	890	--	--
[Inches]	--	--	[86]*	--	[35]*	--	--

\* With outer columns relocated to upper position, "H" maximum dimension increases 100 mm [4 inches] and "B" minimum dimension decreases by 90 mm [3-1/2 inches]. (See "Special Set-Up Procedure".)

**Weight** – approximate 176.9 kg [390 pounds] crated  
 approximate 158.8 kg [350 pounds] uncrated

**11. Machine Noise Level:** Acoustic pressure measured at a distance of 1m. from machine with Scotch PVC adhesive tape in operation; 78dB Acoustic radiation pressure at 1.6m. height with Scotch PVC adhesive tape in operation; 73dB Measurement taken with appropriate instrument: (Type SPYRI-MICROPHON 11).

**12. Set-Up Recommendations:**

- Machine must be level.
- Customer supplied infeed and exit conveyors (if used) should provide straight and level box entry and exit.
- Exit conveyors (powered or gravity) must convey sealed boxes away from machine.

## 5-SHIPMENT-HANDLING-STORAGE, TRANSPORT

### 5.1 Shipment and Handling of Packed Machine

- The machine is fixed on the pallet with four (4) bolts and can be lifted by using a fork truck.
- The package is suitable to travel by land and by air.
- Optional sea freight package is available.

#### Packaging Overall Dimensions (Figure 5-1)

See Specifications.

During the shipment it is possible to stack a maximum of 2 machines (Figure 5-2).

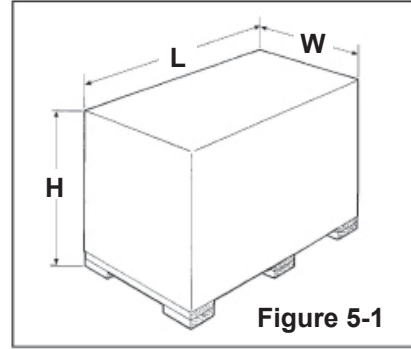


Figure 5-1

### 5.2 Packaging for Overseas Shipment (Optional - Figure 5-3)

The machines shipped by sea freight are covered by an aluminum/polyester/polythene bag which contains dehydrating salts.

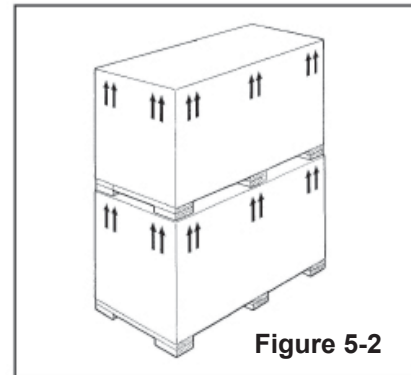


Figure 5-2

### 5.3 Handling and Transportation of Uncrated Machine

The uncrated machine should not be moved except for short distances and indoors ONLY. Without the supporting pallet, the machine is exposed to damage and may cause injuries. To move the machine use belts or ropes, paying attention to place them in the points indicated using care to not interfere with the lower taping head (Figure 5-4).

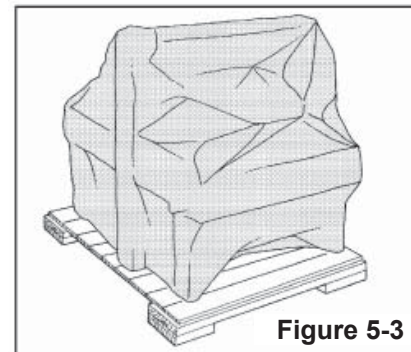


Figure 5-3

### 5.4 Storage of the Packed or Unpacked Machine

If the machine is not used for a long period, please take the following precautions:

- Store the machine in a dry and clean place.
- If the machine is unpacked it is necessary to protect it from dust.
- Do not stack anything over the machine.
- It is possible to stack a maximum of 2 machines (if they are in their original packing).

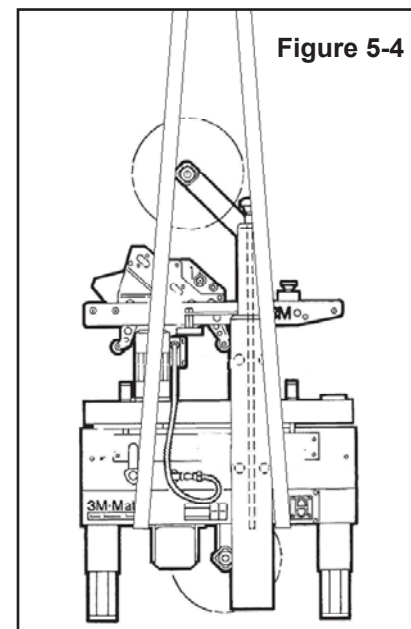
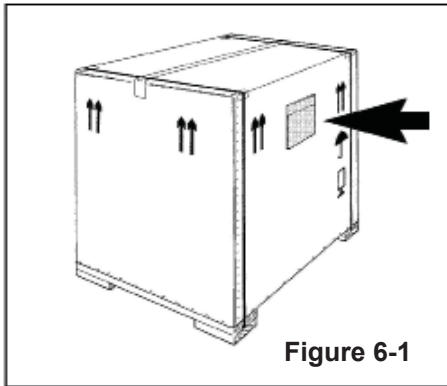


Figure 5-4

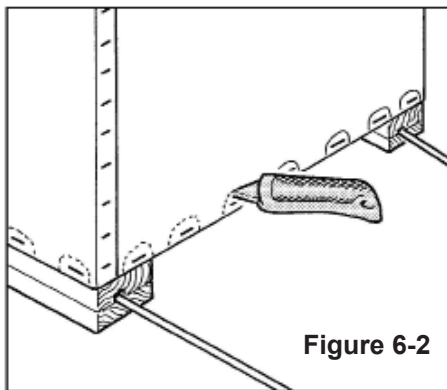
## 6-UNPACKING

### 6.1 Uncrating

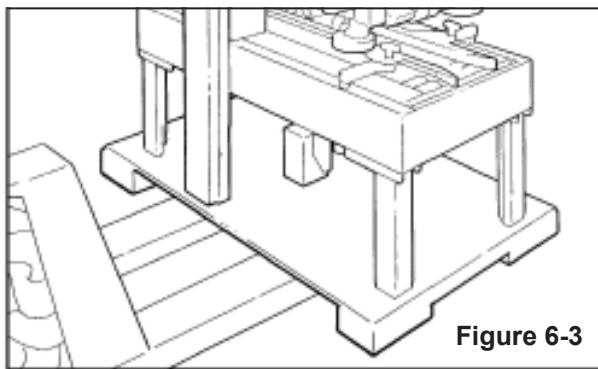
The envelope attached to the shipping box contains the uncrating instructions of the machine (**Figure 6-1**).



Cut straps. Cut out staple positions along the bottom of the shipping box (or remove staples with an appropriate tool - **Figure 6-2**).



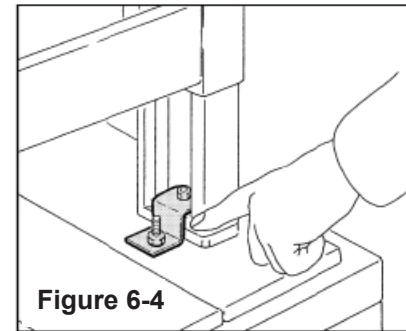
After cutting out or removing the staples, lift the shipping box in order to clear the machine (two persons required).



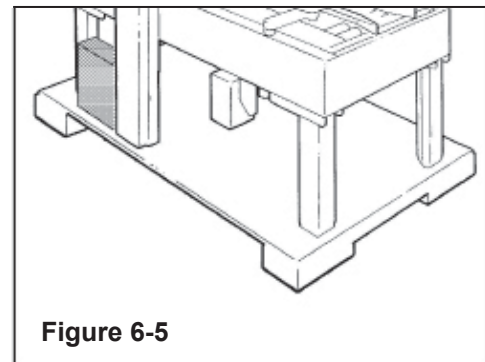
Transport the machine with a fork-lift truck to the operating position. Lift the pallet at the point indicated in **Figure 6-3** (weight of machine + pallet = See Specifications).

### Removal of Pallet

Loosen and remove nuts and brackets using the open end spanner supplied in the tool box (**Figure 6-4**).



A cardboard box is located under the machine body. Retrieve the instruction manual for additional procedures of the set up. The box also contains parts removed for shipping, spare parts and tools (**Figure 6-5**).



### 6.2 Disposal of Packaging Materials

The 800a3 package is composed of:

- Wooden pallet
- Cardboard shipping box
- Wooden supports
- Metal fixing brackets
- PU foam protection
- PP plastic straps
- Dehydrating salts in bag
- Special bag of laminated polyester/aluminium/  
Polyethylene (sea freight package only)
- Polyethylene protective material

For the disposal of the above materials, please follow the environmental directives or the law in your country.

## 7-INSTALLATION

### 7.1 Operating Conditions

The machine should operate in a dry and relatively clean environment (See Specifications).

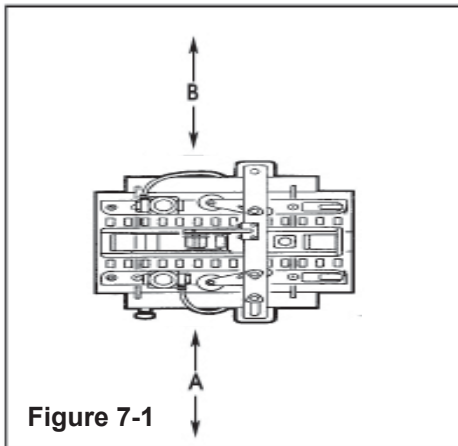
### 7.2 Space Requirements for Machine Operation and Maintenance Work

Minimum distance from wall (**Figure 7-1**):

A = 1000mm.

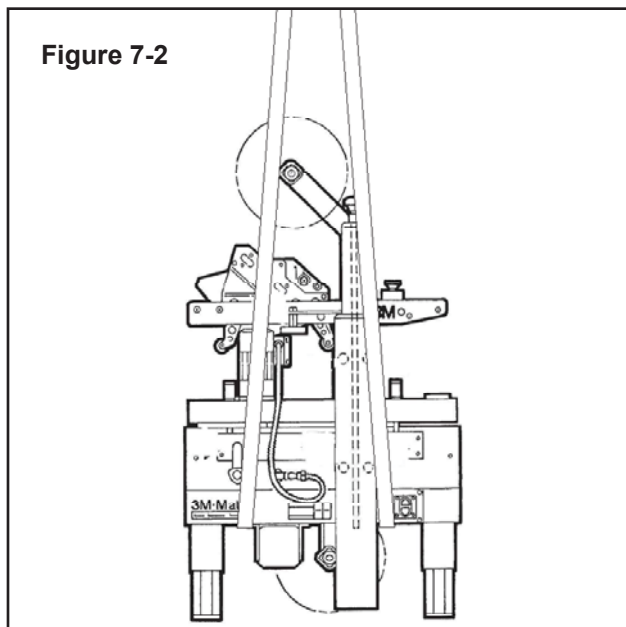
B = 700mm.

Minimum height = 2700mm.



### 7.3 Tool Kit Supplied with the Machine

A tool kit containing some tools are supplied with the machine. These tools should be adequate to set-up the machine, however, other tools supplied by the customer will be required for machine maintenance.



800a3-NA



### WARNING

- **To reduce the risk associated with mechanical and electrical hazards:**
  - Allow only properly trained and qualified personnel to operate and service this equipment.



### WARNING

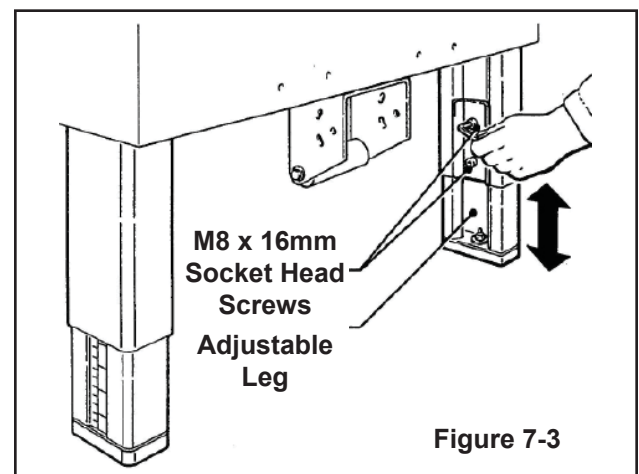
- **To reduce the risk associated with muscle strain:**
  - Use the appropriate rigging and material handling equipment when lifting or repositioning this equipment.
  - Use proper body mechanics when removing or installing taping heads that are moderately heavy or may be considered awkward to lift.

### 7.4 Machine Set-Up / Bed Height

Adjust machine bed height. The case sealer is equipped with four (4) adjustable legs that are located at the corners of the machine frame. The legs can be adjusted to obtain different machine bed heights from 610mm [24 inches] minimum to 890 mm [35 inches] maximum - See Specifications.

Refer to **Figure 7-3** and set the machine bed height as follows:

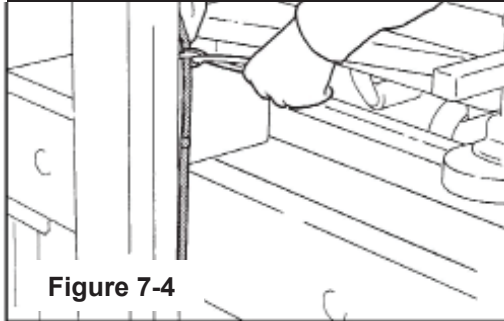
1. Raise and block up the machine frame to allow adequate leg adjustment.
2. Loosen, but do not remove, two (2) M8 x 16mm socket head screws in one leg (use M6 hex wrench). Adjust the leg length for the desired machine bed height. Retighten the two screws to secure the leg. Adjust all four (4) legs equally.



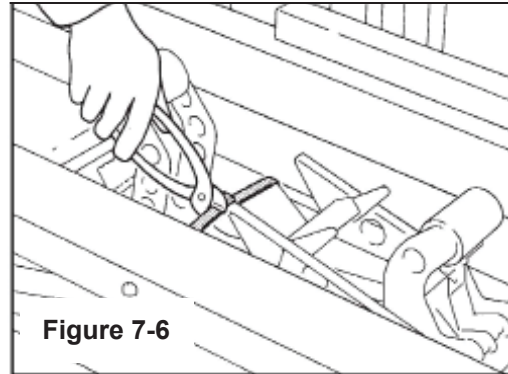
## 7-INSTALLATION (continued)

### 7.5 Removal of Plastic Ties

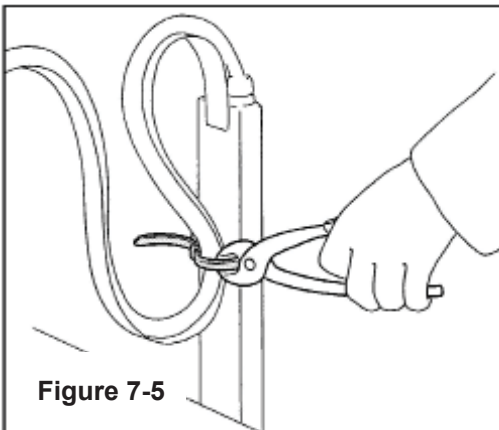
Cut the plastic which attaches the top head to the frame and remove the polystyrene blocks (**Figure 7-4**).



Cut the plastic ties holding the lower taping head in position (**Figure 7-6**).

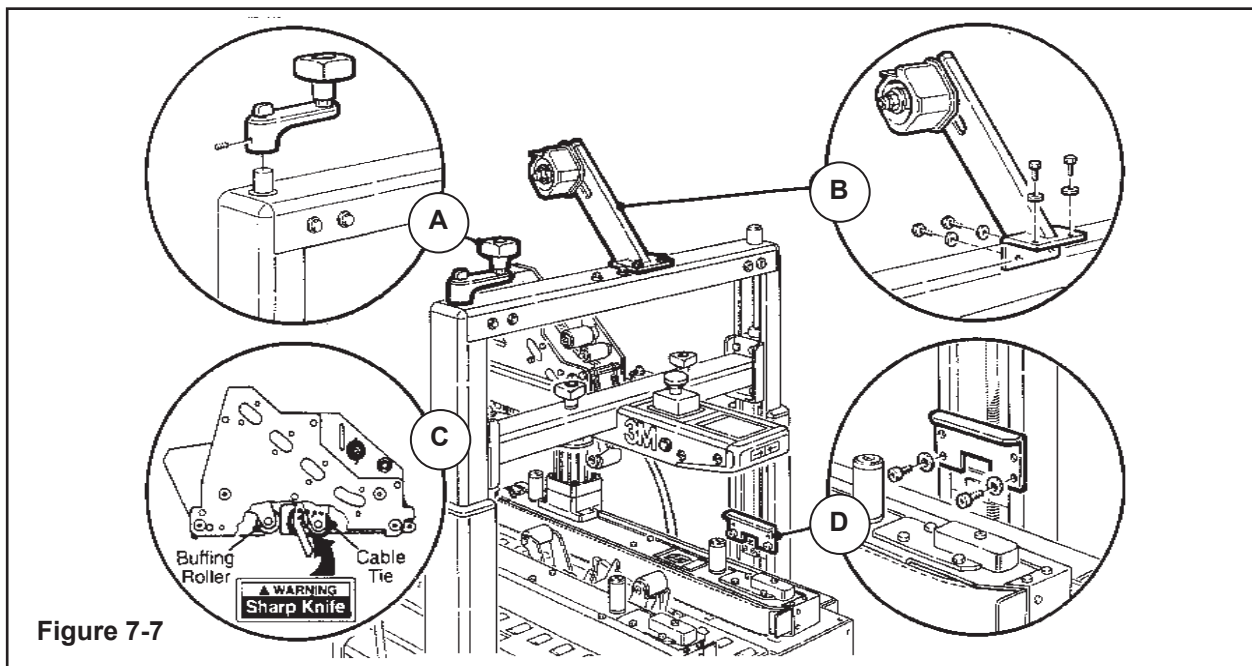


Cut the plastic strap which attaches the strip and the EMERGENCY STOP cable to the frame (**Figure 7-5**).



### 7.6 Assembly Completion

- 1 Crank - Install the crank handle on the top of the left column as shown (**Figure 7-7A**).
- 2 Tape Drum Bracket - Install the upper tape drum bracket on the top cross bar as shown (**Figure 7-7B**).
- 3 Stop Bracket - Raise upper head assembly (turn crank handle counterclockwise) and install the two stop brackets (provided in the parts bag). Use lower set of holes as shown in **Figure 7-7D**. The upper set of holes should only be used when both taping heads are adjusted to apply 50mm tape legs.





**7.7 Completion of Taping Heads**

See Manual 2 for Complete Instructions:

1. Place the Upper Taping Head in a convenient working position
2. Use **Figure 7-8** and tape threading label. Position the tape supply roll so the adhesive side of tape is facing the front of the taping head as it is pulled from the supply roll.
3. Attach the threading needle to the end of the roll. Guide the threading needle around the wrap roller (**Position 1**) then back around the one-way tension roller (**Position 2**).
4. Continue pulling the threading needle down and guide it between the two (2) rollers on the apply arm (**Position 3**).
5. Pull the threading needle down until the tape travels between the apply plate and the ears of the apply arm (**Position 4**) until it extends past the applying roller. When properly threaded the adhesive side of the tape should be facing the knurled rollers at position 2 and also position 3.
6. Cut away any excess tape and repeat steps for Lower Taping Head.

**Important** – Do not cut against the apply roller - roller damage could occur.

**7.8 Outboard Tape Roll Holder**

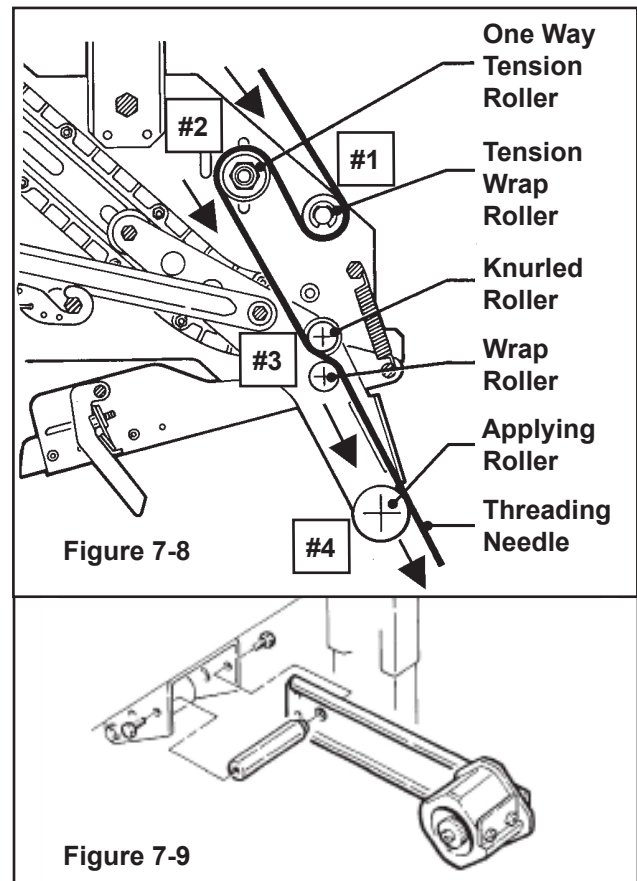
If you intend to use the outboard tape roll holder, proceed as follows:

- 1 - Remove the lower taping head from the machine.
- 2 - Remove the tape drum bracket assembly, stud spacer, and fasteners from the lower taping head.
- 3 - Install alternative wrap roller and bracket on the head in place of tape bracket. Replace lower head into machine.
- 4 - Install and secure tape drum bracket assembly on the entry end of the lower frame (as shown in **Figure 7-9**).

**7.9 Preliminary Electric Inspection**

Before connecting the machine to the mains please carry out the following operations:

- 7.9.1** Make sure that the socket is provided with an earth protection circuit and that both the mains voltage and the frequency match the specifications on the name plate.
- 7.9.2** Check that the connection of the machine to the mains meets the safety regulations in your country.
- 7.9.3** The machine is fitted with a main switch and a circuit breaker. The user should check that the electrical settings of the machine are compatible with all the components of the mains system.



**7.10 Machine Connection to the Mains**

For technical specifications: **See Section 4 - Specifications**

- Push the LATCHING EMERGENCY STOP BUTTON.
- The main switch is normally OFF.

Connect the power cord supplied with the machine to a wall socket using a plug which complies with the safety regulations of your country.

**7.11 Inspection of Phases (For Three-Phase Only)**

N/A

## 8-THEORY OF OPERATION

### 8.1 Description of the Working Cycle

After having closed the top flaps of the carton, the operator pushes it under the top infeed end in order to avoid the opening of the top flaps. Further pushing causes the two bottom side belts to drive the box through the taping heads which automatically seal the top and bottom seams. The carton is then expelled on the exit conveyor.

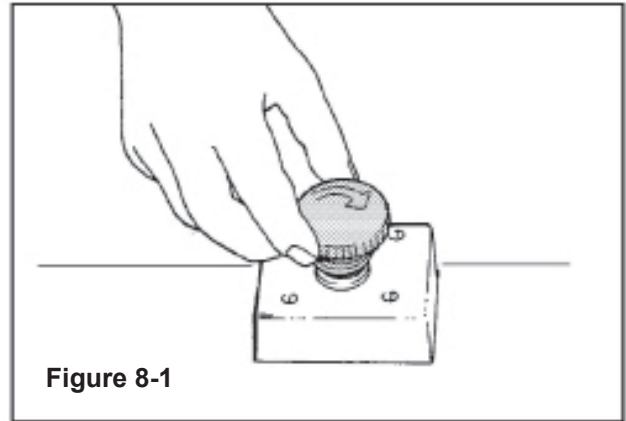


Figure 8-1

### 8.2 Definition of Running Mode

The case sealer 800a3 has only one (automatic) operating mode with:

- The EMERGENCY STOP BUTTON unlocked (**Figure 8-1**)
- The main switch start switch "ON" (I) (**Figure 8-2**)

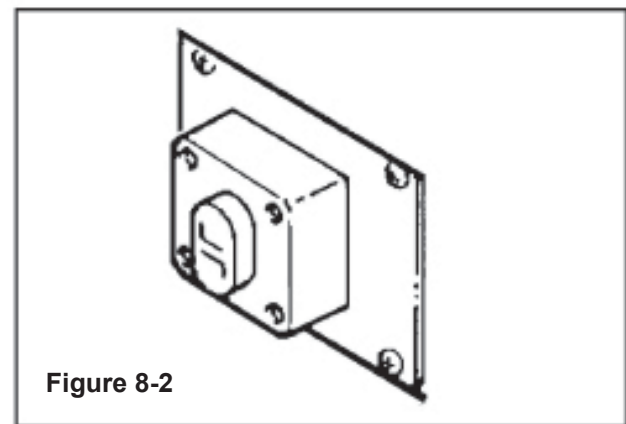


Figure 8-2

#### 8.3.1 Normal Stop Procedure

When the main switch is OFF (O), the machine stops immediately at any point of the working cycle. The same thing happens in case of electrical failure or when the machine is disconnected from the mains.

#### 8.3.2 Emergency Stop

The LATCHING EMERGENCY STOP BUTTON is located on the top center of the machine (**Figure 8-1**).

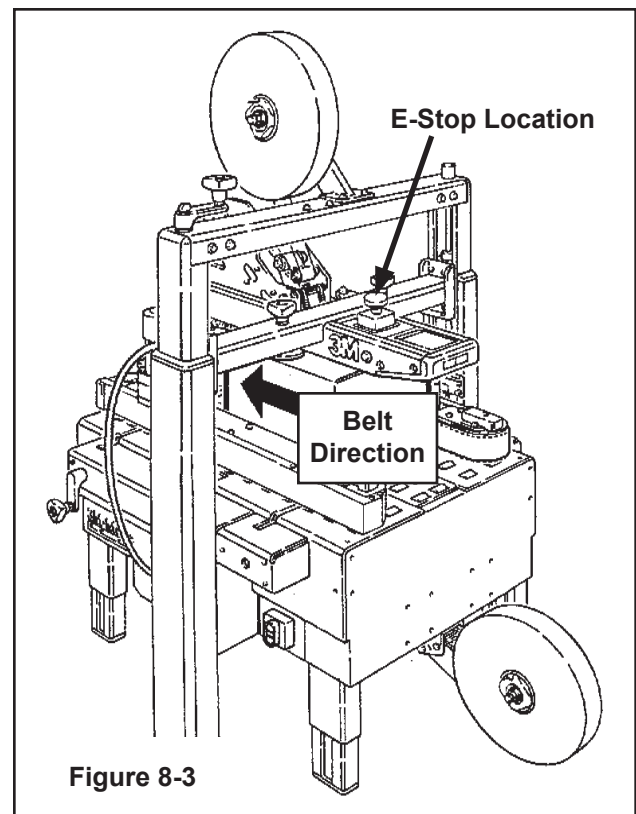
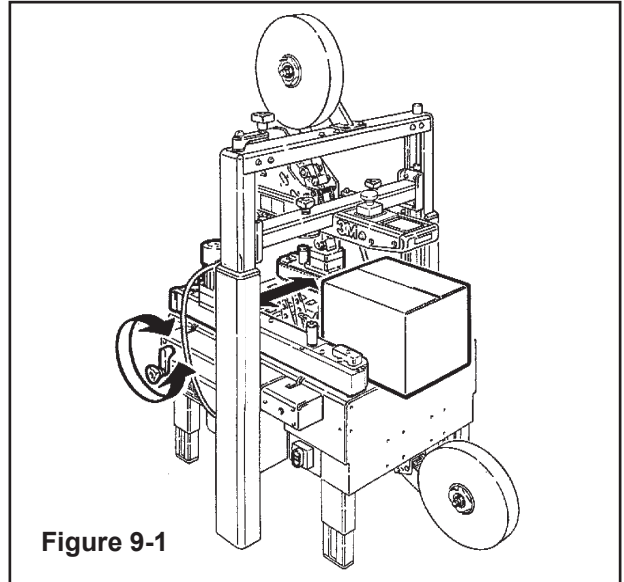


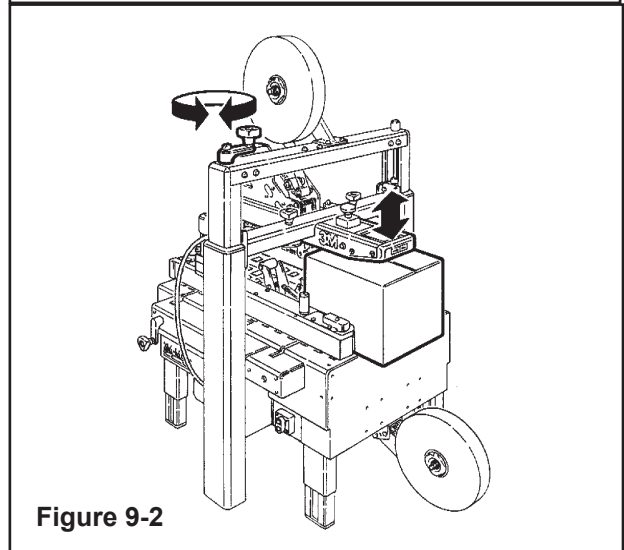
Figure 8-3



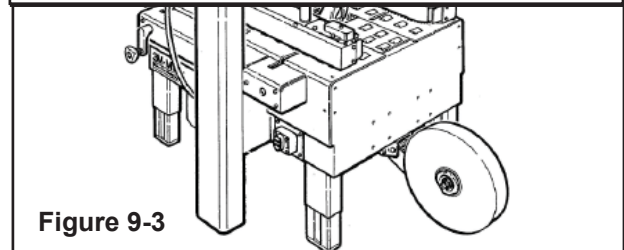
9.1 Box Width Adjusting Knobs



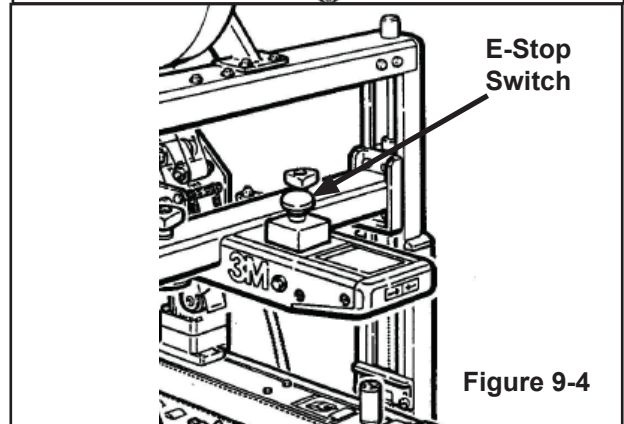
9.2 Box Height Adjusting Crank



9.3 Start/Stop Button



9.4 Latching Emergency Stop Button



## 10-SAFETY DEVICES OF THE MACHINE

### 10.1 Blade Guards

Both the top and bottom taping units have a blade guard. (See Manual 2: AccuGlide™ 3 Taping Heads - 3 inch).



#### WARNING

- **To reduce the risk associated with sharp blade hazards:**
  - Keep hands and fingers away from tape cutoff blades under orange blade guards. The blades are extremely sharp.

### 10.2 Emergency Stop Button

The box drive belts are turned on and off with the electrical switch on the side of the machine frame.

The machine electrical supply can be turned off by pressing the latching emergency stop switch. To restart machine, rotate the emergency stop switch clockwise to release the switch latch. Restart machine by Pushing the On/Off switch to the Off (O) position and then to the On (I) position (**Figure 10-1**).



#### WARNING

- **To reduce the risk associated with hazardous voltage:**
  - Position electrical cord away from foot and vehicle traffic.

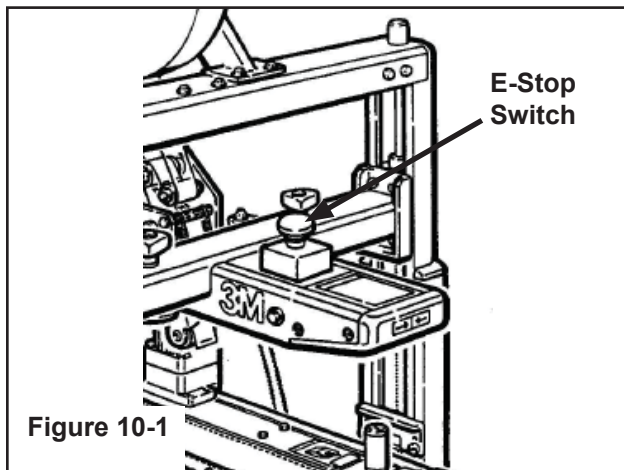


Figure 10-1

800a3-NA

### 10.3 Electric System / Circuit Breaker

The electric system is protected by a ground wire whose continuity has been tested during the final inspection. The system is also subject to insulation and dielectric strength tests.

#### Circuit Breaker

The case sealer is equipped with a circuit breaker which trips if the motors are overloaded. Located inside the electrical enclosure on the side of the machine frame just below the machine bed, the circuit breaker has been pre-set and requires no further maintenance.



#### WARNING

- **To reduce the risk associated with mechanical and electrical hazards:**
  - Allow only properly trained and qualified personnel to operate and service this equipment.

**Note:** The case sealer has a circuit breaker located in the electrical enclosure on the machine frame. If circuit becomes overloaded and circuit breaker trips, unplug the machine electrical cord and determine cause of overload. After two minutes plug machine electrical cord into outlet and reset the circuit breaker by turning the On/Off switch to the Off (O) position and then to the On (I) position.

**Important:** The use of an extension cord is not recommended. However, if one is needed for temporary use, it must:

- Have a wire size of 1.5mm diameter [AWG 16]
- Have a maximum length of 30.5m [100 ft]
- Be properly grounded.

## 11 - SET UP AND ADJUSTMENTS

### 11.1 Box Width Adjustment

Place a product filled box on infeed end of machine bed with top flaps folded as shown and manually move box forward to contact lower taping head applying roller.

Turn drive belt adjustment crank to position both side drive belts against sides of box (**Figure 11-1**).

### 11.2 Box Height Adjustment

Turn height adjustment crank to position upper taping head onto box. Turn clockwise to lower head, counterclockwise to raise head. Upper taping head must contact and hold top box flaps closed (**Figure 11-2**).

### 11.3 Adjustment of Top Flap Compression Rollers

The top flap compression rollers have an adjustable slide mounting to provide side compression through the full range of box widths.

Manually move box forward so front of box is aligned with top flap compression rollers.

### 11.4 Changing the Tape Leg Length

Taping heads are preset to apply 70mm [2.75 inches] long tape legs. To change tape leg length to 50mm [2.0 inches], refer to Instructions below and also to Manual 2, "Removing Taping Heads Procedure - Changing the Tape Leg Length".

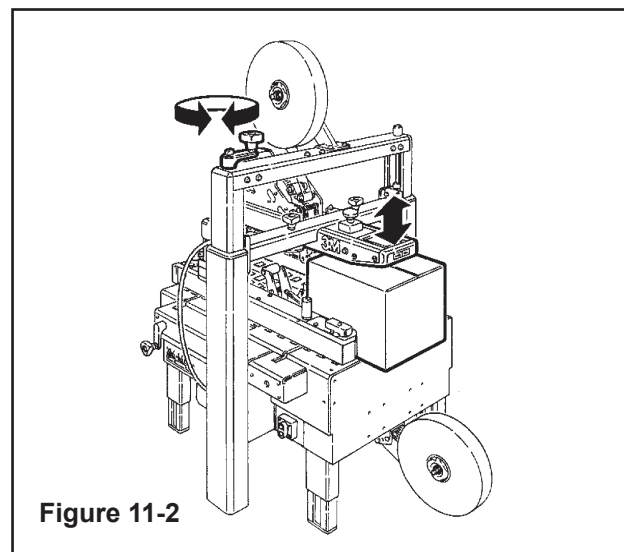
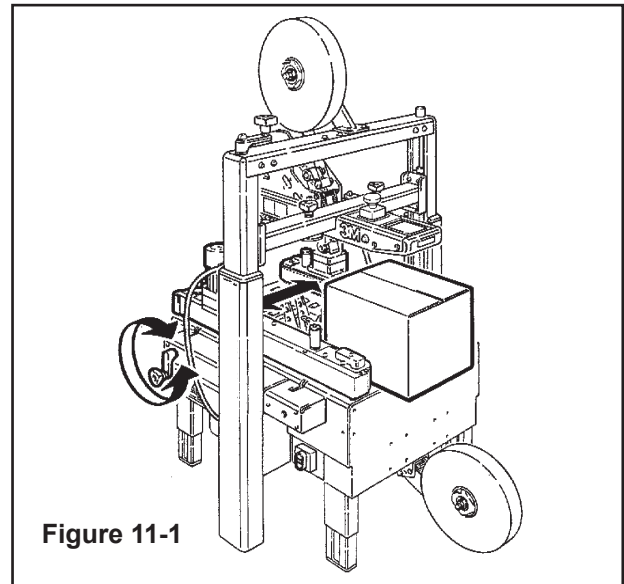
### 11.5 Run Boxes to Check Adjustment

Push electrical switch "On" (I) to start drive belts.

Move box forward under upper taping head until it is taken away by drive belts. If box is hard to move under head or is crushed, raise head slightly.

If the box movement is jerky or stops under the upper head, move the side drive belts in slightly to add more pressure between the box and drive belts.

**Important** – If drive belts are allowed to slip on box, excessive belt wear will occur.



## 12-OPERATION

### 12.1 Operator's Correct Working Position and Operational Flow (Figure 12-1).

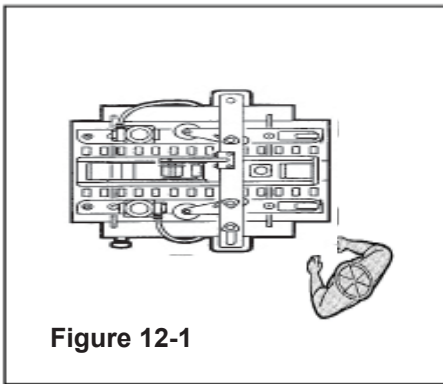


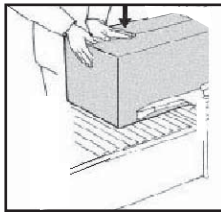
Figure 12-1

Once the box has been filled, close its top flaps and push it between the top and bottom drive belts. Always keep hands in position as shown in Figure 12-2.

The box will be automatically sealed with adhesive tape on the top and bottom box seams. Then the box will be expelled on the exit conveyor.

Figure 12-2

Hand  
Position



### 12.2 Starting the Machine

**Important:** Before starting the machine, verify that no tools or other objects are on the conveyor bed.

Push the main switch ON (I) after the EMERGENCY BUTTON is released (Figure 12-3).

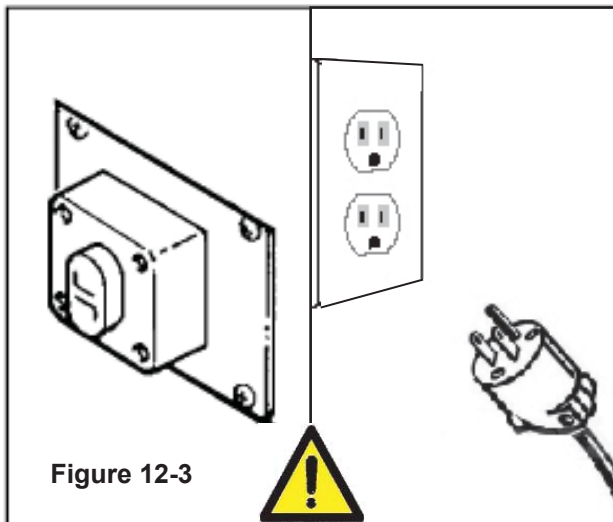


Figure 12-3

### 12.3 Starting Production

After having adjusted the machine according to the box dimensions (height-width), let the machine run without cartons and check its safety devices. Then start the working cycle.

### 12.4 Tape Replacement and Threading

#### Skill 1 - Operator

See Manual 2: AccuGlide™ 3 High Speed 3 inch Taping Heads.

Press the  
LATCHING EMERGENCY STOP BUTTON.



### WARNING

- **To reduce the risk associated with sharp blade hazards:**
  - Keep hands and fingers away from tape cutoff blades under orange blade guards. The blades are extremely sharp.

### 12.5 Box Size Adjustment

Repeat all the operations shown in Section 11 - Set-Up and Adjustments.

### 12.6 Cleaning

Before carrying out any cleaning or maintenance operation stop the machine by Pushing the OFF (O) switch on the main and disconnect the electric power (Figure 12-3).

### 12.7 Table of Operation Adjustments - Operator Qualifications

1	Tape loading and threading	1
2	Tape web alignment	1
3	Adjustment of one way tension roller	1
4	Adjustment to box size (H and W)	1
5	Top flap compression rollers	1
6	Adjustment of tape applying spring	1
7	Conveyor bed height adjustment	1
8	Special Adjustment-Changing tape leg length	2
9	Special Adjustment-Column re-positioning	2

### 12.8 Safety Devices Inspection

- 1 Taping units blade guard
- 2 Latching emergency stop button
- 3 STOP (OFF) (O) main switch

## 12-OPERATION (continued)

---

### 12.9 Troubleshooting Guide

<b>Problem</b>	<b>Cause</b>	<b>Correction</b>
Drive belts do not convey boxes	Narrow boxes	Check machine specifications. Boxes are narrower than recommended, causing slippage and premature belt wear.
	Worn drive belts	Replace drive belts
	Top taping head does not apply enough pressure	Adjust the box height adjustment with the crank
	Top flap compression rollers in too tight	Readjust compression rollers
	Taping head applying spring holder missing	Replace spring holder
Drive belts do not turn	Taping head applying spring set too high	Reduce spring pressure
	Worn or missing friction rings	Replace friction rings
	Drive belt tension too low	Adjust belt tension
	Electrical disconnect	Check power and electrical plug
Drive belt break	Motor not turning	Evaluate problem and correct
	Worn belt	Replace belt
Squeaking noise as boxes pass through machine	Excessive belt tension	
	Dry column bearings	Tension to 3.5 kg [7 lbs] per adjustment section
	Defective column bearings	Lubricate column bearings Replace column bearings
Tape not centered on box seam	Tape drum not centered	Reposition tape drum
	Box flaps not of equal length	Check box specifications

---

## 13-MAINTENANCE AND REPAIRS

### 13.1 Safety Measures (see section 3)

Carrying out maintenance and repairs may imply the necessity to work in dangerous situations.

### 13.2 Tools and Spare Parts Supplied with the Machine

See Spare Parts Order Section.

### 13.3 Recommended Frequency of Inspection and Maintenance Operations

Operation	Frequency	Qualification	Sections
Inspection safety features	daily	1	13.4
Cleaning of machine	weekly	1	13.5
Cleaning of cutter blade	weekly	2	13.6
Oiling of felt pad	weekly	2	13.7
Lubrication	monthly	2	13.7-13.8
Blade replacement	when worn	2	See Manual 2
Drive belt replacement	when worn	2	13.10

### 13.4 Inspections to be Performed Before and After Every Maintenance Operation

Before every maintenance operation, Push the main switch OFF (O) and disconnect. During the maintenance operation, only properly trained and qualified personnel must work on the machine. At the end of every maintenance operation check the safety devices.

### 13.5 Check Efficiency of Safety Features

1. Blade guard assembly upper taping head
2. Blade guard assembly lower taping head
3. Latching Emergency stop button with mechanical lock (interrupt supply of electrical power)
4. Push the main switch STOP/OFF (O)
5. Safety guards top drive belts

### 13.6 Cleaning of Machine

#### Qualification 1

A weekly cleaning with dry rags or diluted detergents is necessary. Cardboard boxes produce a significant quantity of dust and paper chips when processed or handled in case sealing equipment. If this dust is allowed to build up on machine components, it can cause component wear and over-heating of drive motors. The dust build up is best removed from the machine with a vacuum cleaner. Depending on the number of cartons processed, this cleaning should be done weekly. Excessive build-up that cannot be removed by vacuuming should be removed with a damp cloth.

### 13.7 Cleaning of Cutter Blade

#### Qualification 2

Should tape adhesive build-up occur, carefully wipe clean with oily cloth or brush (**Figure 13-1**). Oil prevents the build-up of tape adhesive.

(See Manual 2)



## WARNING

- **To reduce the risk associated with mechanical and electrical hazards:**
  - Read, understand, and follow all safety and operating instructions before operating or servicing the case sealer.
  - Allow only properly trained and qualified personnel to operate and service this equipment.
- **To reduce the risk associated with pinches, entanglement and hazardous voltage:**
  - Turn electrical supply off and disconnect before performing any adjustments, maintenance or servicing the machine or taping heads.





## WARNING

- To reduce the risk associated with pinch, entanglement and hazardous voltage:
  - Turn electrical supply off and disconnect before performing any adjustments, maintenance or servicing the machine or taping heads

### 13.8 Drive Belt Replacement

**Note** – 3M recommends the replacement of drive belts in pairs, especially if belts are unevenly worn.

Replacement - See Steps 1 thru 8

Tension Adjustment - See Steps 3, 7 and 9.

1. Crank the upper taping head to its fully raised position.
2. Remove and retain the three (3) screws (A), three (3) washers (B) and side cover (C). **See Figure 13-4.**
3. Remove and retain the screw (D), washer (E) and belt tensioner cover (F).
4. Turn belt adjustment screws (G) counterclockwise on both the upper and lower tension assemblies until belt is loose. **See Figure 13-5.**
5. Locate the belt lacing (joint) by turning the belt manually. Remove the pin with pliers. Remove and discard old belt.



## WARNING

- To reduce the risk associated with mechanical and electrical hazards:
  - Allow only properly trained and qualified personnel to operate and/or service this equipment

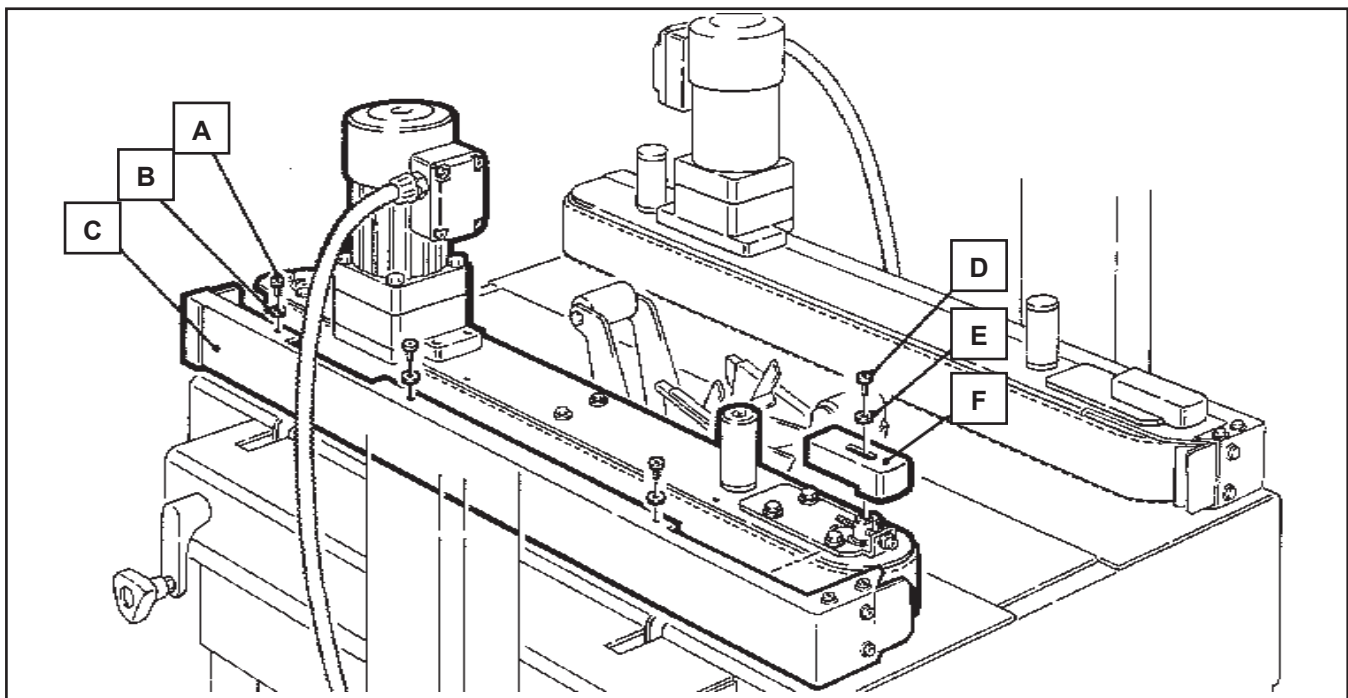


Figure 13-4 – Box Drive Belt (Left Side View – Infeed End)

 **WARNING**

- To reduce the risk associated with pinch, entanglement and hazardous voltage:
  - Turn electrical supply off and disconnect before performing any adjustments, maintenance or servicing the machine or taping heads

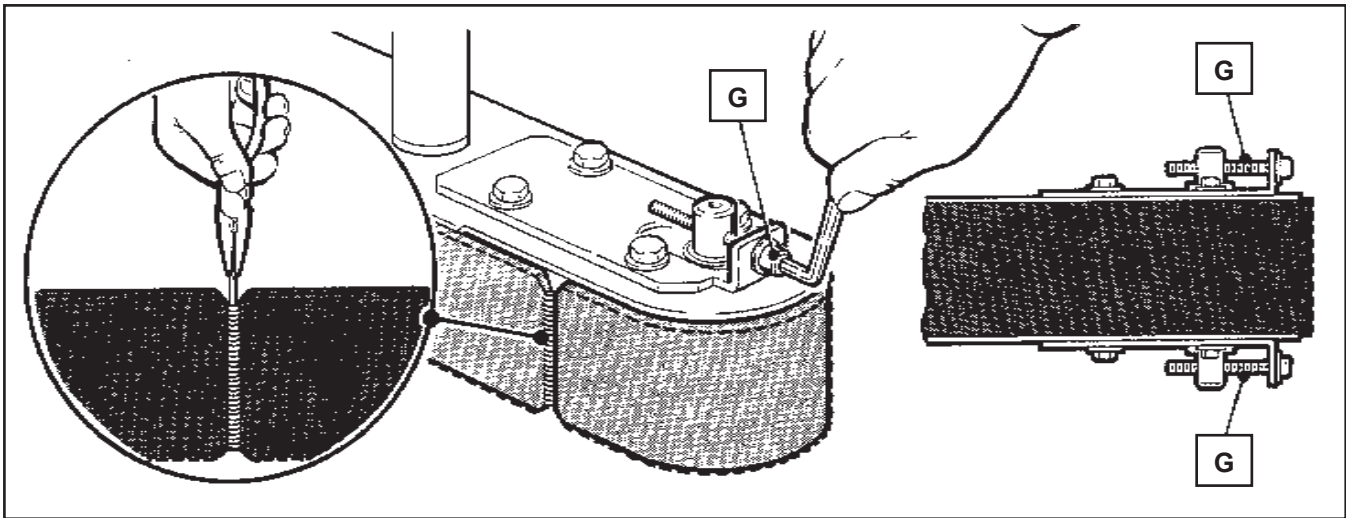


Figure 13-5 – Box Drive Assembly, Infed End

6. Install the new belt around drive rollers and insert new pin. Pin must not extend beyond edge of belt.
7. To set drive belt tension, turn adjustment screws (G) equally on both the upper and lower tension assemblies. Turn the screws clockwise to increase tension or counterclockwise to decrease tension. **See Figure 13-5.**

Use a force gauge to pull the belt outward  
25mm [1 inch] at mid span, as shown with a moderate pulling force of 3.5 kg [7 lbs].

8. Reverse procedures in Steps 1-3 (**Figure 13-4**) to reassemble the drive belt assembly.

**Important** – Before installing new drive belt, check the belt inside surface for drive direction arrows and install belt accordingly. If no arrows are shown, the belt may be installed either way.

### 13.9 Drive Pulley Rings

Before installing a new belt, check the orange plastic drive pulley rings for wear. If torn, broken, or worn smooth, replace the rings (**Figure 13-6**).

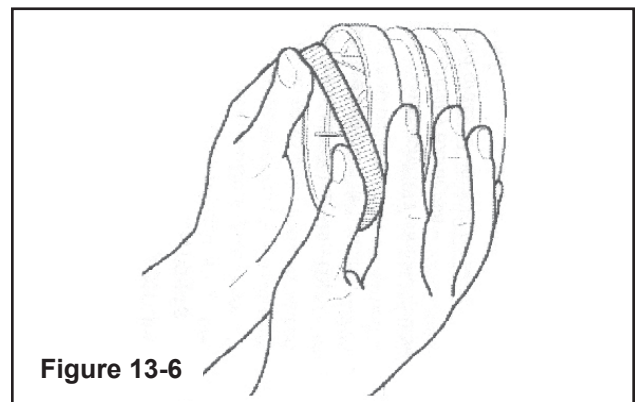


Figure 13-6



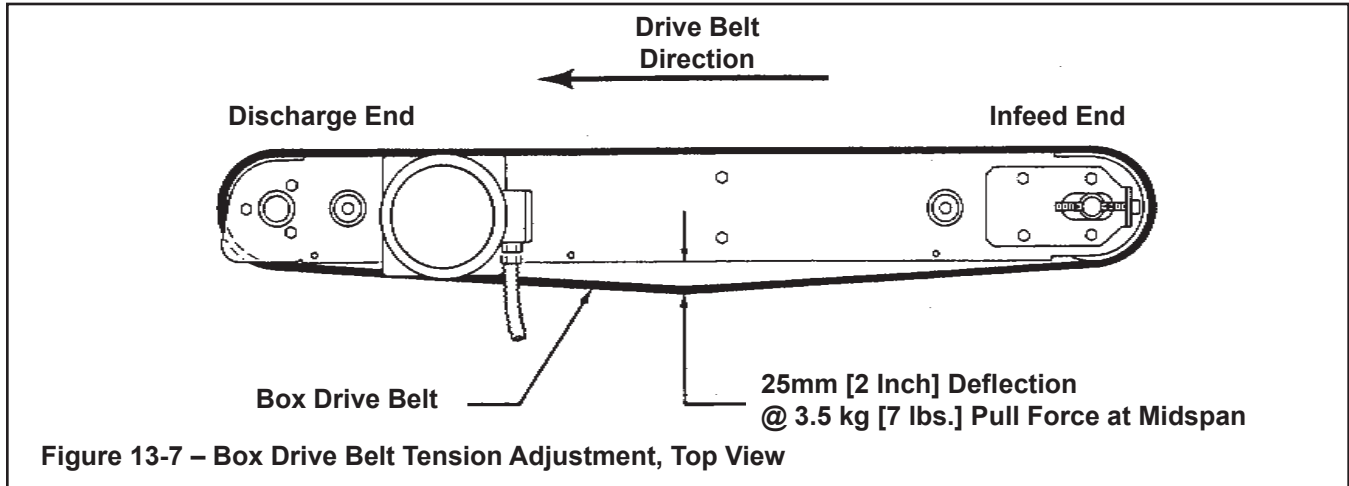


Figure 13-7 – Box Drive Belt Tension Adjustment, Top View



**WARNING**

- **To reduce the risk associated with pinch, entanglement and hazardous voltage:**
  - Turn electrical supply off and disconnect before performing any adjustments, maintenance or servicing the machine or taping heads

**13.10 Drive Belt Tension**

Tension adjustment of the drive belts may be required during normal operation. Belt tension must be adequate to positively move the box through the machine and they should run fully on the surface of the pulleys at each end of the frame. The idler pulleys on the infeed end are adjusted in or out to provide proper belt tension. Each belt is adjusted separately.

Belt tension is obtained by tightening the adjustment screw so that a moderate pulling force of 3.5 kg [7 lbs] applied at the mid span, as shown in **Figure 13-7**, will deflect the belt 25mm [1 inch]. This will assure positive contact between the belt and the drive pulley on the discharge end of the taping head.

To adjust belts, see "Maintenance – Drive Belts", steps 3 and 7.

**13.11 Special Set-Up Procedure**



**WARNING**

- **To reduce the risk associated with mechanical and electrical hazards:**
  - Turn electrical and air supply off and disconnect before performing any adjustments, maintenance, or servicing the machine or taping heads

The following changes to the case sealer will allow taping boxes 90mm [3-1/2 inches] minimum height.

**13.11.1 Case Sealer Frame  
(Refer to Figure 13-8A)**

1. Raise the upper head assembly (by turning crank handle counterclockwise). Remove and retain the two screws and washers from the normal position holes "A-A".
2. Remount and secure the stop bracket in the lower position "A" using the top holes and original fasteners. Relocate both the right and left stop brackets.

13.11.2 Taping Heads  
(Refer to Figure 13-8B and Figure 13-8C)

Taping Head Adjustments



**WARNING**

- **To reduce the risk associated with sharp blade hazards:**
  - Keep hands and fingers away from tape cutoff blades under orange blade guards. The blades are extremely sharp

TAPE WEB ALIGNMENT – Manual 2

TAPE DRUM FRICTION BRAKE – Manual 2

APPLYING MECHANISM SPRING – Manual 2

ONE-WAY TENSION ROLLER – Manual 2

TAPE LEG LENGTH

Leading Tape Leg Length Adjustment – Manual 2

Changing Tape Leg Length from 70 to 48mm [2-3/4 to 2 inches] – Manual 2

**Note** – Changing tape leg to 48mm [2 inches] requires machine adjustment also. See "Special Set-Up Procedure – Changing Tape Leg Length".

1. Loosen, but do not remove, the two (2) retaining screws that secure the upper taping head shown in **Figure 13-8B**.

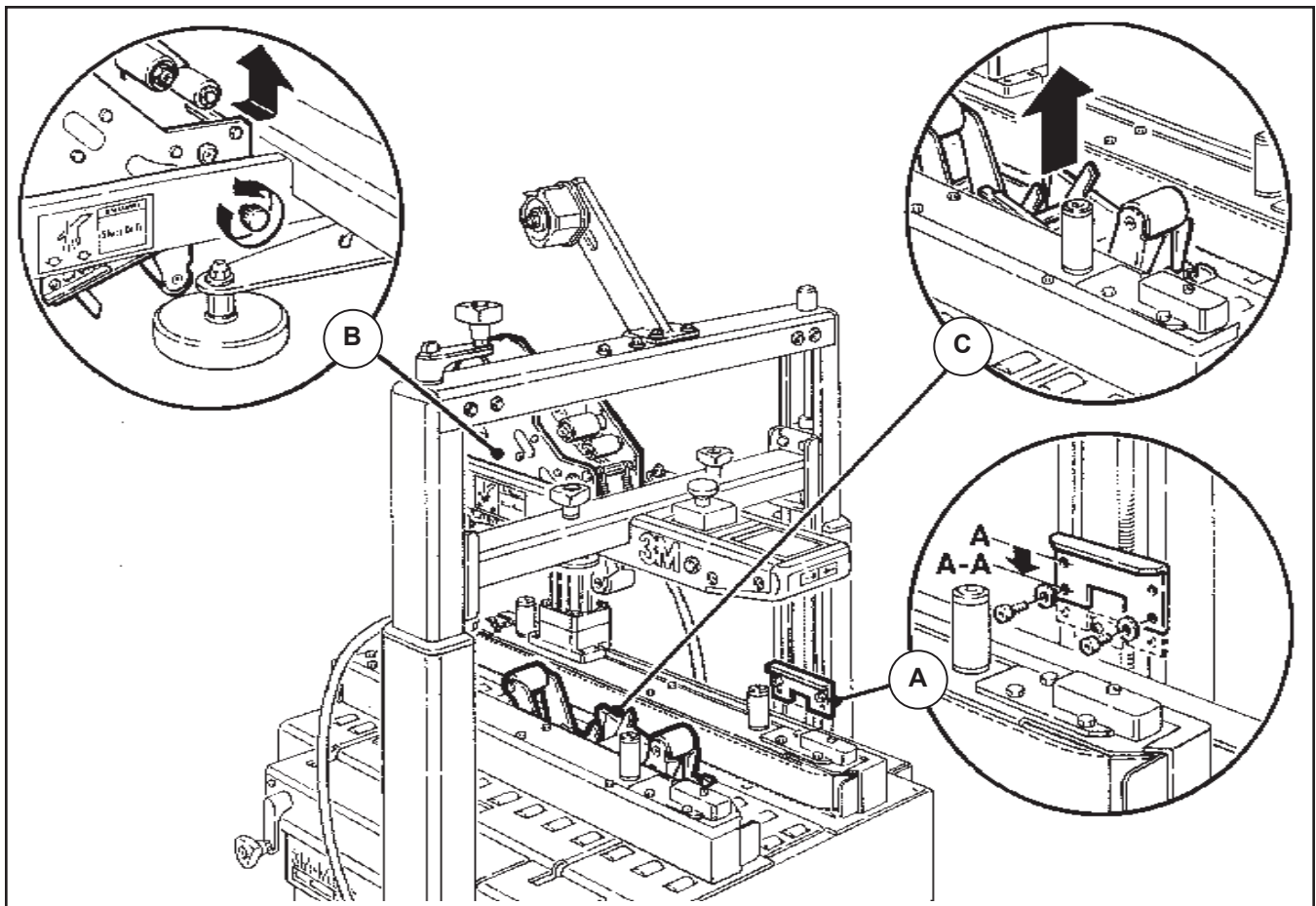


Figure 13-8 – Removing Taping Heads From Case Sealer

13.11.2 Special Set-Up Procedure (continued)



**WARNING**

- To reduce the risk associated with muscle strain:
  - Use proper body mechanics when removing or installing taping heads that are moderately heavy or may be considered awkward to lift

2. Slide the head forward and lift straight up to remove it from the case sealer.
3. Lift the lower taping head, shown in **Figure 13-8C**, straight up to remove it from the case sealer bed.
4. Refer to Manual 2 (Taping Head), See "Adjustments – Changing Tape Leg Length" for taping head set-up.

**13.13.3 Drive Belt Assembly Height**

The drive belt assemblies can be raised 48mm [2 inches] to provide better conveying of tall boxes. This change increases the minimum box height that can be taped to 190mm [7-1/4 inches].

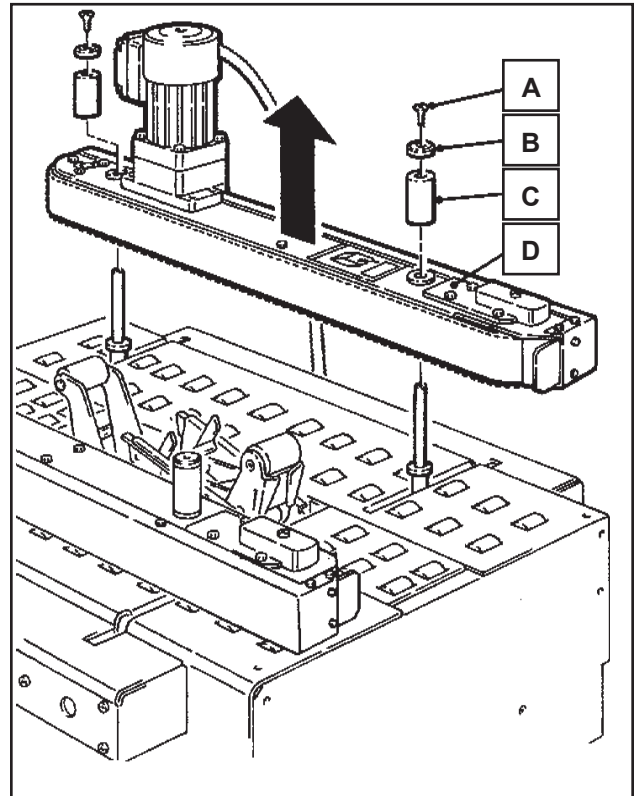
**Disassemble – Figure 13-9**

1. It is first necessary to raise the top taping head. Utilize the height adjustment crank and move the upper taping head to the fully raised position.
2. Remove and retain the screw (A), cap washer (B) and spacer (C) from the front and rear arm assembly pivots.
3. Lift belt drive assembly (D) up off the arm assembly pivots.

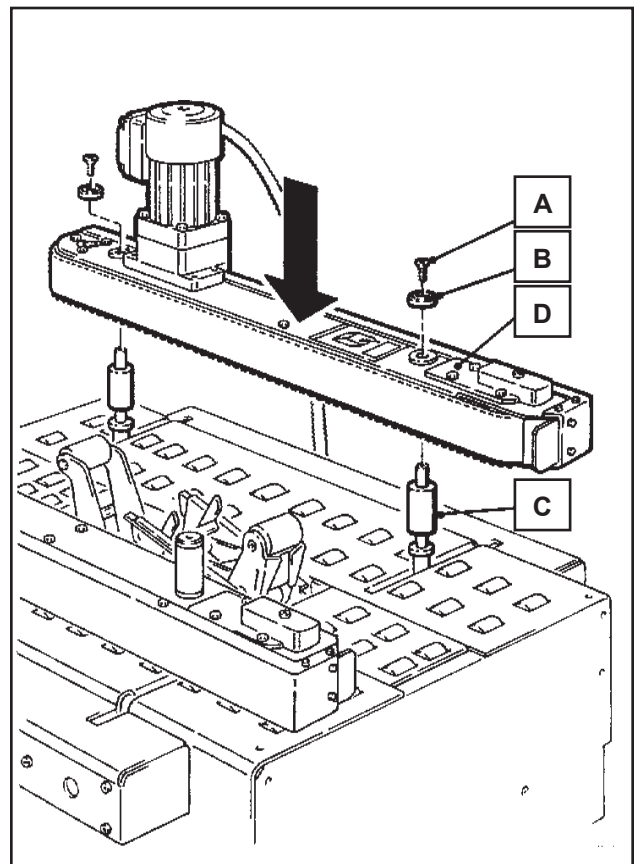
**Reassemble – Figure 13-10**

4. Reassemble the spacer (C) onto the front and rear arm assembly pivots.
5. Install the belt drive assembly (D) onto the pivots and secure with the cap washers (B) and screws (A).

**Note** – Both drive belt assemblies must be installed at the same operating height.





**Figure 13-9 – Drive Belt Assembly, Disassembly**



**Figure 13-10 – Drive Belt Assembly, Reassembly**

Special Set-Up Procedure (continued)

 <b>WARNING</b>
<ul style="list-style-type: none"><li>• <b>To reduce the risk associated with mechanical and electrical hazards:</b><ul style="list-style-type: none"><li>– Turn electrical and air supply off and disconnect before performing any adjustments, maintenance, or servicing the machine or taping heads</li></ul></li></ul>

 <b>WARNING</b>
<ul style="list-style-type: none"><li>• <b>To reduce the risk associated with muscle strain:</b><ul style="list-style-type: none"><li>– Use the appropriate rigging and material handling equipment when lifting or repositioning this equipment</li><li>– Use proper body mechanics when removing or installing taping heads that are moderately heavy or may be considered awkward to lift</li></ul></li></ul>

**13.11.4 Box Height Range**

(Outer Column – Re-Positioning)

Moving the outer columns to the upper set of mounting holes increases the maximum box size (height) handled by the case sealer from 620mm [24-1/2 inches] to 725mm [28-1/2 inches]. **Note –** this also increases the minimum box height from 120 mm [4-3/4 inches] to 210mm [8-1/4 inches].

To Re-position the outer columns:

1. Remove special nut from the bottom of each column lead screw - **Figure 13-11A.**
2. Remove plastic column cap from the top of each outer column as shown in **Figure 13-11B.**
3. Crank upper assembly up, out of plastic nuts. Lift upper assembly up and out of outer columns. Be careful not to damage lead screws. **Figure 13-11C.**

13.11.4 Special Set-Up Procedure (continued)

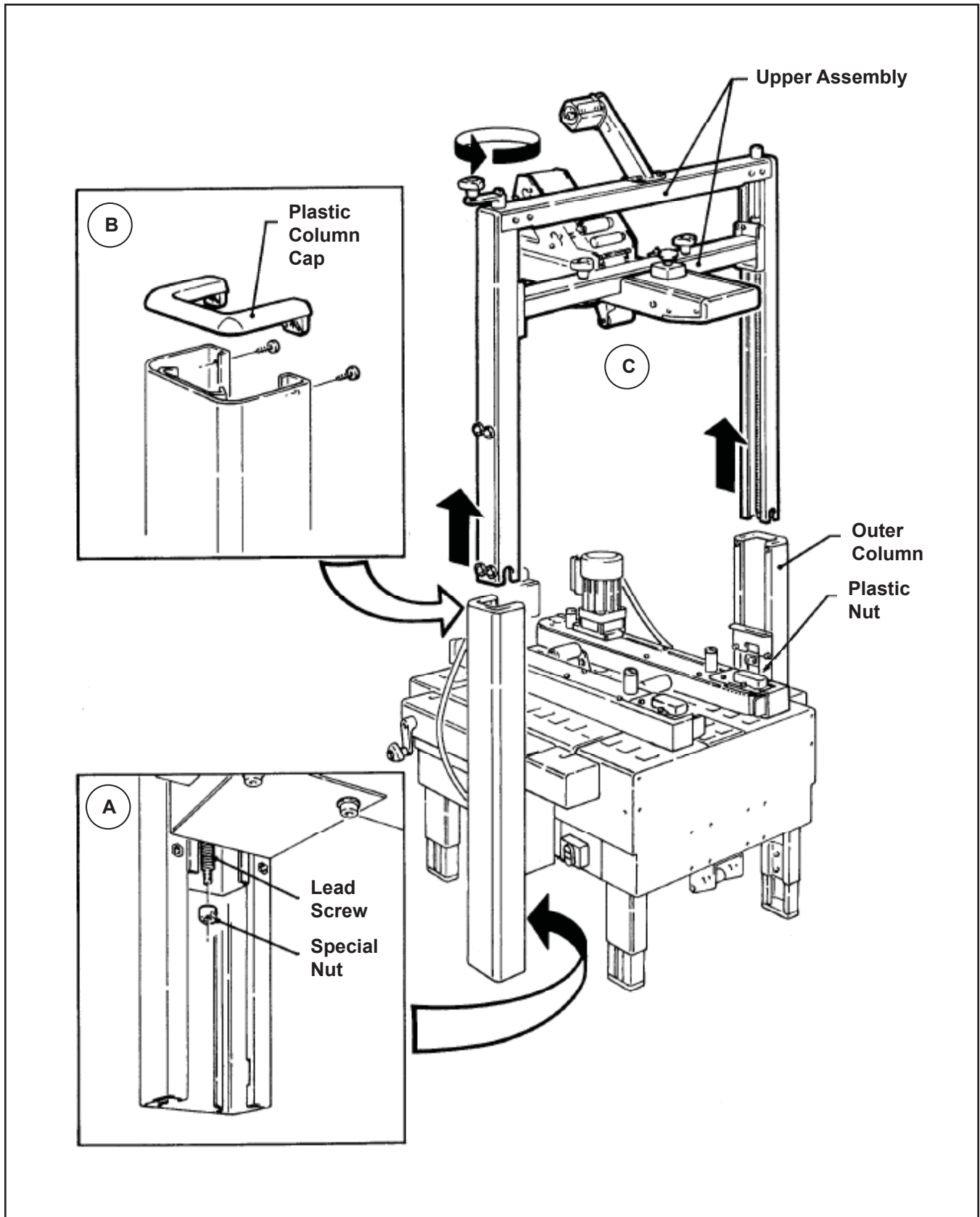


Figure 13-11 – Upper Frame Removal

13.11.4 Special Set-Up Procedure (continued)

4. Remove M6 x 16 hex hd screw, special washer and drive belt width adjustment crank - **Figure 13-12.**
5. Remove side covers (2) from each side of machine bed - **Figure 13-12.**
6. Remove chain. If necessary, slip width adjustment crank on shaft and rotate until chain master link is in convenient position for removal.

**Important** – Before removing chain, mark both front and rear sprockets/chain with chalk or paint to be sure sprockets/chain when re-assembled, will be in same position as before disassembly. **Figure 13-13A** and **Figure 13-11B.** Do not rotate sprockets once chain is removed. (This would result in the right and left drive assemblies not being parallel.)

Remove chain master link and remove chain. **Figure 13-13C.**

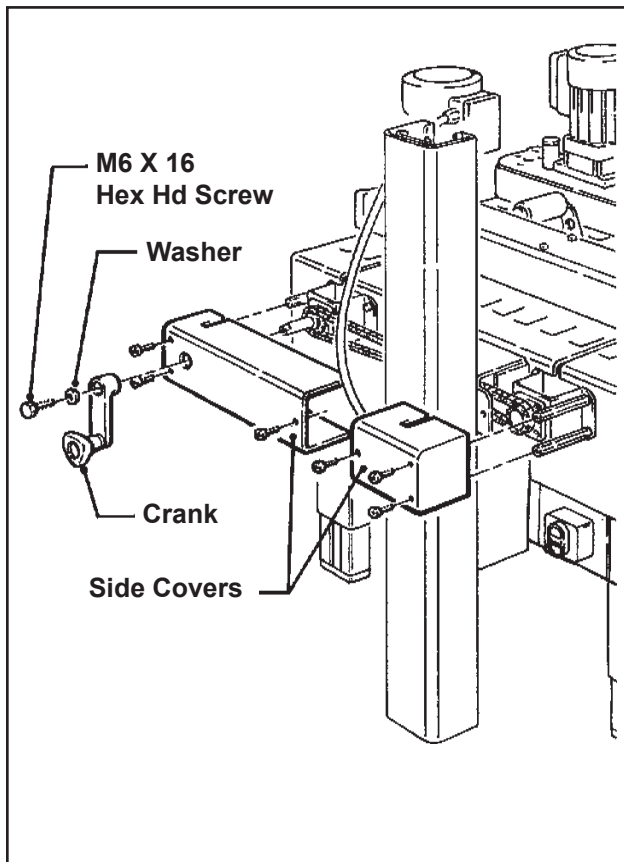


Figure 13-12 – Crank/Chain Guards

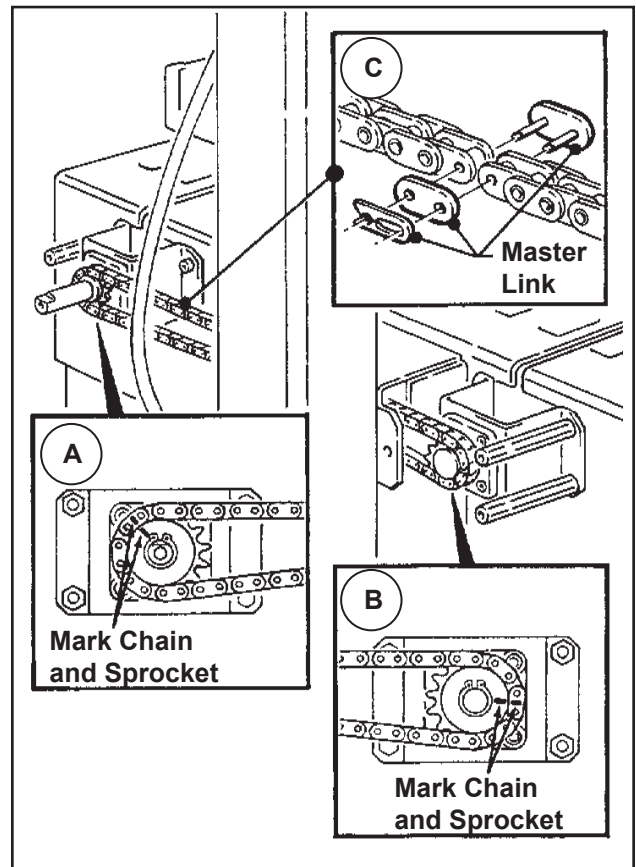


Figure 13-13 – Chain Removal

13.11.4 Special Set-Up Procedure (continued)

7. Remove fasteners (M8 x 16 socket head screws and M6 plain washers) that attach column spacers to machine bed and remove spacers/outer columns from machine bed. **Figure 13-14A.**
8. Remove fasteners (M8 x 20 socket head screws) that attach spacers to columns, move spacer down 100mm [4 inches] to lower set of mounting holes and re-attach spacers to columns. **Figure 13-14B.**
9. Reverse procedure to reassemble machine.

**Note** – When installing upper assembly back into machine (removed in Step 3), slide upper assembly down into outer columns until lead screws contact plastic nuts and support upper assembly. Then, slowly turn height adjustment crank counterclockwise until two "clicks" are heard, one at each plastic nut. Now the upper assembly can be cranked down (turn height adjustment crank clockwise) for installation of special nut on bottom of each lead screw.

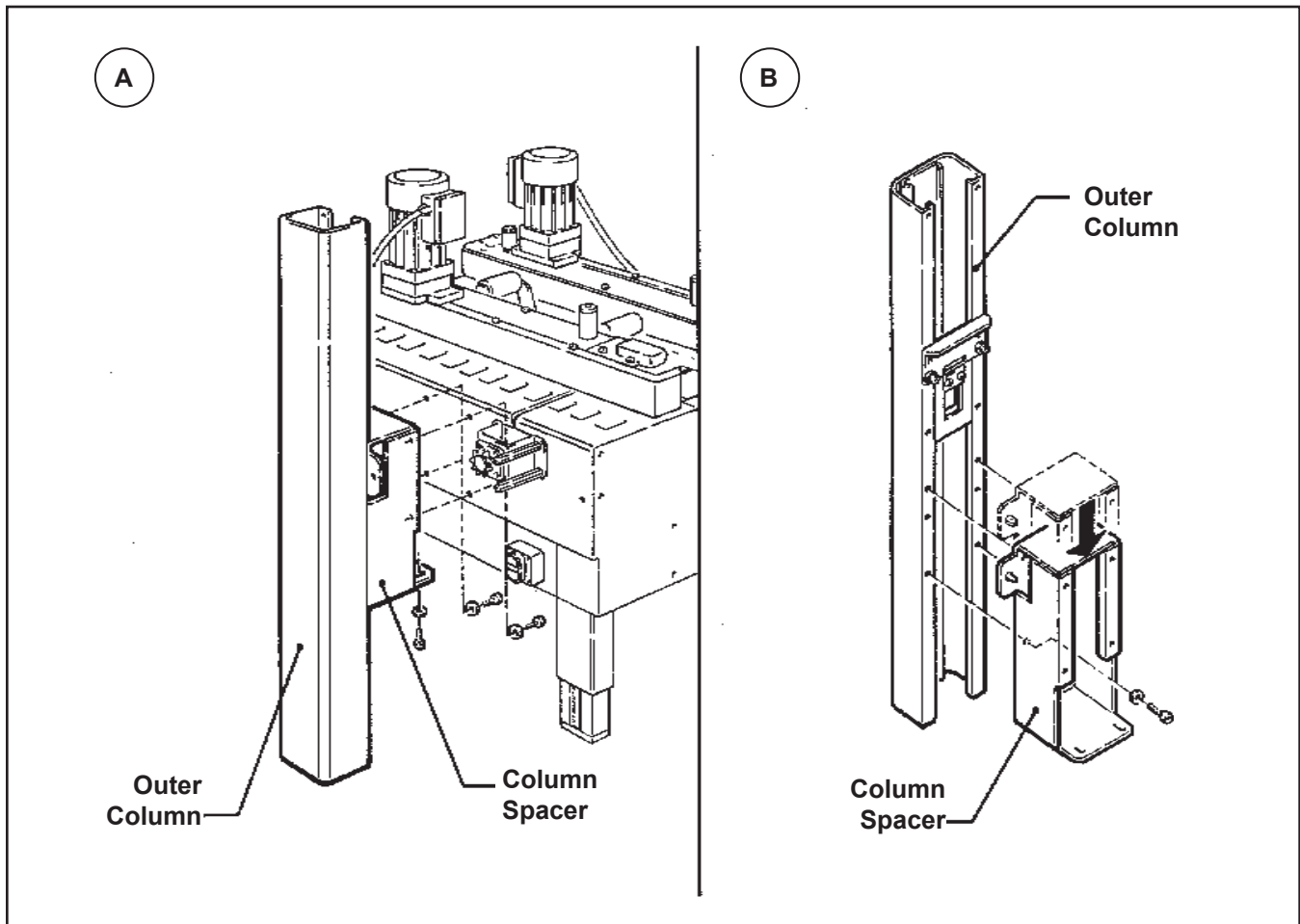


Figure 13-14 – Column Spacers/Columns

THIS PAGE IS BLANK





THIS PAGE IS BLANK

**14.1 Information for Disposal of Machine (ELV)**

The machine is composed of the following materials:

- Steel structure
- Nylon rollers
- Drive belts in PVC
- Nylon pulleys

For machine disposal, follow the regulations published in each country.

**14.2 Emergency Procedures**

In case of danger/fire:  
Disconnect plug of power cable from power supply.  
(Figure 14-1)

**IN CASE OF FIRE**

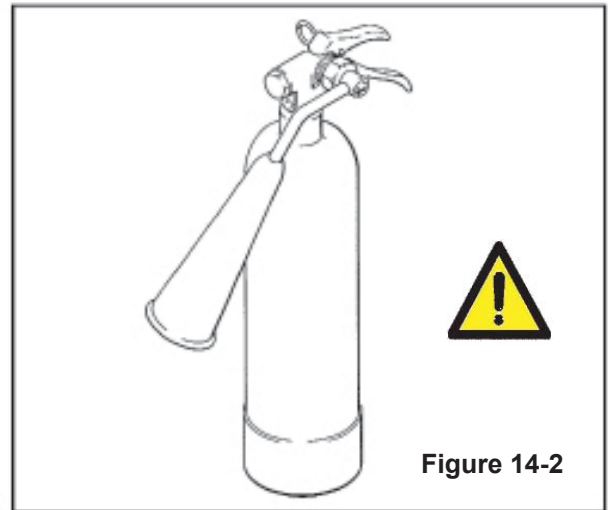
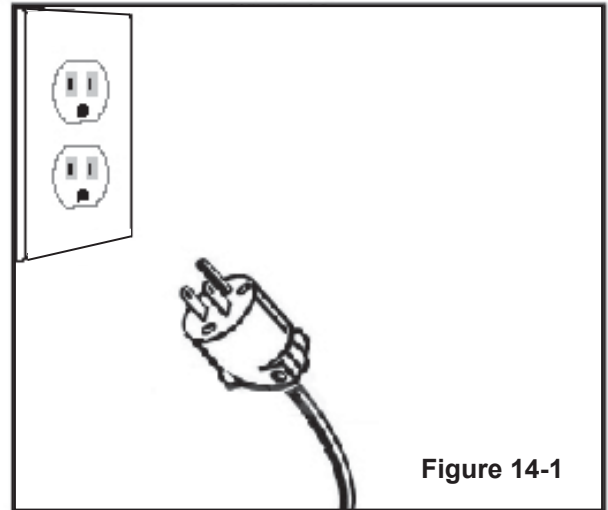
Use a fire extinguisher that is rated for electrical fires  
(Figure 14-2).

**15.1 Statement of Conformity**

Not Applicable.

**15.2 Emission of Hazardous Substances**

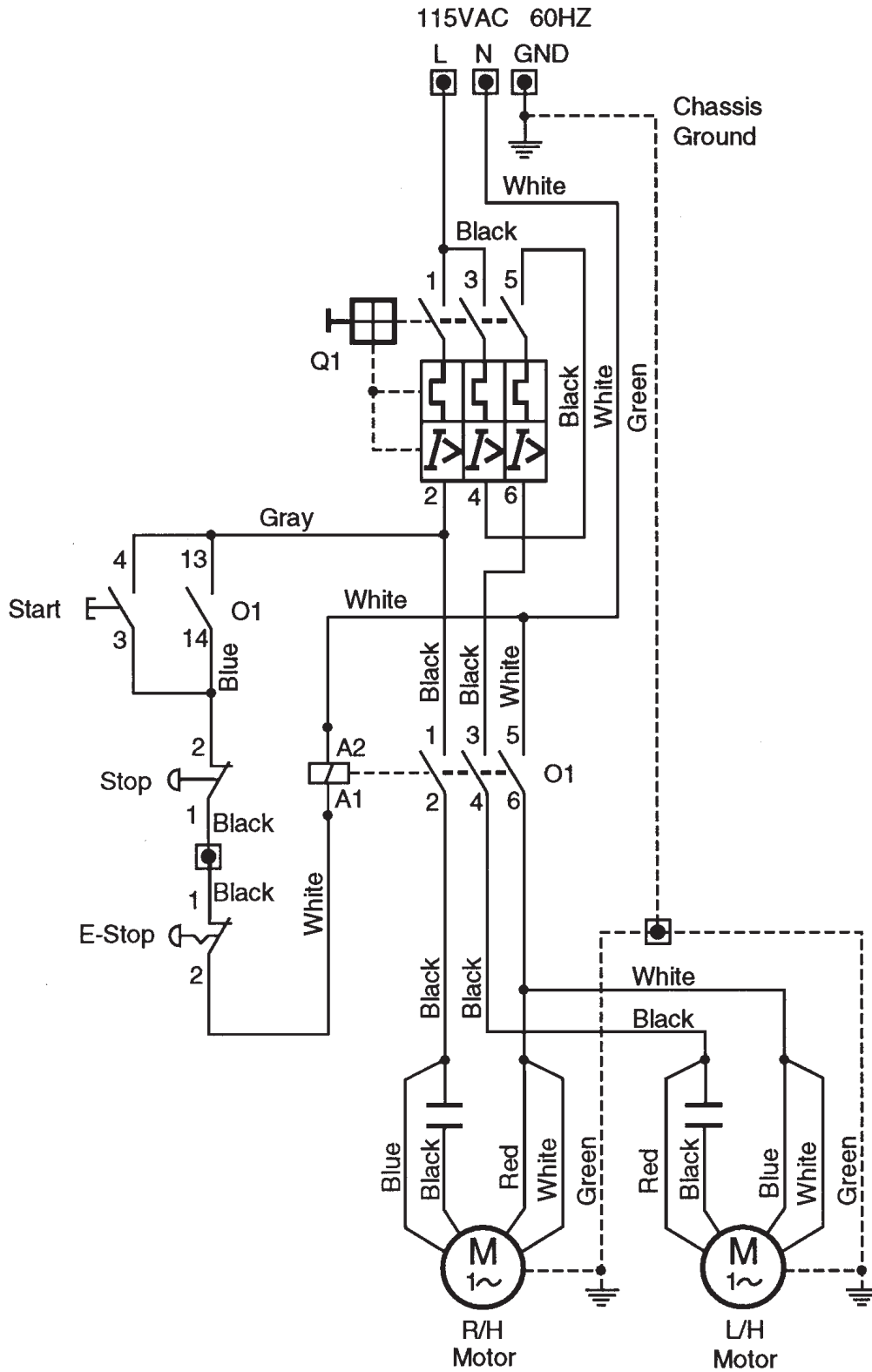
Nothing to report



THIS PAGE IS BLANK

# 16-TECHNICAL DIAGRAMS

## 16.1 Electric Diagram



## 16.2 Spare Parts Order

### Replacement Parts Ordering Information and Service

Refer to the first page of this instruction manual "Replacement Parts and Service Information".

#### Order parts by quoting the following information:

(Refer to the Identification Plate on the Machine)

- MACHINE MODEL
- SERIAL NUMBER
- FIGURE NO.
- POSITION
- 3M PART NO. (11 DIGITS)
- DESCRIPTION
- QUANTITY

Refer to Manual 2 for recommended taping head spare parts.

#### **Important!**

The machine is constantly revised and improved by our designers. The spare parts catalogue is also periodically updated. It is very important that all the orders of spare parts make reference to the serial number of the machine (located on the identification plate on the machine)

The manufacturer reserves the right to modify the machine at any time without notice.

**It is suggested that the following spare parts be ordered and kept on hand.**

#### 800a3

Qty.	3M-Part Number	Description
2	78-8076-5452-6	Belt-Drive W/Hook

#### Tool Kit

A tool kit, part number TBA, is available as a stock item. The kit contains the necessary open end and hex socket wrenches for use with the metric fasteners on the case sealer. The threading tool, part number 78-8076-4726-4, contained in above kit is also available as a replacement stock item.

#### Label Kit

In the event that any labels are damaged or destroyed, they must be replaced to ensure operator safety. A label kit, part number 78-8060-8476-6, is available as a stock item. It contains all the safety labels used on the 800a3 Adjustable Case Sealer.

## 800a3 Adjustable Case Sealer, Type 40800 Frame Assemblies

### To Order Parts:

---

1. Refer to first illustration, **Frame Assemblies**, for the **Figure Number** that identifies a specific portion of the machine.
2. Refer to the appropriate **Figure or Figures** to determine the parts required and the parts reference number.
3. The Parts List that follows each illustration, includes the **Reference Number, Part Number and Part Description** for the parts on that illustration.

**Note** – The complete description has been included for standard fasteners and some commercially available components. This has been done to allow obtaining these standard parts locally, if desired.

4. Order parts by Part Number, Part Description and Quantity required. Also include the model/machine name, machine type, and serial number that are located on the identification plate.
5. Refer to the first page of this instruction manual “**Replacement Parts and Service Information**” for replacement parts ordering information.

**Important** – Not all the parts listed are normally stocked items. Some parts or assemblies shown are available only on special order. Contact 3M/Tape Dispenser Parts to confirm item availability.

### Options and Accessories

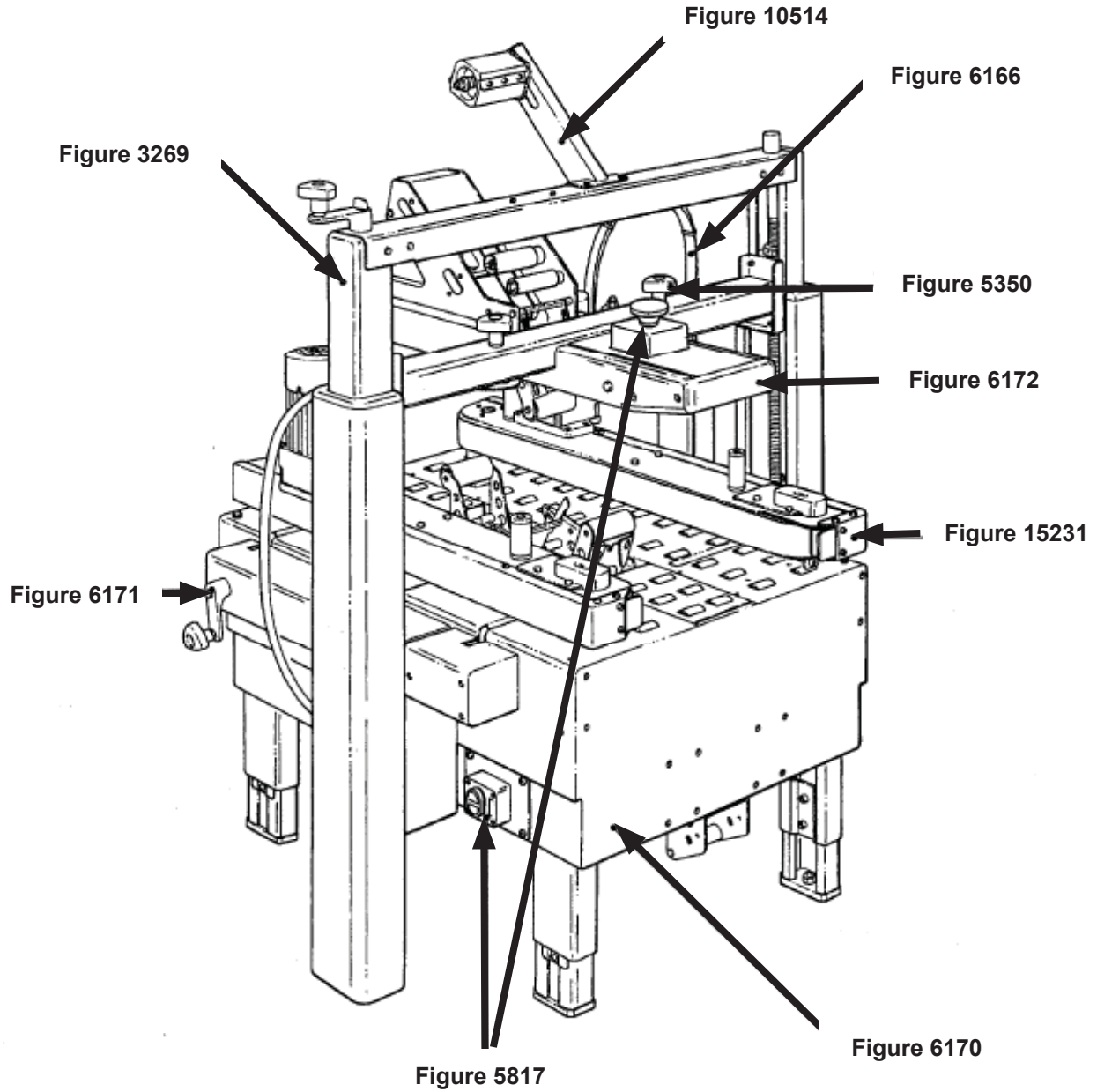
For additional information on the options and accessories listed below, contact your 3M Representative.

<b>Part Number</b>	<b>Option/Accessory</b>
78-8052-6553-1	Box Hold Down Attachment
78-8069-3983-7	Caster Kit Attachment
78-8069-3924-1	Conveyor Extension Attachment
70-0064-4963-4	AccuGlide 3 Upper Taping Head - 3 inch, Type 10800
70-0064-4962-6	AccuGlide 3 Lower Taping Head - 3 inch, Type 10800
78-8069-3926-6	Low Tape Sensor Kit
78-8095-4852-8	3-Inch Tape Edge Fold Attachment, Upper Head
78-8095-4853-6	3-Inch Tape Edge Fold Attachment, Lower Head
78-8114-0940-4	Three Flap Folder Kit

THIS PAGE IS BLANK



800a3 Adjustable Case Sealer



Frame  
Assemblies

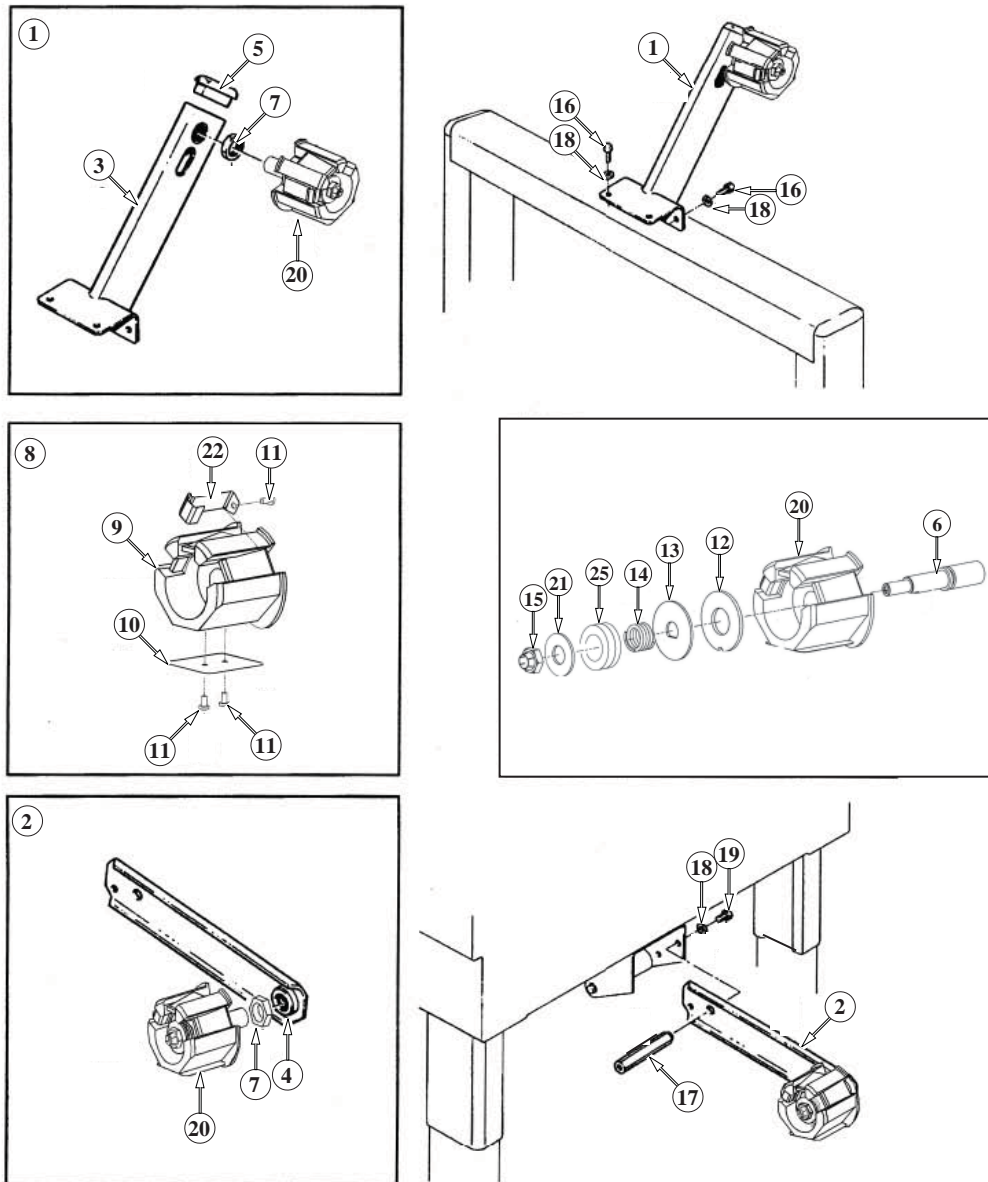


Figure 10514

800a3

Figure 10514

Ref. No.	3M Part No.	Description
10514-1	78-8070-1564-5	Tape Roll Bracket Assembly
10514-2	78-8070-1565-2	Tape Drum Bracket Assembly
10514-3	78-8070-1566-0	Bracket – Tape Drum
10514-4	78-8070-1395-4	Bracket – Bushing Assembly
10514-5	78-8070-1568-6	Cap – Bracket
10514-6	78-8060-8462-6	Shaft – Tape Drum, 3 Inch Head
10514-7	78-8017-9169-6	Nut – M18 x 1
10514-8	78-8098-8829-6	Tape Drum Sub Assembly –3 Inch Wide
10514-9	78-8098-8828-8	Tape Drum
10514-10	78-8098-8830-4	Leaf Spring
10514-11	26-1002-5753-9	Screw – Self Tapping
10514-12	78-8060-8172-1	Washer – Friction
10514-13	78-8052-6271-0	Washer – Tape Drum
10514-14	78-8100-1048-4	Spring – Core Holder
10514-15	78-8017-9077-1	Nut – Self-Locking, M10 x 1
10514-16	78-8032-0375-7	Screw – Hex Hd M6 x 16
10514-17	78-8070-1215-4	Spacer – Stud
10514-18	26-1000-0010-3	Washer – Flat M6
10514-19	78-8010-7169-3	Screw – Hex Hd M6 x12
10514-20	78-8133-9641-9	Tape Drum Assembly – 3 Inch Head
10514-21	26-1004-5510-9	Washer – Plain, M10
10514-22	78-8097-8816-3	Latch - Tape Drum

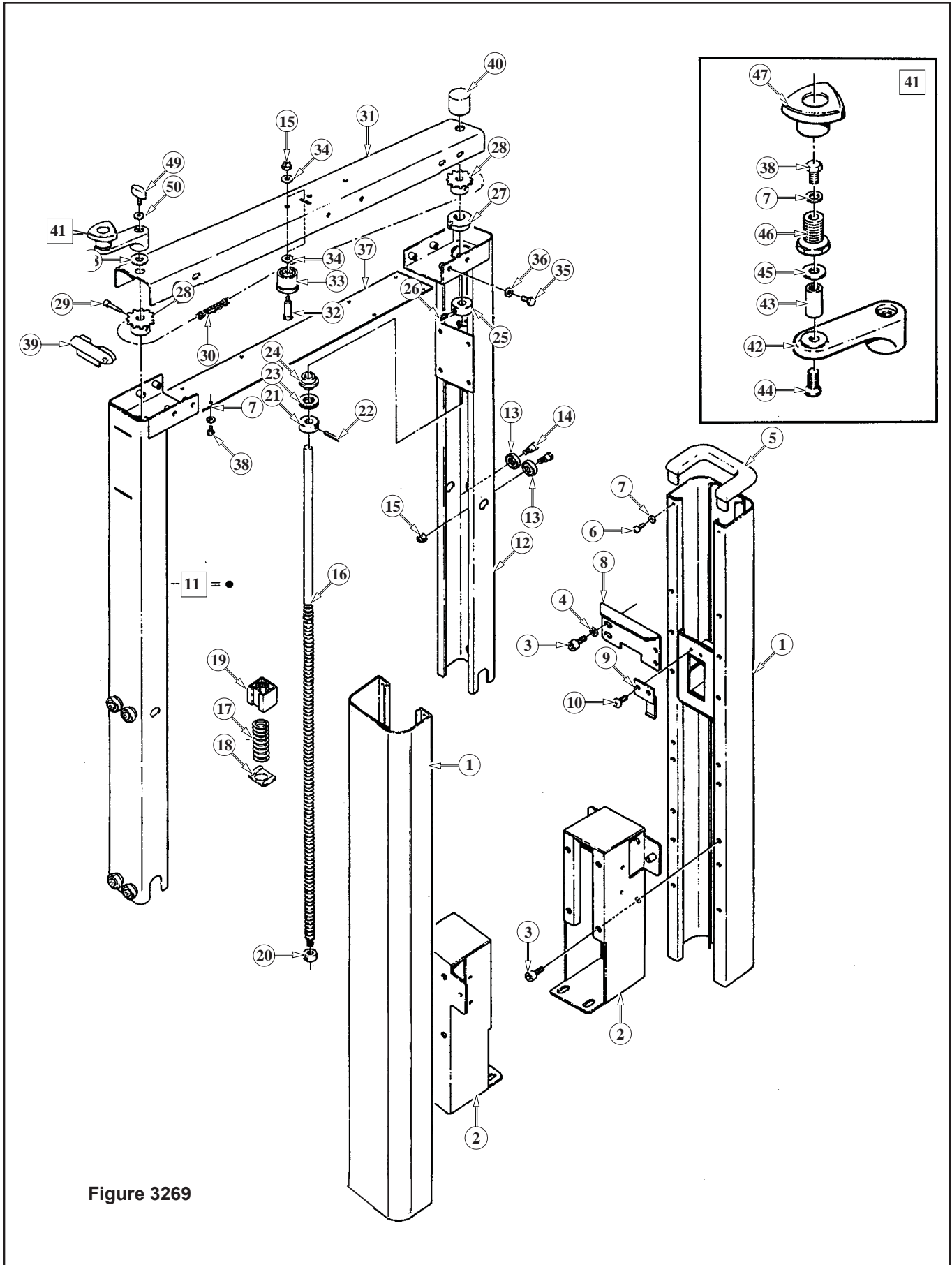


Figure 3269

Figure 3269

Ref. No.	3M Part No.	Description
3269-1	78-8060-8489-9	Column – Outer
3269-2	78-8076-5426-0	Plate
3269-3	26-1003-7964-8	Screw – Soc Hd, M8 x 20
3269-4	78-8017-9318-9	Washer – Plain 8 mm
3269-5	78-8060-8491-5	Cap – Column
3269-6	26-1002-4955-1	Screw – Self-Tap, 8P x 13
3269-7	78-8005-5740-3	Washer – Plain 4 mm
3269-8	78-8060-8492-3	Stop – Height
3269-9	78-8076-5482-3	Plate – Nut Stop
3269-10	78-8060-8087-1	Screw – M5 x 10
3269-11	78-8060-8494-9	Column Assembly – Inner
3269-12	78-8060-8495-6	Column – Inner
3269-13	78-8054-8617-8	Bearing – Special
3269-14	78-8054-8589-9	Screw – Special
3269-15	26-1003-6916-9	Nut – Locking, M6, Plastic Insert
3269-16	78-8060-8496-4	Lead Screw
3269-17	78-8054-8969-3	Spring
3269-18	78-8054-8970-1	Bed Plate For Spring
3269-19	78-8054-8571-7	Nut – Plastic
3269-20	78-8054-8968-5	Nut – Special
3269-21	78-8054-8585-7	Collar
3269-22	78-8054-8586-5	Pin
3269-23	78-8054-8584-0	Spacer
3269-24	78-8054-8583-2	Bushing
3269-25	78-8060-8497-2	Bushing – Lead Screw
3269-26	78-8059-5617-0	Set Screw – M6 x 8
3269-27	78-8060-8498-0	Bushing – Inner Column
3269-28	78-8060-8499-8	Sprocket – 3/8 Inch, Z=13
3269-29	26-1003-7946-5	Screw – Soc Hd, M4 x 25
3269-30	78-8076-4818-9	Chain – 3/8 Inch, Pitch 197
3269-31	78-8113-6803-0	Housing – Chain, W/English Language Label
3269-32	78-8060-7878-4	Idler Screw
3269-33	78-8070-1503-3	Roller – Chain Tensioning
3269-34	78-8042-2919-9	Washer – Triple, M6
3269-35	26-1003-5829-5	Screw – Hex Hd, M6 x 12
3269-36	26-1000-0010-3	Washer – Flat M6
3269-37	78-8076-5428-6	Cover
3269-38	78-8010-7157-8	Screw – Hex Hd, M4 x 10
3269-39	78-8070-1505-8	Cap – Inner Column
3269-40	78-8070-1506-6	Cover – Screw
3269-41	78-8076-4807-2	Crank Assembly
3269-42	78-8076-5422-9	Crank
3269-43	78-8070-1509-0	Shaft – Crank
3269-44	26-1005-5316-8	Screw – Flat Hd Hex Dr, M5 x 16
3269-45	78-8070-1510-8	Washer – Nylon, 7 x 15 x 1
3269-46	78-8070-1511-6	Bushing
3269-47	78-8070-1512-4	Knob – VTR-B-M12
3269-48	78-8076-4800-7	Washer – Crank
3269-49	78-8076-4821-3	Key – Stop
3269-50	78-8076-4809-8	Washer – Crank
3269-51	78-8054-8821-6	End – Cap

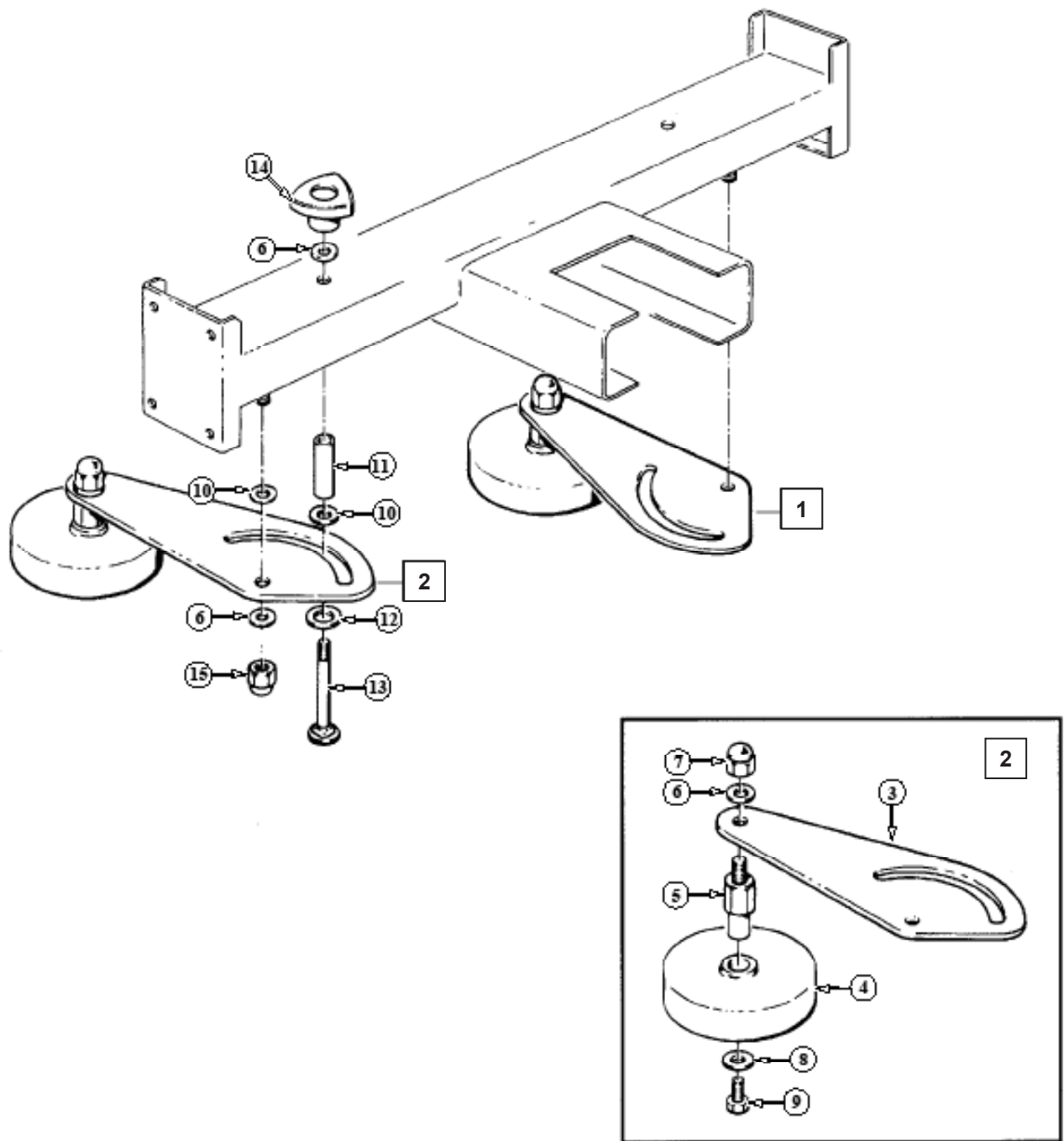


Figure 5350

## 800a3

Figure 5350

Ref. No.	3M Part No.	Description
5350-1	78-8100-0876-9	Compression Roller Assembly – R/H
5350-2	78-8100-0877-7	Compression Roller Assembly – L/H
5350-3	78-8070-1559-5	Support – Compression Roller
5350-4	78-8054-8974-3	Pressure Roller
5350-5	78-8070-1560-3	Stud – Roller Mounting
5350-6	26-1004-5510-9	Washer – Friction M10
5350-7	78-8070-1561-1	Nut – M10
5350-8	26-1004-5507-5	Washer – M8
5350-9	26-1003-5841-0	Screw – M8 x 16
5350-10	78-8017-9074-8	Washer – Nylon, 15 mm
5350-11	78-8070-1562-9	Tube – Roller Support
5350-12	12-7991-1752-3	Washer – Plain, M14
5350-13	78-8070-1563-7	Screw – M10 x 80
5350-14	78-8070-1549-6	Knob – VTR-B-M10
5350-15	26-1003-6918-5	Nut – Plastic Insert, M10 Hex Flange

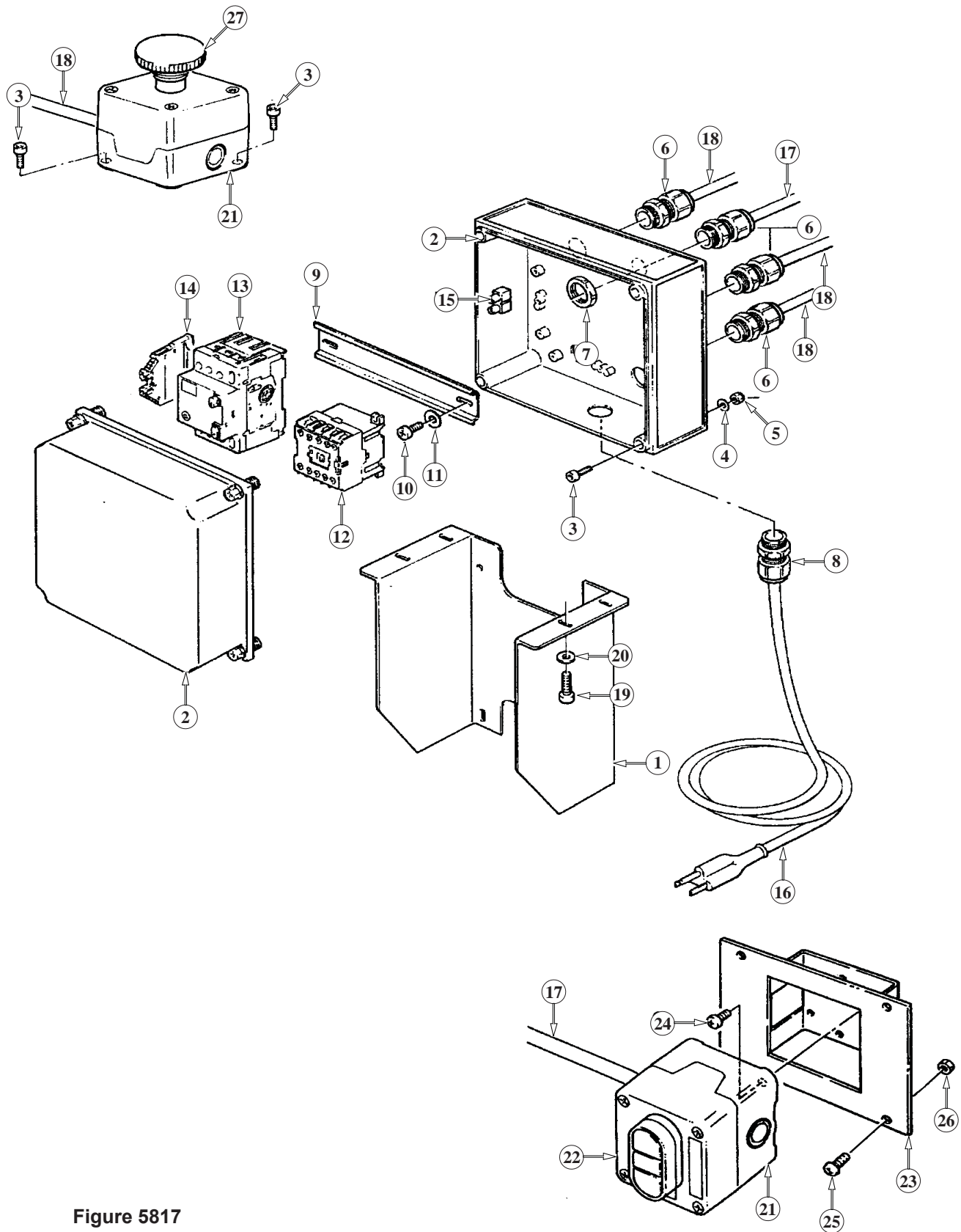


Figure 5817



Figure 5817

Ref. No.	3M Part No.	Description
5817-1	78-8094-6379-3	Support – Box
5817-2	78-8113-6759-4	Box – W/English Language Label
5817-3	78-8094-6381-9	Screw – Soc Hd, Hex Hd, M4 x 15
5817-4	78-8005-5740-3	Washer – Plain, 4 mm
5817-5	26-1003-6914-4	Nut – Plastic Insert, M4
5817-6	78-8076-4715-7	Cord Grip
5817-7	78-8076-5211-6	Set Nut – GMP 13.5
5817-9	78-8094-6382-7	Guide – Mounting
5817-10	78-8028-8208-0	Screw – 6P x 9,5
5817-11	78-8017-9018-5	Washer – Plain, M4
5817-12	78-8094-6383-5	Contactora - Allen Bradley m05
5817-13	78-8076-5378-3	Circuit Breaker - Allen Bradley 140m -C2E
5817-14	78-8094-6384-3	Clamp – VGPE 4/6
5817-15	78-8076-4968-2	Terminal
5817-16	78-8028-7909-4	Power Cord U.S.A.
5817-17	78-8100-1038-5	Cable – 3 x 20 AWG, 5 MT
5817-18	78-8060-8053-3	Wire – 3-Pole, 5 Meters Length
5817-19	26-1003-7957-2	Screw – Soc Hd, Hex Hd, M6 x 16
5817-20	26-1000-0010-3	Washer – Flat, M6
5817-21	78-8076-5194-4 	Box – E-Stop
5817-22	78-8094-6386-8	Switch – On/Off,
5817-23	78-8100-1039-3	Support – On/Off Switch
5817-24	78-8017-9257-9	Screw – Phillips Hd, M4 x 10
5817-25	78-8060-8087-1	Screw – M5 x 10
5817-26	78-8010-7417-6	Nut – Hex, M5
5817-27	26-1014-5845-8	E-Stop
5817-31	78-8100-1234-0	Collar
5817-33	78-8114-4896-4	Box – On/Off, Grey

(\* Not included with Ref. No. 1-2

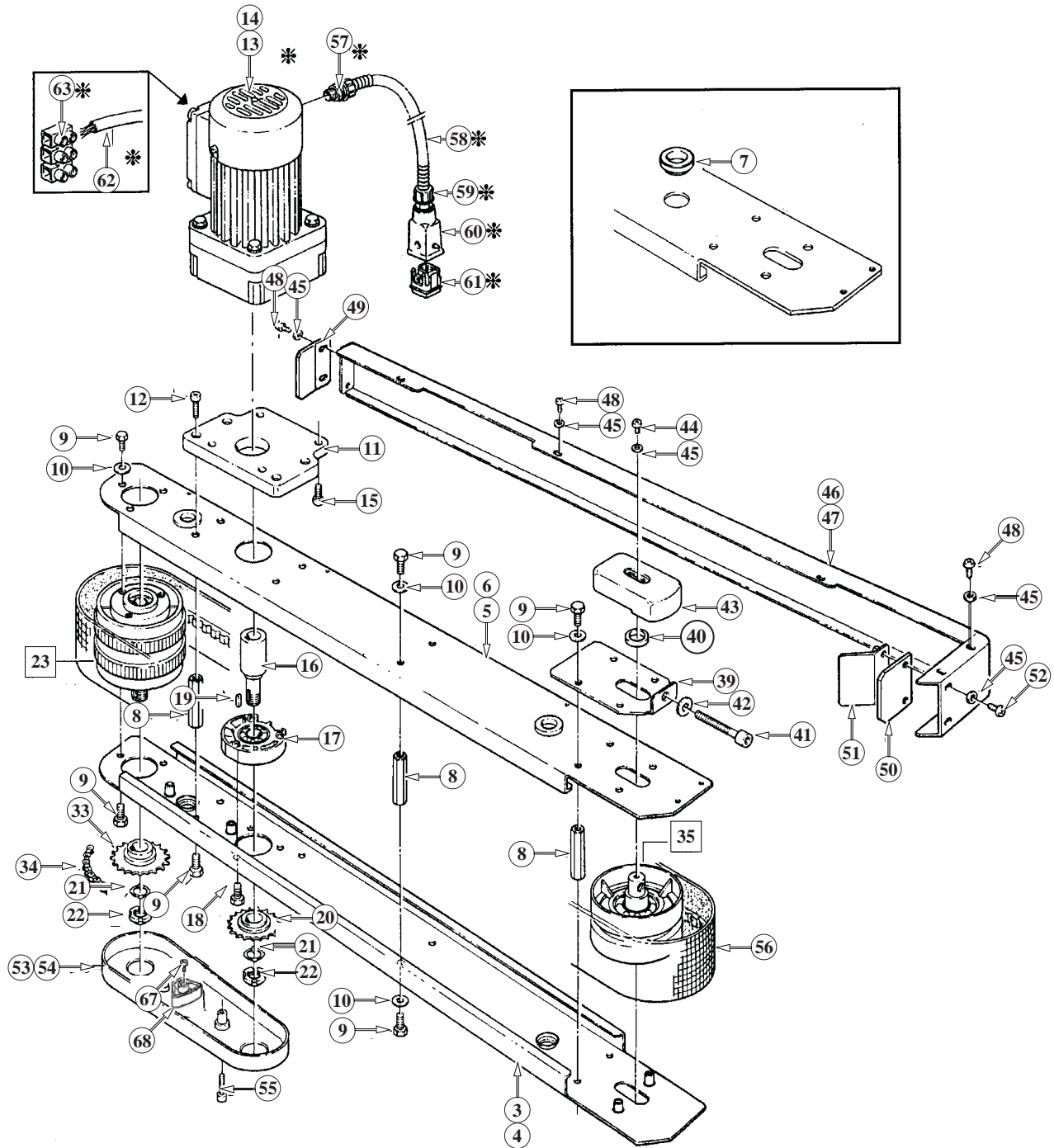


Figure 15231 / 1

Figure 15231 / 1

Ref. No.	3M Part No.	Description
15231-1	78-8100-1205-0	Drive Assembly – R/H W/O Motor
15231-2	78-8100-1206-8	Drive Assembly – L/H W/O Motor
15231-3	78-8100-1207-6	Guide – Lower, R/H
15231-4	78-8100-1208-4	Guide – Lower, L/H
15231-5	78-8113-6818-8	Guide – Upper, R/H, W/English Language Label
15231-6	78-8113-6819-6	Guide – Upper, L/H, W/English Language Label
15231-7	78-8091-0500-6	Bushing – Side Drive
15231-8	78-8055-0661-1	Spacer
15231-9	26-1003-5829-5	Screw – Hex Hd, M6 x 12
15231-10	26-1000-0010-3	Washer – Flat M6
15231-11	78-8094-6109-4	Support – Gearmotor
15231-12	78-8023-2334-1	Screw – Soc Hd, Hex Soc, M6 x 25
15231-13	78-8070-1522-3	Gearmotor – Bodine, 42X5BFCl-E2, 15:1, 115V, 60 Hz
15231-14	26-1011-8828-7	Capacitor – 15 $\mu$ F, 300VAC, Motor Run
15231-15	78-8070-1523-1	Screw – 1/4 - 28 x 1/2 SHCS
15231-16	78-8094-6174-8	Extension – Gearmotor
15231-17	78-8076-5439-3	Flange Assembly
15231-18	78-8060-7886-7	Screw – Hex Hd, M6 x 16, Special
15231-19	78-8046-8135-7	Key – 5 x 5, 12 mm
15231-20	78-8137-0934-8	Sprocket 3/8" Z17
15231-21	78-8057-5834-5	Tab Washer
15231-22	78-8057-5835-2	Centering Washer
15231-23	78-8076-5440-1	Pulley Assembly – Drive
15231-24	78-8076-5441-9	Roller – Drive
15231-25	78-8052-6713-1	Ring – Polyurethane
15231-26	78-8055-0669-4	Shaft – Pulley Keyed
15231-27	78-8057-5739-6	Key – M5 x 5 x 30 mm
15231-28	78-8055-0668-6	Washer – 15/26 x 1
15231-29	78-8091-0382-9	Belleville Washer – /16
15231-30	78-8076-5442-7	Flange Assembly
15231-31	26-0001-5862-1	Screw – Flat Hd Soc, M5 x 12
15231-32	78-8054-8877-8	Washer – 5,5/20 x 4
15231-33	78-8137-0935-5	Sprocket 3/8" Z20
15231-34	78-8076-4933-6	Chain – 3/8 Inch Pitch, 52 Pitch

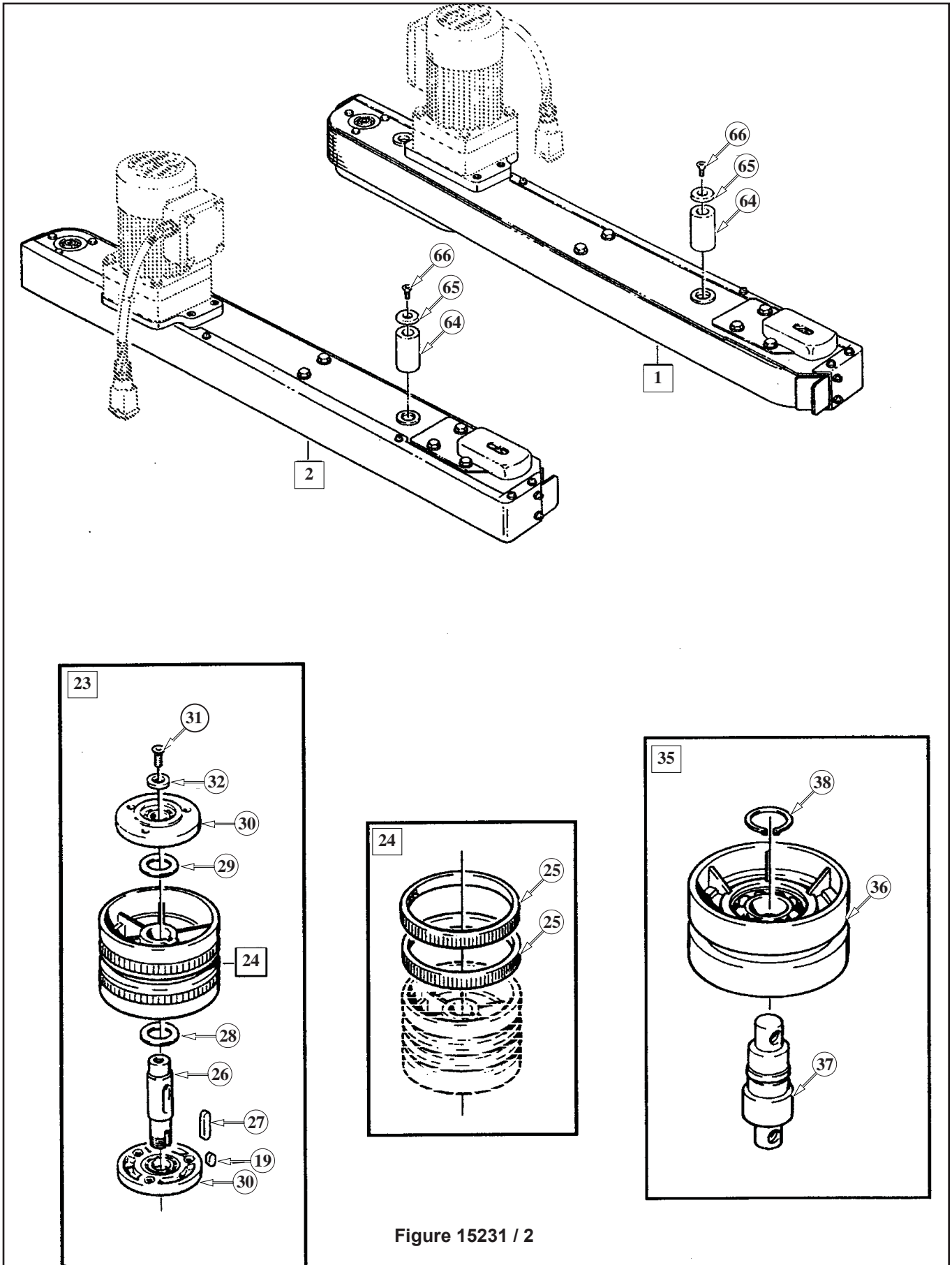


Figure 15231 / 2

800a3

Figure 15231 / 2

Ref. No.	3M Part No.	Description
15231-35	78-8076-5443-5	Pulley Assembly – Idler
15231-36	78-8055-0660-3	Roller – Idler
15231-37	78-8076-5444-3	Shaft – Idler Pulley
15231-38	12-7997-0272-0	E-Ring – M-25
15231-39	78-8076-5445-0	Tensioning – Belt
15231-40	78-8076-5446-8	Washer – Shaft
15231-41	78-8070-1519-9	Screw – Soc Hd, Hex Hd, M8 x 70
15231-42	78-8017-9318-9	Washer – Plain 8 mm
15231-43	78-8076-5448-4	Cover – Belt Tensioner
15231-44	78-8055-0850-0	Screw – Cap, M4 x 6
15231-45	78-8005-5740-3	Washer – Plain 4 mm
15231-46	78-8100-1211-8	Cover – Drive, R/H
15231-47	78-8100-1212-6	Cover – Drive, L/H
15231-48	26-1002-5753-9	Screw – Self-Tapping
15231-49	78-8100-1213-4	Guard – Belt
15231-50	78-8100-1214-2	Guard – Rubber
15231-51	78-8100-1215-9	Guard – Metal
15231-52	78-8076-5255-3	Screw – Phillips Hd, M4 x 12
15231-53	78-8091-0764-8	Cover – Chain, Right
15231-54	78-8091-0765-5	Cover – Chain, Left
15231-55	78-8010-7165-1	Screw – Flat Hd Soc, M5 x 25
15231-56	78-8076-5452-6	Belt – Box Drive
15231-57	78-8060-7631-7	Connector – 3/8 Inch
15231-58	78-8076-5197-7	Sleeving – /12, 800 mm
15231-59	78-8060-7626-7	Connector – PG 11/12
15231-60	78-8060-7877-6	Plug Housing – Vertical
15231-61	78-8060-7875-0	Plug Male
15231-62	78-8060-8053-3	Wire – 3-Pole, 5 Meters Length
15231-63	78-8076-4968-2	Terminal
15231-64	78-8076-5453-4	Roller
15231-65	78-8054-8577-4	Washer – Special
15231-66	26-1001-9843-6	Screw – Flat Soc Hd, M6 x 16
15231-67	78-8010-7210-5	Screw - Tensioner
15231-68	78-8137-0932-2	Tensioner - Pulley R/H
	78-8137-0933-2 	Tensioner - Pulley L/H

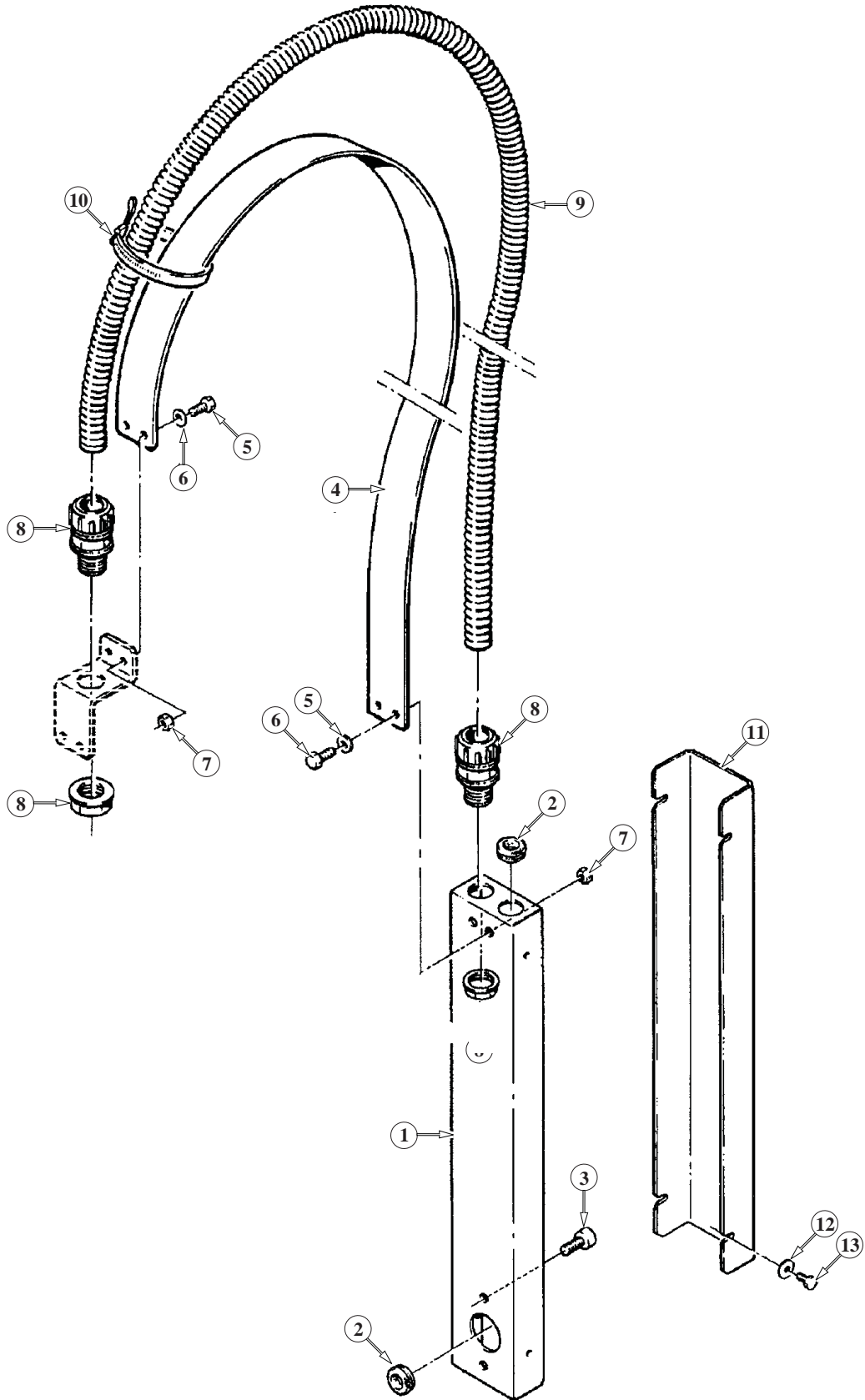


Figure 6166

**800a3****Figure 6166**

<b>Ref. No.</b>	<b>3M Part No.</b>	<b>Description</b>
6166-1	78-8100-1218-3	Housing – Wire
6166-2	78-8060-7758-8	Fairlead – /20
6166-3	26-1003-7963-0	Screw – Soc Hd, M8 x 16
6166-4	78-8076-4636-5	Strap – Wire
6166-5	78-8010-7163-6	Screw – Hex Hd, M5 x 10
6166-6	78-8005-5741-1	Washer – Flat, M5
6166-7	78-8010-7417-6	Nut – Hex, M5
6166-8	78-8060-7631-7	Connector – 3/8 Inch
6166-9	78-8060-8154-9	Sleeving – 0,90 MT
6166-10	78-8060-8029-3	Clamp – 140 x 3,5
6166-11	78-8100-1219-1	Cover – Housing
6166-12	78-8017-9018-5	Washer – Plain, M4
6166-13	78-8010-7157-8	Screw – Hex Hd, M4 x 10

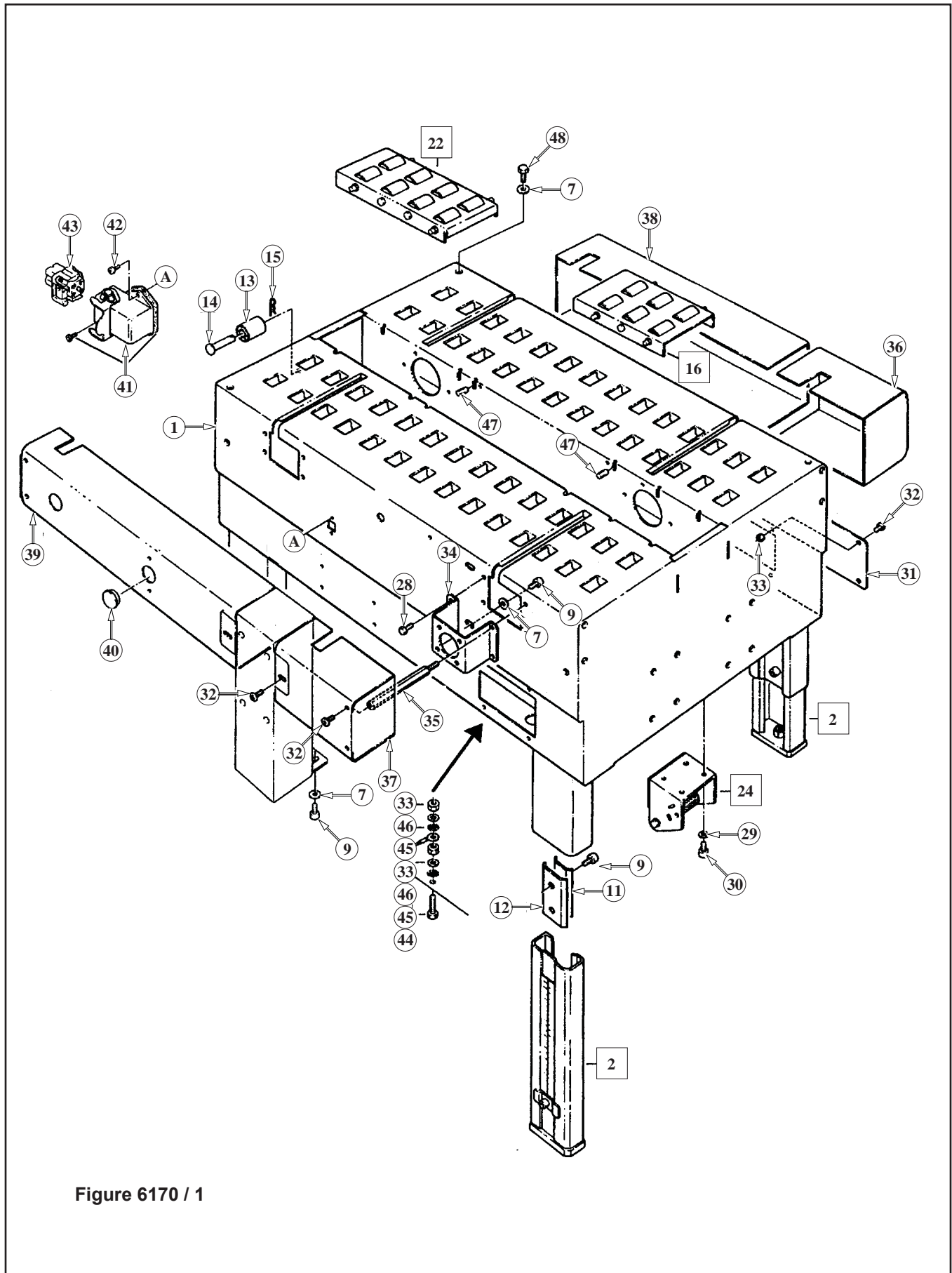


Figure 6170 / 1



Figure 6170 / 1

Ref. No.	3M Part No.	Description
6170-1	78-8076-5380-9	Bed – Conveyor
6170-2	78-8076-5381-7	Leg Assembly – Inner, W/Stop
6170-3	78-8076-5382-5	Leg – Inner
6170-4	78-8060-8480-8	Pad – Foot
6170-5	78-8055-0867-4	Screw – Hex Hd, M8 x 30
6170-6	78-8017-9313-0	Nut – Self-Locking, M8
6170-7	78-8017-9318-9	Washer – Plain 8 mm
6170-8	78-8076-5383-3	Stop – Leg
6170-9	26-1003-7963-0	Screw – Soc Hd, M8 x 16
6170-10	78-8060-8481-6	Label – Height
6170-11	78-8052-6676-0	Clamp – Outer
6170-12	78-8052-6677-8	Clamp – Inner
6170-13	78-8060-7693-7	Roller – 32 x 38
6170-14	78-8076-5384-1	Shaft – Roller
6170-15	78-8076-5385-8	Spring
6170-16	78-8094-6100-3	Conveyor Assembly – Front
6170-17	78-8076-5387-4	Conveyor – Front
6170-18	78-8091-0780-4	Shaft – Central Roller
6170-19	78-8091-0781-2	Shaft – Side Roller
6170-20	26-1003-5828-7	Screw – Hex Hd, M6 x 10
6170-21	78-8076-5389-0	Mounting – Conveyor
6170-22	78-8094-6101-1	Conveyor Assembly – Rear
6170-23	78-8076-5391-6	Conveyor – Rear
6170-24	78-8076-5462-5	Support – Tape Drum
6170-25	78-8076-4758-7	Support – Tape Bracket
6170-26	78-8076-4759-5	Shaft – Roller
6170-27	78-8076-5030-0	Roller – Knurled, L=114

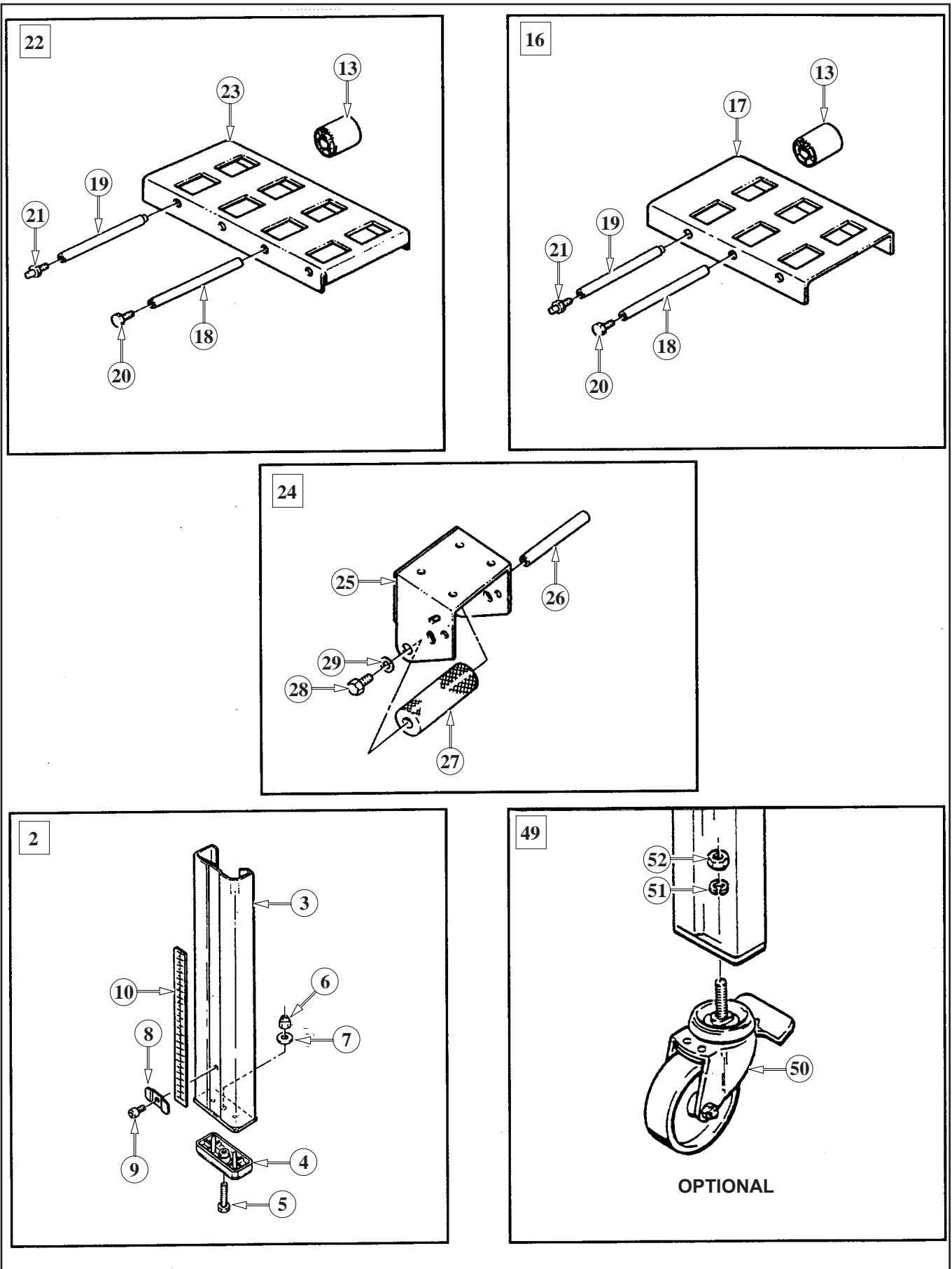
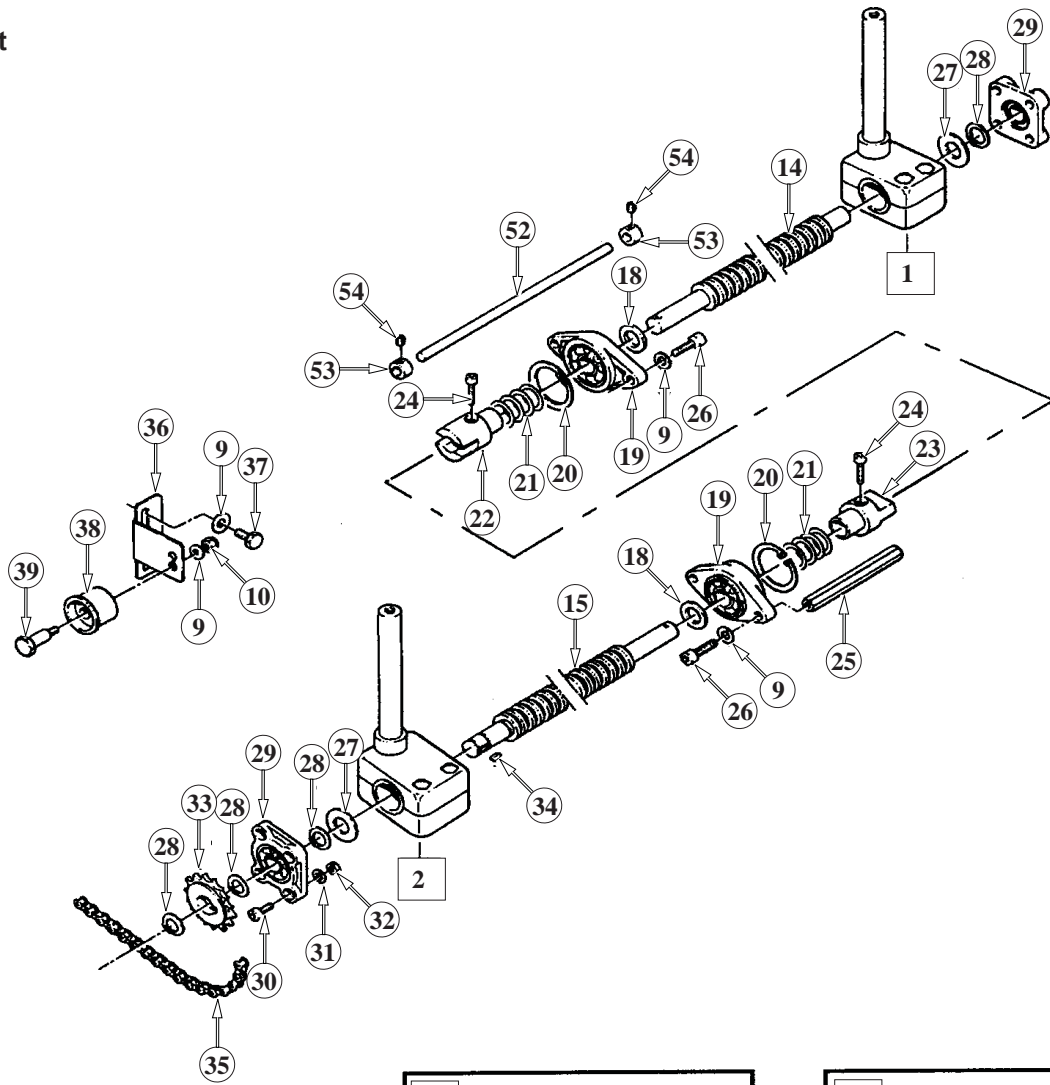


Figure 6170 / 2

Figure 6170 / 2

Ref. No.	3M Part No.	Description
6170-28	78-8032-0375-7	Screw – Hex Hd, M6 x 16
6170-29	26-1000-0010-3	Washer – Flat M6
6170-30	26-1003-7957-2	Screw – Soc Hd Hex Hd, M6 x 16
6170-31	78-8060-8487-3	Cover – Switch
6170-32	78-8060-8087-1	Screw – M5 x 10
6170-33	78-8010-7417-6	Nut – Hex M5
6170-34	78-8076-5393-2	Plate – Tape Bracket Support
6170-35	78-8076-5394-0	Spacer
6170-36	78-8076-5395-7	Cover – Side, Front, R/H
6170-37	78-8076-5396-5	Cover – Side, Front, L/H
6170-38	78-8100-1203-5	Cover – Side, Rear, R/H
6170-39	78-8113-6813-9	Cover – Side, Rear, L/H, W/English Language Label
6170-40	78-8076-4517-7	End Cap – /22 x 1
6170-41	78-8060-7876-8	Cover – Plug Lateral
6170-42	78-8028-8208-0	Screw – 6P x 9,5
6170-43	78-8060-7873-5	Plug – Female
6170-44	78-8060-8488-1	Screw – Hex Hd, M5 x 20
6170-45	78-8046-8217-3	Washer – Special
6170-46	78-8005-5741-1	Washer – Plain M5
6170-47	78-8076-4500-3	Stud – Mounting
6170-48	26-1003-5841-0	Screw – M8 x 16
6170-49	78-8098-9076-3	Caster Assembly
6170-50	26-1009-9096-4	Caster – Dual Locking
6170-51	26-1009-9094-9	Washer – Spring, Helical, M12
6170-52	26-1009-9095-6	Nut – M12

Front



• = Pos.3 and 4  
to be ordered  
always together

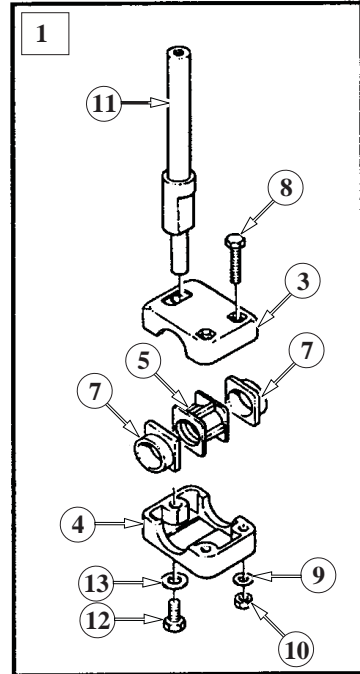
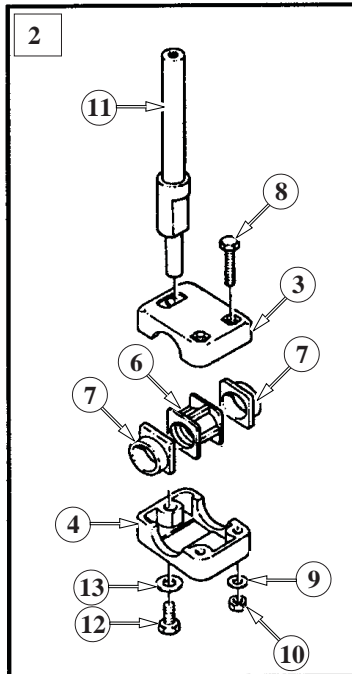


Figure 6171 / 1

800a3

Figure 6171 / 1

Ref. No.	3M Part No.	Description
6171-1	78-8100-1229-0	Shaft Assembly – Drive R/H
6171-2	78-8100-1230-8	Shaft Assembly – Drive L/H
6171-3	78-8076-5401-3	Block – Upper
6171-4	78-8076-5402-1	Block – Lower
6171-5	78-8076-5403-9	Nut – Block, R/H
6171-6	78-8076-5404-7	Nut – Block, L/H
6171-7	78-8076-5405-4	Bushing – Block
6171-8	78-8076-5239-7	Screw – Hex Hd, M6 x 50
6171-9	26-1000-0010-3	Washer – Flat M6
6171-10	26-1003-6916-9	Nut – Locking, Plastic Insert M6
6171-11	78-8100-1220-9	Shaft – Drive Mount
6171-12	26-1003-5842-8	Screw – Hex Hd, M8 x 20
6171-13	78-8017-9318-9	Washer – Plain 8 mm
6171-14	78-8076-5407-0	Screw – R/H
6171-15	78-8076-5408-8	Screw – L/H
6171-16	78-8076-5409-6	Screw – Handle, R/H
6171-17	78-8076-5410-4	Screw – Handle, L/H
6171-18	78-8076-5411-2	Spacer – Screw
6171-19	78-8076-5412-0	Flange – W/Bearing
6171-20	78-8060-8010-3	Snap Ring – 42 mm Shaft
6171-21	78-8076-5413-8	Spring
6171-22	78-8076-5414-6	Coupling – Screw, Female
6171-23	78-8076-5415-3	Coupling – Screw, Male
6171-24	26-1003-7946-5	Screw – Soc Hd, M4 x 25
6171-25	78-8076-5416-1	Spacer – Hex, 10 x 107
6171-26	78-8023-2334-1	Screw – Soc Hd, Hex Soc, M6 x 25
6171-27	78-8076-5417-9	Spacer

Rear

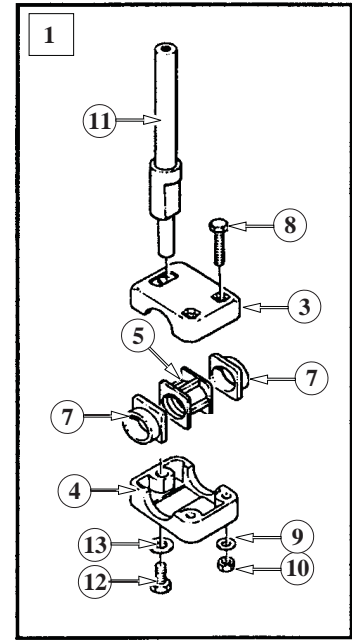
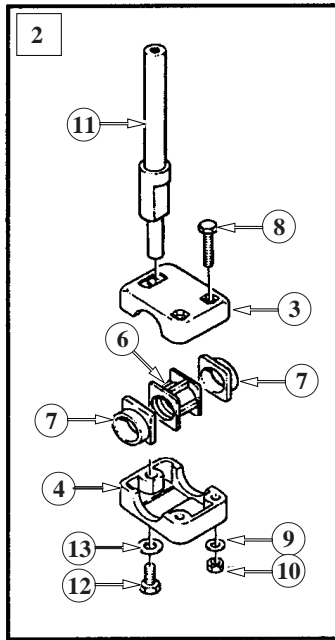
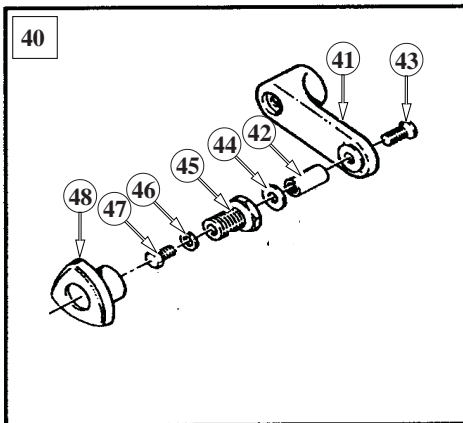
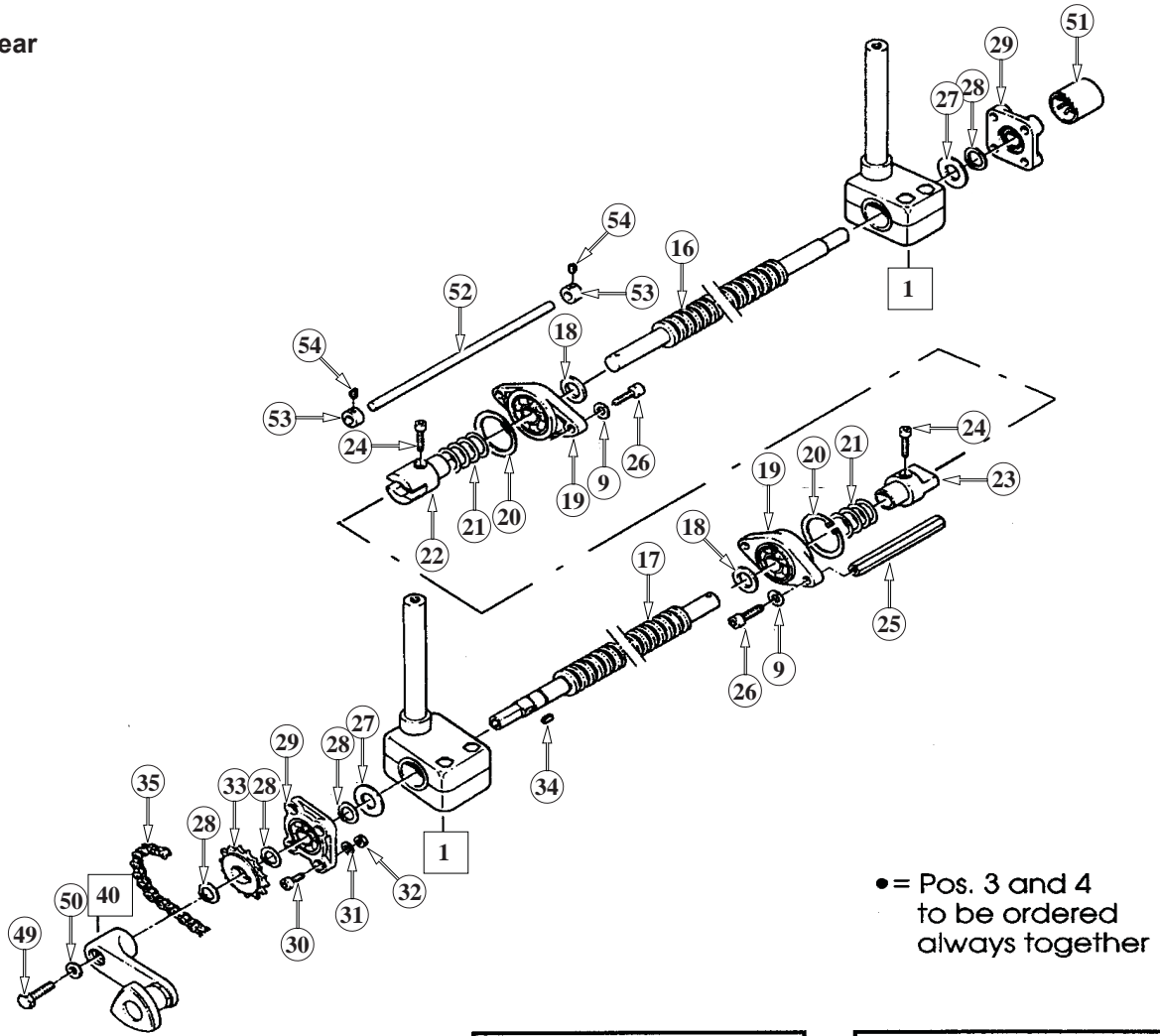


Figure 6171 / 2

Figure 6171 / 2

Ref. No.	3M Part No.	Description
6171-28	78-8017-9079-7	Ring – Snap For 15 mm Shaft
6171-29	78-8076-5418-7	Support – Screw
6171-30	26-1003-7949-9	Screw – Soc Hd Hex Soc, M5 x 1
6171-31	78-8005-5741-1	Washer – Plain M5
6171-32	78-8010-7417-6	Nut – Hex M5
6171-33	78-8076-5419-5	Sprocket – 3/8 Inch Z=16
6171-34	78-8046-8135-7	Key – 5 x 5, 12mm
6171-35	78-8076-5420-3	Chain – 3/8 Inch, 133 Links
6171-36	78-8076-5421-1	Support – Tension Roller
6171-37	78-8010-7169-3	Screw – Hex Hd, M6 x 12
6171-38	78-8070-1503-3	Roller – Chain Tensioning
6171-39	78-8060-7878-4	Idler Screw
6171-40	78-8076-4807-2	Crank Assembly
6171-41	78-8076-5422-9	Crank
6171-42	78-8070-1509-0	Shaft – Crank
6171-43	26-1005-5316-8	Screw – Flat Hd Hex Dr, M5 x 16
6171-44	78-8070-1510-8	Washer – Nylon, 7 x 15 x 1
6171-45	78-8070-1511-6	Bushing
6171-46	78-8005-5740-3	Washer – Plain 4 mm
6171-47	78-8010-7157-8	Screw – Hex Hd, M4 x 10
6171-48	78-8070-1512-4	Knob – VTR-B-M12
6171-49	78-8032-0375-7	Screw – Hex Hd, M6 x 16
6171-50	78-8076-4809-8	Washer – Crank
6171-51	78-8070-1506-6	Cover – Screw
6171-52	78-8076-5463-3	Shaft
6171-53	78-8076-5424-5	Block
6171-54	78-8076-5425-2	Set Screw – M4 x 3

800a3 Adjustable Case Sealer

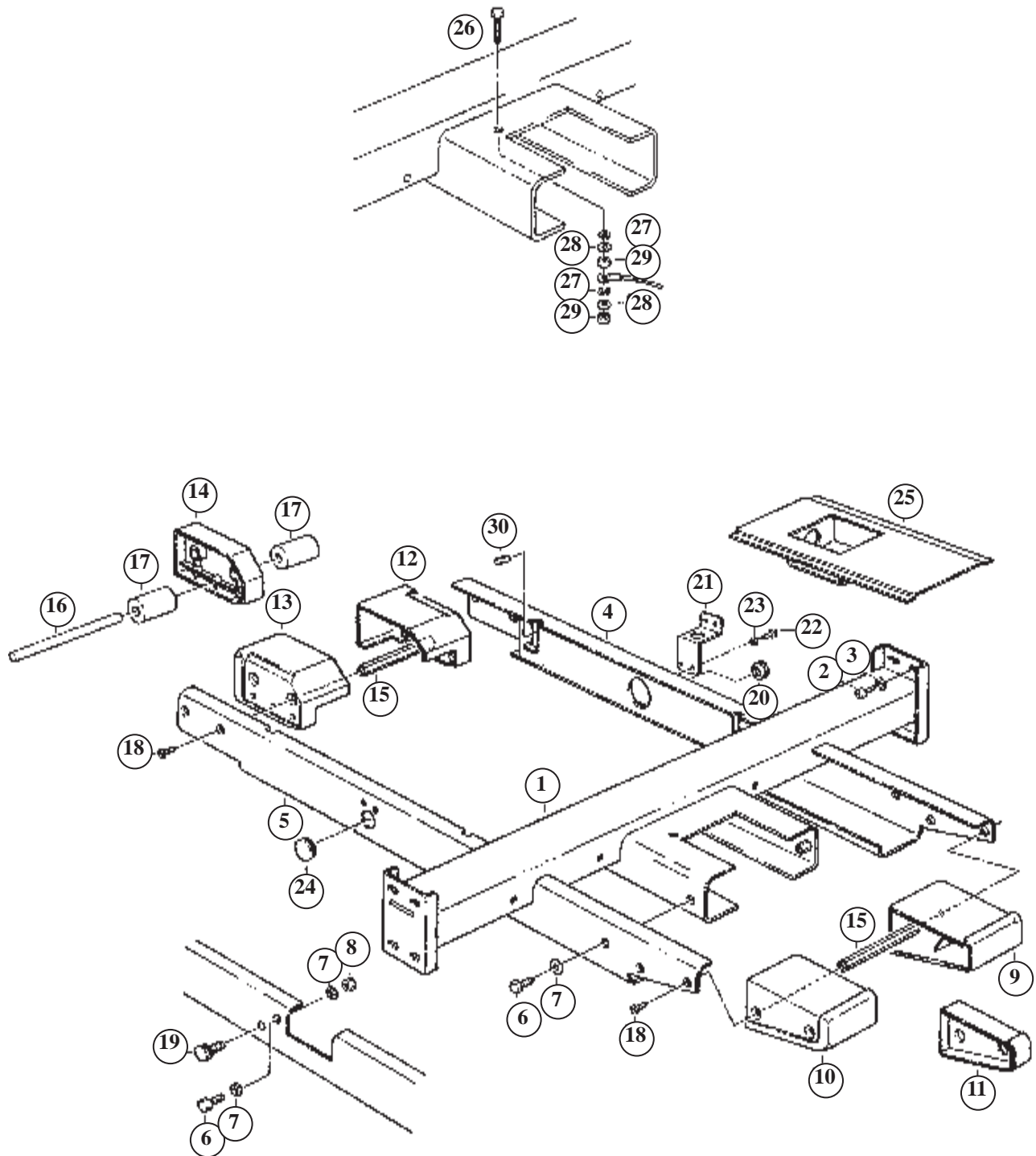


Figure 6172



800a3

Figure 6172

Ref. No.	3M Part No.	Description
6172-1	78-8113-6871-7	Cross Bar – Lower, W/English Language Label
6172-2	26-1003-7957-2	Screw – Soc Hd Hex Hd, M6 x 16
6172-3	78-8100-1042-7	Washer – /15 x 6.35 x 2
6172-4	78-8100-1221-7	Frame – R/H, Without Labels
6172-5	78-8100-1222-5	Frame – L/H, Without Labels
6172-6	26-1003-5842-8	Screw – Hex Hd, M8 x 20
6172-7	78-8017-9318-9	Washer – Plain, 8 mm
6172-8	26-1000-1347-8	Nut – Hex, M8
6172-9	78-8070-1574-4	Slide – Front, Right
6172-10	78-8070-1575-1	Slide – Front, Left
6172-11	78-8076-5465-8	Spacer – Front Slide
6172-12	78-8070-1576-9	Slide – Rear, Right
6172-13	78-8070-1577-7	Slide – Rear, Left
6172-14	78-8076-5466-6	Spacer
6172-15	78-8076-5467-4	Spacer – Head Support
6172-16	78-8076-5468-2	Stud – Head Support
6172-17	78-8076-5469-0	Roller – /32X55
6172-18	26-1005-5316-8	Screw – Flat Hd Hex Dr, M5 x 16
6172-19	78-8070-1555-3	Block – Upper Head
6172-20	78-8060-7758-8	Fairlead – /20
6172-21	78-8054-8955-2	Clamp – Bracket
6172-22	26-1003-5820-4	Screw – Hex Hd, M5 x 12
6172-23	78-8005-5741-1	Washer – Flat, M5
6172-24	78-8076-4517-7	End Cap – /22 x 1
6172-25	78-8113-6758-6	Cover – Upper, W/English Language Label
6172-26	78-8091-0538-6	Screw – Hex Hd, M4 x 20
6172-27	78-8076-4716-5	Star Washer – M4
6172-28	78-8005-5740-3	Washer – Plain, 4 mm
6172-29	78-8010-7416-8	Nut – Hex, M4
6172-30	78-8076-4500-3	Stud – Mounting
6172-31	78-8100-1234-0	Bezel

THIS PAGE IS BLANK



# Instructions and Parts List

**3M-Matic**<sup>TM</sup>

**AccuGlide**<sup>TM</sup> **3**

**Upper and  
Lower  
Taping Heads  
3 Inch**

**Type 10800**

Serial No. \_\_\_\_\_

For reference, record taping head(s) serial number(s) here.



**3M Industrial Adhesives and Tapes**  
3M Center, Building 220-5E-06  
St. Paul, MN 55144-1000



## Important Safety Information

BEFORE INSTALLING  
OR OPERATING THIS  
EQUIPMENT

Read, understand, and  
follow all safety and  
operating instructions.

## Spare Parts

It is recommended you  
immediately order the  
spare parts listed in the  
"Spare Parts/Service  
Information" section.

These parts are expected  
to wear through normal  
use, and should be kept  
on hand to minimize  
production delays.

AccuGlide<sup>TM</sup> is a Trademark of  
3M, St. Paul, MN 55144-1000  
Litho in U.S.A

© 3M 2012 44-0009-2071-8 (E010712-NA)



---

## Replacement Parts and Service Information

---

### To Our Customers:

This is the 3M-Matic™/AccuGlide™/Scotch® equipment you ordered. It has been set up and tested in the factory with Scotch® tapes. If technical assistance or replacement parts are needed, call or fax the appropriate number listed below.

Included with each machine is an Instructions and Parts List manual.

### Technical Assistance / Replacement Parts and Additional Manuals:

Call the 3M-Matic™ Help line at 1-800 328-1390. Provide the customer support coordinator with the model/machine name, machine type, and serial number that are located on the identification plate (For example: Model 200a - Accuglide 3 - 3 inch - Type 10800 - Serial Number 13282).

#### United States -

3M Tape Dispenser Parts


241 Venture Drive

1-800-344-9883

Amery, WI 54001-1325

Fax: 1-715-268-8153

#### Identification Plate

<b>3M</b> 3M Company St. Paul, MN 55144 USA	Part Number <input type="text"/>	<b>3M-Matic™</b> For Industrial use only	 4000563	
Model <input type="text"/>	Serial Number <input type="text"/>	Year <input type="text"/>	Ampere <input type="text"/>	Watt <input type="text"/>
Type <input type="text"/>		Volt <input type="text"/>	Hertz <input type="text"/>	Phase <input type="text"/>

Minimum billing on parts orders will be \$25.00. Replacement part prices available on request.  
\$10.00 restocking charge per invoice on returned parts

Note : Outside the U.S., contact the local 3M subsidiary for parts ordering information.



#### 3M Industrial Adhesives and Tapes

3M Center, Building 220-5E-06  
St. Paul, MN 55144-1000

3M-Matic™, AccuGlide™ and Scotch™  
are Trademarks of  
3M St. Paul, MN 55144-1000  
Printed in U.S.A.

THIS PAGE IS BLANK

## Replacement Parts And Service Information

---

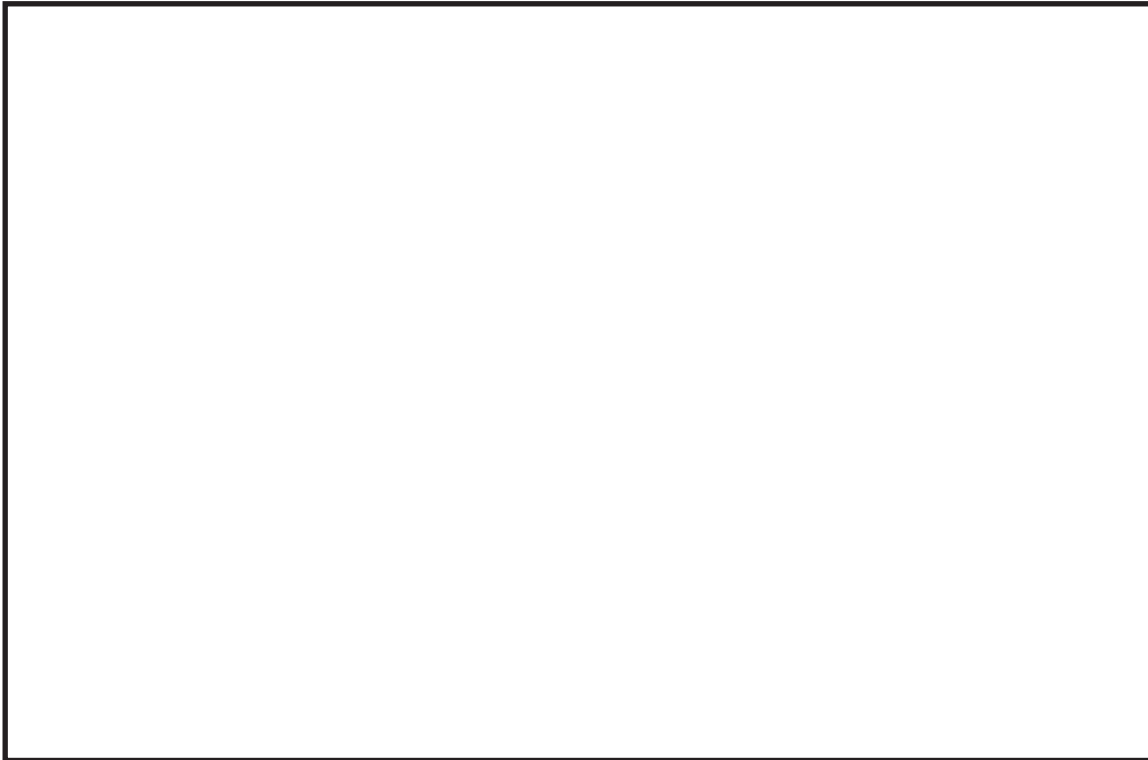
To Our Customers:

This is the 3M-Matic™/AccuGlide™/Scotch® equipment you ordered. It has been set up and tested in the factory with Scotch® tapes. If any problems occur when operating this equipment and you desire a service call or phone consultation, call, write, or fax the appropriate number listed below.

Included with each machine is an Instructions and Parts List manual.

### SERVICE, REPLACEMENT PARTS, AND ADDITIONAL MANUALS

AVAILABLE DIRECT FROM:



Order parts by part number, part description, and quantity required. Also, when ordering parts or additional manuals, include model/machine name, machine type, and serial number that are located on the identification plate.



**3M Industrial Adhesives and Tapes**  
3M Center, Building 220-5E-06  
St. Paul, MN 55144-1000

3M-Matic™, AccuGlide™ and Scotch™  
are Trademarks of  
3M, St. Paul, MN 55144-1000  
Printed in U.S.A.

THIS PAGE IS BLANK



# Instruction Manual

## AccuGlide™ 3 Upper and Lower Taping Heads - 3 Inch Type 10800

<b>Table of Contents</b>	<b>Page</b>
Equipment Warranty and Limited Remedy .....	i - ii
Table of Contents.....	iii
Equipment Warranty and Limited Remedy .....	iv
Intended Use .....	1
Taping Head Contents / How to Use Manual.....	3
Important Safeguards.....	4 - 5
Specifications .....	6 - 7
Dimensional Drawing .....	7
Installation .....	8
Receiving and Handling .....	8
Installation Guidelines .....	8
Tape Leg Length .....	8
Tape Width Adjustment .....	8
Operation.....	9 - 11
Tape Loading – Upper Taping Head.....	10
Tape Loading – Lower Taping Head.....	10 - 11
Maintenance .....	12 - 13
Blade Replacement.....	12
Blade Guard .....	12
Blade Oiler Pad .....	12
Cleaning .....	13
Applying/Buffering Roller Replacement.....	13
Adjustments.....	14 - 16
Tape Latch Alignment.....	14
Tape Drum Friction Brake .....	14
Applying Mechanism Spring.....	15
One-Way Tension Roller .....	15
Tape Leg Length .....	16
Leading Tape Leg Length Adjustment .....	16
Changing Tape Leg Length From 70 to 50 mm [2-3/4 to 2 Inch] .....	16
Troubleshooting.....	17 - 18
Spare Parts/Service Information.....	19
Recommended Spare Parts.....	19
Replacement Parts and Service.....	19
Replacement Parts Illustrations and Parts List.....	Yellow Section 19 - 37

## Warranty

---

### Equipment Warranty and Limited Remedy:

**Equipment Warranty and Limited Remedy: THE FOLLOWING WARRANTY IS MADE IN LIEU OF ALL OTHER WARRANTIES, EXPRESS OR IMPLIED, INCLUDING, BUT NOT LIMITED TO, ANY IMPLIED WARRANTY OF MERCHANTABILITY OR FITNESS FOR A PARTICULAR PURPOSE AND ANY IMPLIED WARRANTY ARISING OUT OF A COURSE OF DEALING, CUSTOM OR USAGE OF TRADE:**

3M sells its **AccuGlide™ 3 Upper and Lower Taping Heads - 3 Inch, Type 10800** with the following warranty:

1. The Taping Head blade, springs and rollers will be free from defects in material and manufacture for ninety (90) days after delivery.
2. All other Taping Head parts will be free from defects in material and manufacture for three (3) years after delivery.

If any part is defective within this warranty period, your exclusive remedy and 3M's and seller's sole obligation shall be, at 3M's option, to repair or replace the part. 3M must receive actual notice of any alleged defect within a reasonable time after it is discovered, but in no event shall 3M have any obligation under this warranty unless it receives such notice within five (5) business days after the expiration of the warranty period. All notices required hereunder shall be given to 3M solely through the 3M-Matic™ Help line (800-328-1390). To be entitled to repair or replacement as provided under this warranty, the part must be returned as directed by 3M to its factory or other authorized service station designated by 3M. If 3M is unable to repair or replace the part within a reasonable time after receipt thereof, 3M, at its option, will replace the equipment or refund the purchase price. 3M shall have no obligation to provide or pay for the labor required to remove any part or equipment or to install the repaired or replacement part or equipment. 3M shall have no obligation to repair or replace those parts failing due to normal wear, inadequate or improper maintenance, inadequate cleaning, non-lubrication, improper operating environment, improper utilities, operator error or misuse, alteration or modification, mishandling, lack of reasonable care, or due to any accidental cause.

**Limitation of Liability:** Except where prohibited by law, 3M and seller will not be liable for any loss or damage arising from this 3M equipment, whether direct, indirect, special, incidental, or consequential, regardless of the legal theory asserted, including breach of warranty, breach of contract, negligence, or strict liability.

**Note:** The foregoing Equipment Warranty and Limited Remedy and Limitation of Liability may be changed only by a written agreement signed by authorized representatives of 3M and seller.

---

### Taping Head Contents

---

**AccuGlide™ 3 Upper and Lower Taping Heads - 3 Inch - consists of:**

Qty.	Part Name
1	Taping Head Assembly
1	Tape Drum and Bracket Assembly
1	Hardware and Spare Parts Kit
1	Threading Tool

---

**AccuGlide™, Scotch™, and 3M-Matic™** are Trademarks of 3M, St. Paul, Minnesota 55144-1000

---

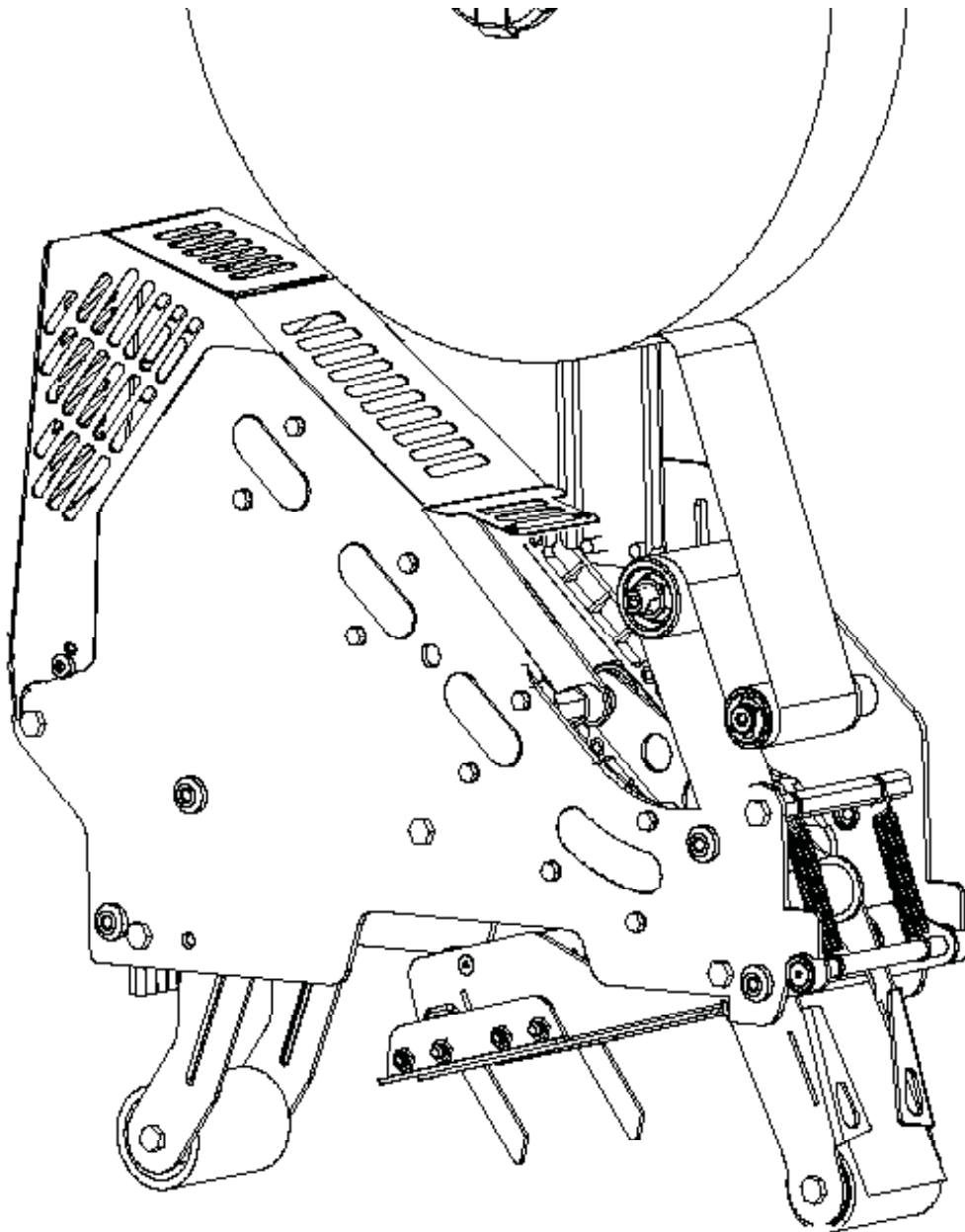
## Intended Use

---

The intended use of the AccuGlide™ 3 Upper and Lower Taping Heads - **3 Inch**- is to apply a "C" clip of Scotch® pressure-sensitive film box sealing tape to the top and/or bottom center seam of regular slotted containers.

These taping heads are incorporated into most standard **3M-Matic™** case sealers. The compact

size and simplicity of the taping head also makes it suitable for mounting in box conveying systems other than **3M-Matic™** case sealers. This includes replacement of other types of taping, gluing or stapling heads in existing case sealing machines. The AccuGlide™ 3 Taping Heads have been designed and tested for use with Scotch® pressure-sensitive film box sealing tape.



**AccuGlide™ 3 Upper Taping Head - 3 Inch, Type 10800**

THIS PAGE IS BLANK

---

## Taping Head Contents

---

### AccuGlide™ 3 Upper and Lower Taping Heads - 3 Inch - consists of:

---

Qty.	Part Name
1	Taping Head Assembly
1	Tape Drum and Bracket Assembly
1	Hardware and Spare Parts Kit
1	Threading Tool

---

### General Information

---

This instruction manual covers safety aspects, handling and transport, storage, unpacking, preparation, installation, operation, set-up and adjustments, technical and manufacturing specifications, maintenance, troubleshooting, repair work and servicing, electric diagrams, warranty information, disposal (ELV), a glossary with a definition of symbols, plus a parts list 3M Industrial Adhesives and Tapes Division 3M Center, Bldg. 220-5E-06 St. Paul, MN 55144-1000 (USA) Edition January 2012/Copyright 3M 2012. All rights reserved The manufacturer reserves the right to change the product at any time without notice Publication © 3M 2012.

---

### How to use this Manual

---

The manual is an important part of the machine; all information contained herein is intended to enable the equipment to be maintained in perfect condition and operated safely. Ensure that the manual is available to all operators of this equipment and the manual is kept up to date with all subsequent amendments. Should the equipment be sold or disposed of, please ensure that the manual is passed on with the machine.

Electrical and pneumatic diagrams are included in the manual. Equipment using PLC controls and/or electronic components will include relevant schematics or programs in the enclosure (or will be delivered separately as needed)

Keep the manual in a clean and dry place near the machine. Do not remove, tear or rewrite parts of the manual for any reason. Use the manual without damaging it. However, if the manual has been lost or damaged, ask your after sale service for a new copy (if it is possible, please have the manual name, part number, and revision information and/or model/machine name, machine type, and serial number) that are located on the identification plate (For example: **Model - &U#Accuglide 3 - 3" - Type 10800 - Serial Number 13282**).

**Note:**

All the important warning notes related to the operation of the machine are identified by the symbol:



### Updating the Manual

Modifications to the machine are subject to manufacturer's internal procedures. The user may receive pages or parts of the manual which contain amendment made after its first publication. The user must use them to update this manual.

## Important Safeguards



This safety alert symbol identifies important safety messages in this manual. **READ AND UNDERSTAND THEM BEFORE INSTALLING OR OPERATING THIS EQUIPMENT.**

### Explanation of Signal Word Consequences



**WARNING:** Indicates a potentially hazardous situation, which, if not avoided, could result in death or serious injury and/or property damage.



**CAUTION:** Indicates a potentially hazardous situation, which, if not avoided, may result in minor or moderate injury and/or property damage.



### CAUTION

- **To reduce the risk associated with muscle strain:**
  - Use proper body mechanics when removing or installing taping heads that are moderately heavy or may be considered awkward to lift
- **To reduce the risk associated with impact hazards:**
  - Place the taping head on a smooth level surface when maintaining or servicing this equipment.

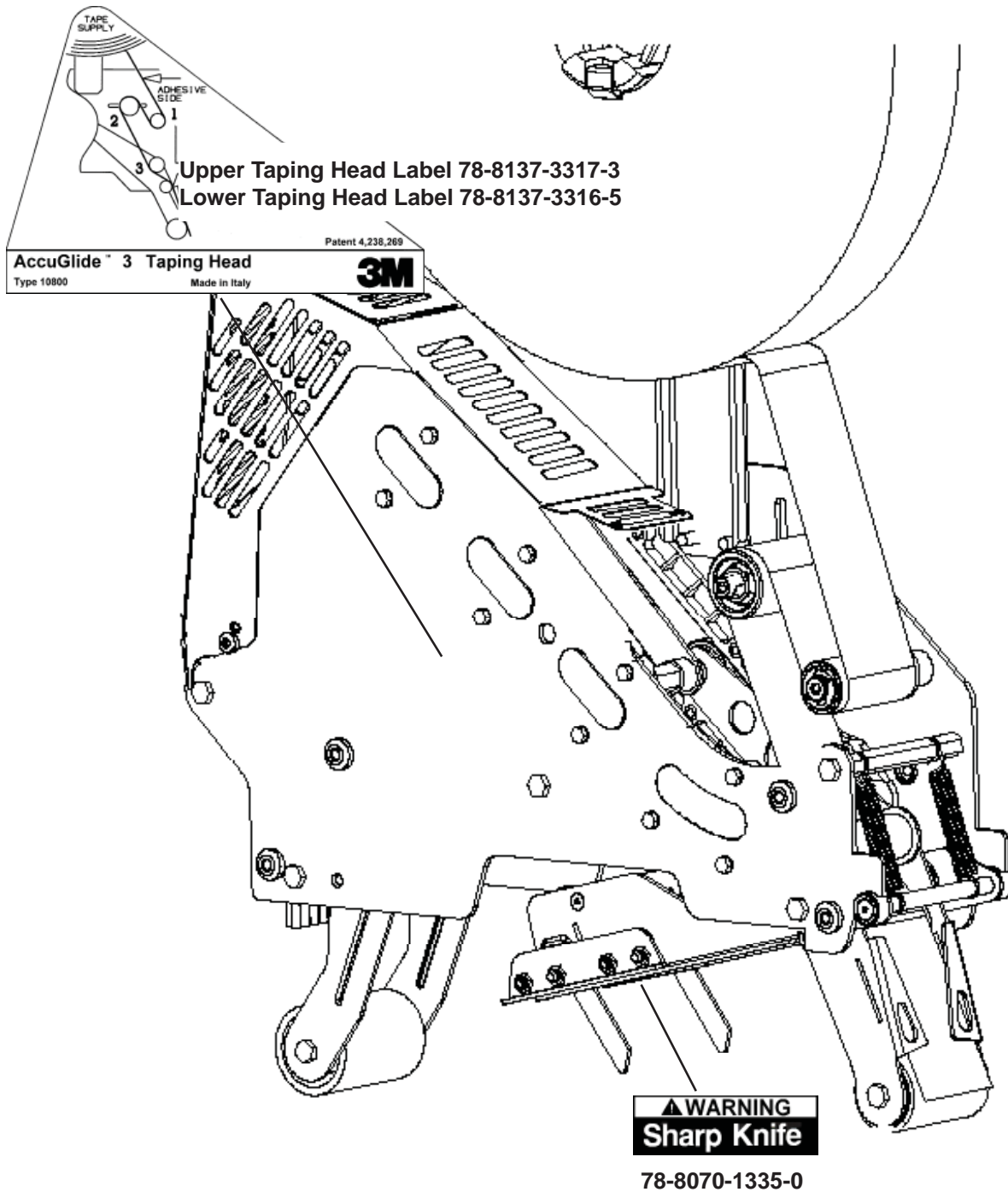


### WARNING

- **Pour réduire le risque associé aux dangers mécaniques et électriques:**
  - Lisez, comprenez, et suivez toutes les consignes de sécurité d'utilisation avant d'utiliser ou entretenir la colleuse de carton.
  - Permettre uniquement au personnel correctement formé et qualifié d'utiliser et entretenir cet équipement.
- **Pour réduire le risque associé aux pincements, à l'enchevêtrement et tension électrique dangereuse:**
  - Couper l'alimentation électrique et débrancher avant d'effectuer tout réglage, toute maintenance ou entretien courant sur la machine ou les applicateurs de ruban.
- **Pour réduire le risque associé aux dangers de pincements et enchevêtrement:**
  - Ne pas laisser la machine en fonctionnement sans surveillance.
  - Arrêtez la machine quand elle n'est pas utilisée.
  - N'essayez jamais de travailler sur quelque partie que ce soit de la machine, de charger le ruban, ou d'enlever des boîtes bloqués dans la machine pendant que la machine fonctionne.
- **Pour réduire le risque associé à la tension électrique dangereuse:**
  - Placez le cordage électrique loin de la circulation de pieds et de véhicules.

**Important Safeguards** (continued)

**Important** – In the event the following safety labels are damaged or destroyed, **they must be replaced to ensure operator safety**. See "Replacement Parts Illustrations and Parts Lists" for label part numbers.



**Figure 1-1 Replacement Labels/3M Part Numbers**

---

## Specifications

---

1. **Tape:**

For use with **Scotch**<sup>®</sup> pressure-sensitive film box sealing tapes.

2. **Tape Width:**

48mm [2 inches] minimum to 72mm [3 inches] maximum.

3. **Tape Roll Diameter:**

Up to 405mm [16 inches] maximum on a 76.2mm [3 inch] diameter core.  
(Accommodates all system roll lengths of **Scotch**<sup>®</sup> film tapes.)

4. **Tape Application Leg Length - Standard:**

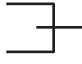
70mm ± 6mm [2-3/4 inches ± 1/4 inch]

**Tape Application Leg Length - Optional:**

50mm ± 6mm [2 inches ± 1/4 inch] (See "Adjustments – Tape Leg Length.")

5. **Box Size Capacities:**

For use with center seam regular slotted containers.

Minimum			Maximum
Length –	150mm [6 inches]		Unlimited
Height –	120mm [4-3/4 inches] (most "3M-Matic" Case Sealers) 90mm [3-1/2 inches] (with optional 2 inch leg length)		Limited by Case Sealer
Width –	150mm [6 inches]		

When upper and lower taping heads are used on "**3M-Matic**" case sealers, refer to the respective instruction manual specifications for box weight and size capacities.

6. **Operating Rate:**

Conveyor speeds up to 0.5 m/s [100 feet per minute].

7. **Operating Conditions:**

Use in dry, relatively clean environments at 5° to 40° C [40° to 105° F] with clean dry boxes.

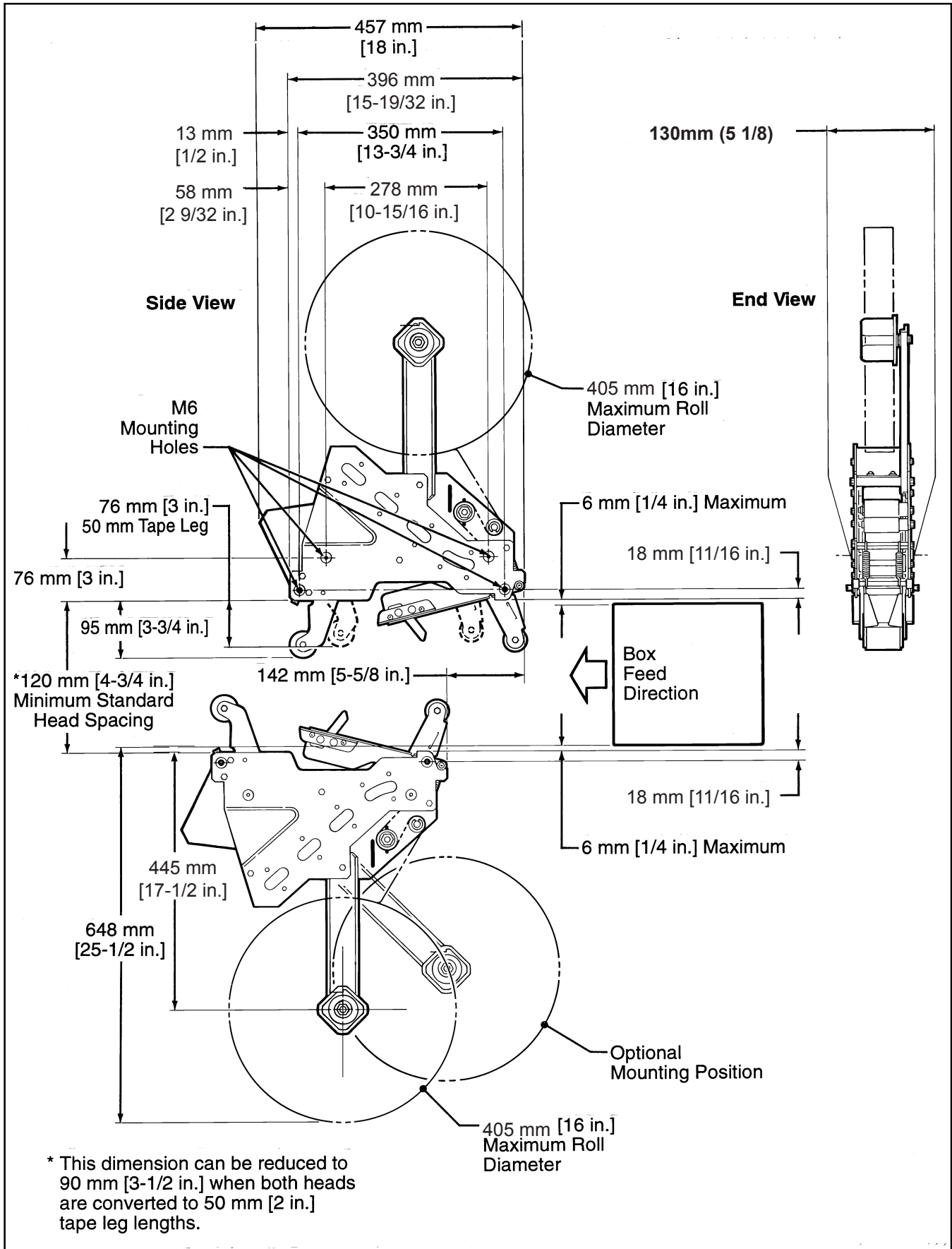
**Important** – Taping heads should not be washed down or subjected to conditions causing moisture condensation on components.

8. **Taping Head Dimensions:**

Length	–	442 mm [17 3/8 inches]
Height	–	648 mm [25 1/2 inches] (with tape drum)
Width	–	130 mm [5-1/8 inches] (without mounting spacers)
Weight	–	Packaged: 8.2 kg [18 lbs.] Unpackaged: 7.3 kg [16 lbs.]



Specifications (continued)





## WARNING

- **To reduce the risk associated with sharp blade hazards:**
  - Keep hands and fingers away from tape cutoff blades under orange blade guards. The blades are extremely sharp

### Receiving And Handling

After the taping head assembly has been unpackaged, examine the unit for damage that might have occurred during transit. If damage is evident, file a damage claim immediately with the transportation company and also notify your 3M Representative.

### Installation Guidelines

The taping head assembly can be used in converting existing or in custom made machinery. It can be mounted for top taping or bottom taping. Refer to "Box Size Capacities," as well as **Figure 2-1** in the Specifications section, for the following points in making such installations:



## CAUTION

- **To reduce the risk associated with muscle strain:**
  - Use proper body mechanics when removing or installing taping heads that are moderately heavy or may be considered awkward to lift

**Important** – Always conduct a hazard review to determine appropriate guarding requirements when the installation is in an application other than 3M-Matic™ equipment

1. The box conveying system must positively propel the box in a continuous motion, not exceeding 0.50 m/s [100 feet per minute], past the taping head assembly since the box motion actuates the taping mechanism.
2. If a pusher or cleated conveyor is being used, steps should be taken in the conveyor design to prevent the pusher from contacting the applying or buffing roller arms resulting in damage to the taping head.

3. **Figure 2-1** illustrates the typical mounting relationship for opposing taping head assemblies to allow taping of box heights down to 90mm [3-1/2 inches]. To tape box heights down to 70mm [2-3/4 inches], the taping heads must be completely staggered so only one tape seal is being applied at one time.

**Note** – AccuGlide™ 3 Upper Taping Head is supplied with a buffing arm guard. Adjustments to this guard may be required to install the taping head into some older design 3M-Matic™ case sealers.

4. Mounting studs are provided with the taping head, but special installations may require alternate means for mounting.
5. Box hold-down or guide skis should be provided and the taping head mounted so that the side plates are 6mm [1/4 inch] maximum away from the ski surface on which the box rides.

### Tape Leg Length

Taping heads are factory set to apply standard 70mm [2-3/4 inch] tape legs. The heads can be converted to apply 50mm [2 inch] tape legs if desired but both upper and lower heads must be set to apply the same tape leg length. See "Adjustments – Changing Tape Leg Length From 70 to 50mm [2-3/4 to 2 Inches]."

Also, the conveyor speed at which the product moves through the taping heads, affects the leading and trailing tape leg length. See "Adjustments section – Leading Tape Leg Length Adjustment."

### Tape Width Adjustment

Taping heads are factory set to apply 72mm [3 inch] wide tape. If it is necessary to align the tape or to apply narrower tapes, refer to "Adjustments – Tape Web Alignment" for set-up procedure.

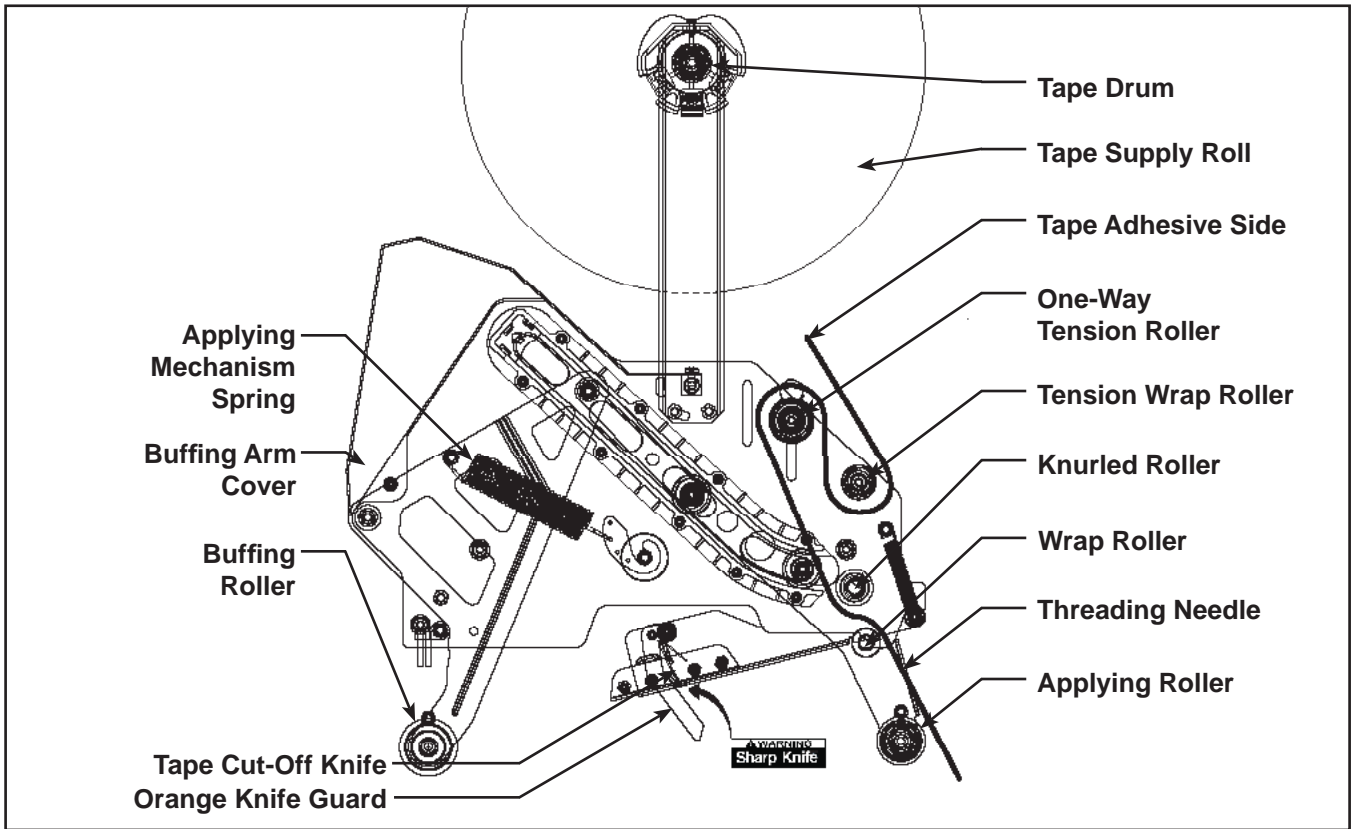


Figure 3-1 Taping Head Components/Threading Diagram - Upper Head (Left Side) View)

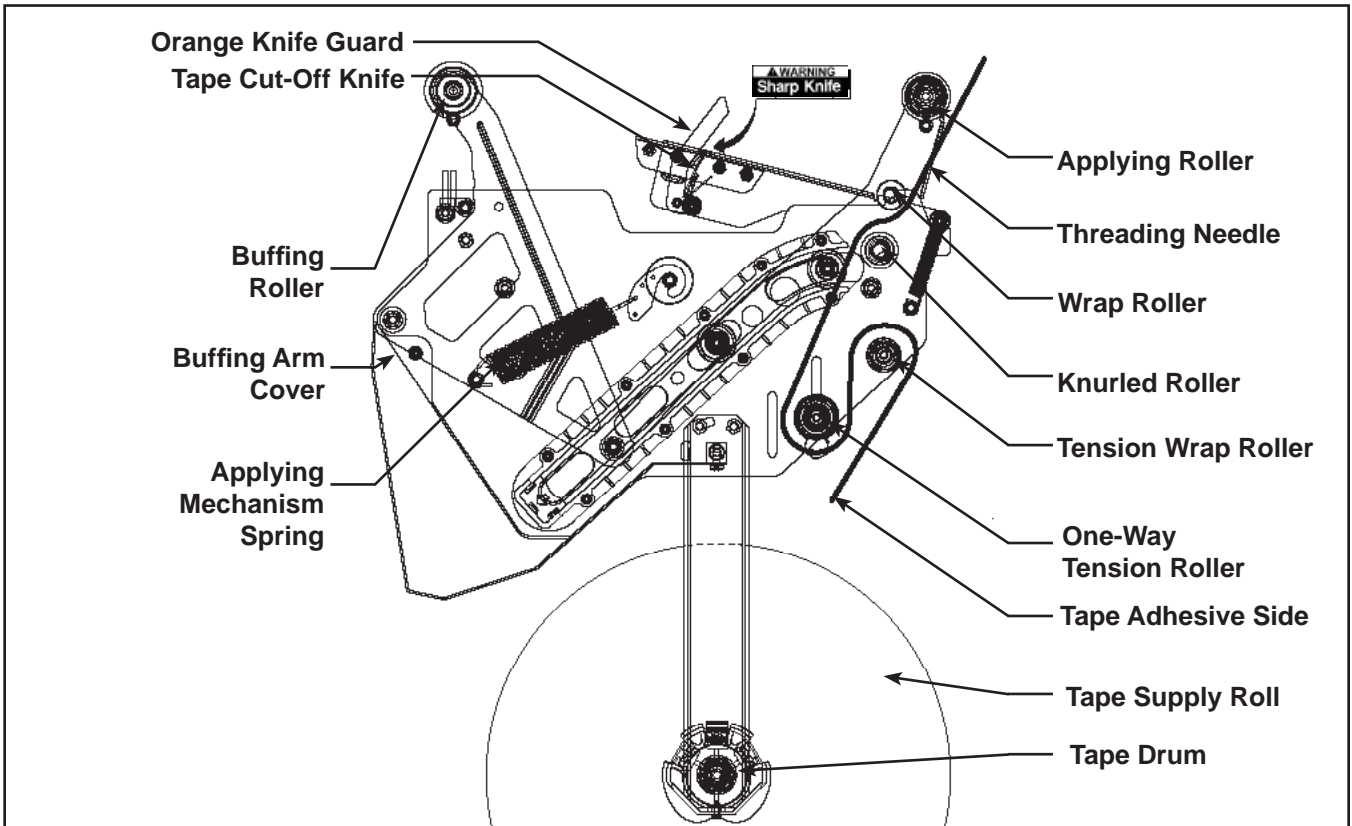


Figure 3-2 Taping Head Components/Threading Diagram - Lower Head (Left Side) View)



## WARNING

- **To reduce the risk associated with shear, pinch, and entanglement hazards:**
  - Turn air and electrical supplies off on associated equipment before performing any adjustments, maintenance, or servicing the machine or taping heads
  - Never attempt to work on the taping heads or load tape when the box drive system is running
- **To reduce the risk associated with sharp blade hazards:**
  - Keep hands and fingers away from tape cutoff blades under orange blade guards. The blades are extremely sharp

It is recommended that the detailed instructions and sketches in this manual be referred to the first few times the taping head is loaded/threaded until the operator becomes thoroughly familiar with the tape loading operation.

**Note** – Remove tape roll before removing taping head from machine to minimize weight.



## CAUTION

- **To reduce the risk associated with muscle strain:**
  - Use proper body mechanics when removing or installing taping heads that are moderately heavy or may be considered awkward to lift
- **To reduce the risk associated with impact hazards:**
  - Place the taping head on a smooth level surface when maintaining or servicing this equipment

### Tape Loading – Upper Taping Head

1. Place the upper taping head in a convenient working position.
2. Refer to **Figures 3-3 to 3-5** and tape threading label. Position the tape supply roll so the adhesive side of tape is facing the front of the taping head as it is pulled from the supply roll.
3. Attach the threading needle to the end of the roll. Guide the threading needle around the wrap roller (Position 1) then back around the one-way tension roller (Position 2).
4. Continue pulling the threading needle down and guide it between the two rollers on the apply arm (Position 3).

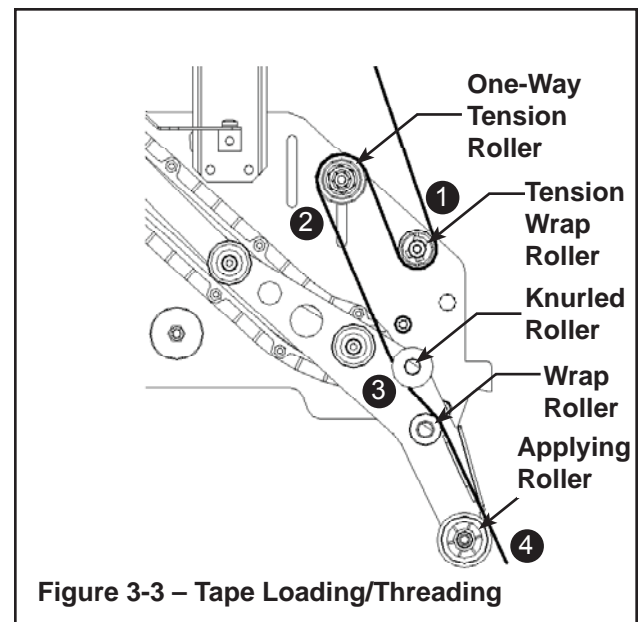
5. Pull the threading needle down until the tape travels between the apply plate and the ears of the apply arm (Position 4) until it extends past the applying roller. When properly threaded the adhesive side of the tape should be facing the knurled rollers at position 2 and also position 3.
6. Cut away any excess tape.

**Important** – Do not cut against the apply roller - roller damage could occur.

### Tape Loading – Lower Taping Head

1. Remove the lower taping head from the conveyor bed or associated equipment and place it a convenient working position.
2. The lower taping head is loaded and threaded in the same manner as the upper head. Follow the upper taping head tape loading/threading procedure.

**Figure 3-3** Insert threading needle through rollers in direction indicated by arrows.



**Figure 3-3 – Tape Loading/Threading**

Figure 3-4

Place tape roll on tape drum to dispense tape with adhesive side forward. Seat tape roll fully against back flange of drum. Adhere tape lead end to threading needle as shown.



**WARNING**

- To reduce the risk associated with sharp blade hazards:
  - Keep hands and fingers away from tape cutoff blades under orange blade guards. The blades are extremely sharp

Manually turn tape roll to create slack tape while pulling threading needle through tape applying mechanism until needle is through and tape is in alignment with applying roller.

Excess tape can be cut with a scissors at applying roller.

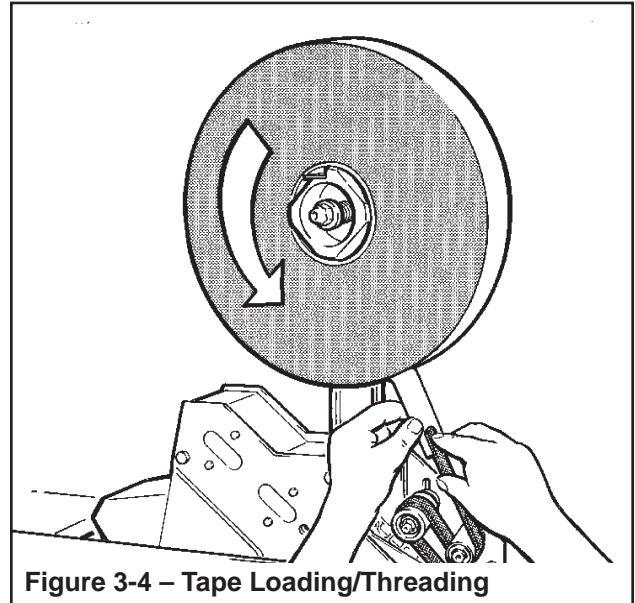


Figure 3-4 – Tape Loading/Threading

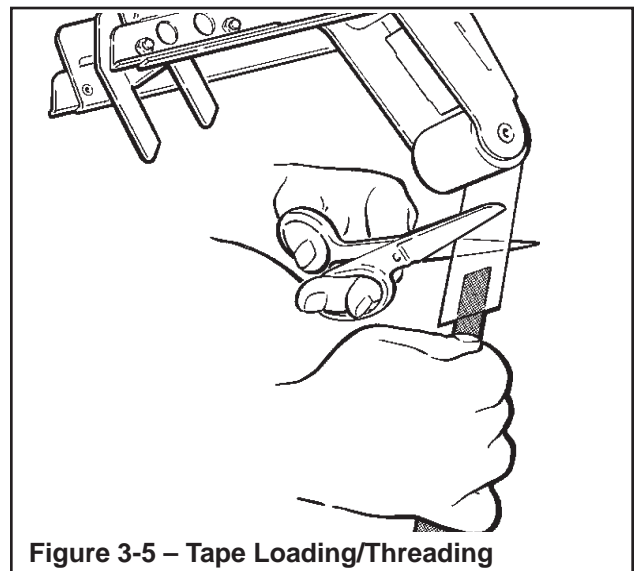


Figure 3-5 – Tape Loading/Threading



### WARNING

- **To reduce the risk associated with shear, pinch, and entanglement hazards:**
  - Turn air and electrical supplies off on associated equipment before performing any adjustments, maintenance, or servicing the taping heads
  - Never attempt to work on the taping head or load tape while the box drive system is running
- **To reduce the risk associated with sharp blade hazards:**
  - Keep hands and fingers away from tape cutoff blades under orange blade guards. The blades are extremely sharp

The AccuGlide™ 3 Taping Head - 3 Inch has been designed for long, trouble free service. The taping head will perform best when it receives routine maintenance and cleaning. Taping head components that fail or wear excessively should be promptly repaired or replaced to prevent damage to other portions of the head or to the product.

#### Blade Replacement, Upper and Lower Taping Heads – Figure 4-1



### WARNING

- **To reduce the risk associated with sharp blade hazards:**
  - Keep hands and fingers away from tape cutoff blades under orange blade guards. The blades are extremely sharp

1. Loosen, but do not remove, the blade screws (A). Remove and discard old blade.
2. Mount the new blade (B) with the beveled side away from the blade holder.

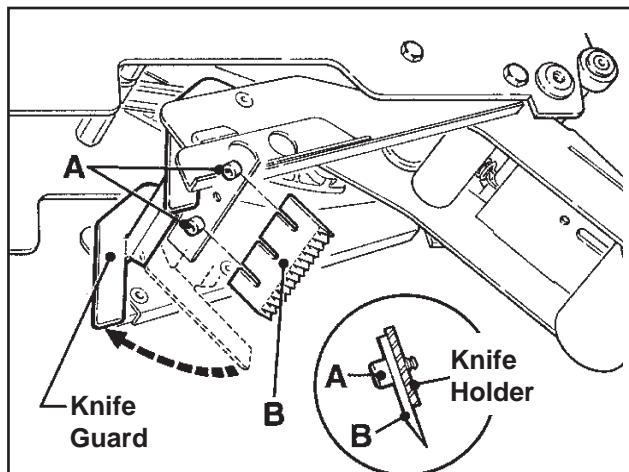


Figure 4-1 – Blade Replacement

3. Bottom the blade slots against the screws. (This will position the blade at the correct angle.) Tighten the blade screws to secure the blade.

**Note** – Check the blade position to insure proper clearance between blade and guard by slowly pivoting the blade guard back.

#### Blade Guard

The blade guard covers the blade whenever a box is not being taped. Periodically check to be sure the blade guard is functioning properly and returning to cover the blade. Replace any defective parts.

#### Blade Oiler Pad



### WARNING

- **To reduce the risk associated with sharp blade hazards:**
  - Keep hands and fingers away from tape cutoff blades under orange blade guards. The blades are extremely sharp

To reduce adhesive build-up, the taping heads are equipped with a factory pre-lubricated felt oiler pad that provides a film of oil on the cutting edge of the blade to reduce adhesive build-up. Apply SAE #30 non-detergent oil as needed. Saturate felt oiler pad with oil.

Should tape adhesive build-up occur on blade, carefully wipe clean with an oily cloth.





## WARNING

- **To reduce the risk associated with shear, pinch, and entanglement hazards:**
  - Turn air and electrical supplies off on associated equipment before performing any adjustments, maintenance, or servicing the taping heads
  - Never attempt to work on the taping head or load tape while the box drive system is running
- **To reduce the risk associated with sharp blade hazards:**
  - Keep hands and fingers away from tape cutoff blades under orange blade guards. The blades are extremely sharp

### Cleaning

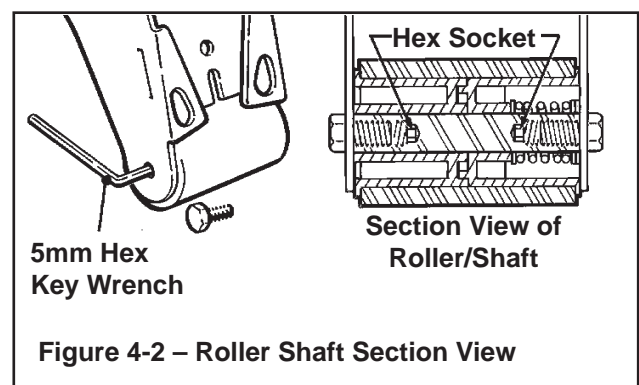
Regular slotted containers produce a great deal of dust and paper chips when conveyed through taping heads. If this dust is allowed to build-up on the heads, it can cause wear on the moving parts. Excessive dirt build-up should be wiped off with a damp cloth. Cleaning should be done **once per month**, depending on the number and type of boxes used. If the boxes used are dirty, or if the environment in which the heads operate is dusty, cleaning on a more frequent basis may be necessary.

**Note** – Never attempt to remove dirt from taping heads by blowing it out with compressed air. This can cause the dirt to be blown inside the components onto sliding surfaces. Dirt in these areas can cause serious equipment damage. Never wash down or subject taping heads to conditions causing moisture condensation on components. Serious equipment damage could result.

### Applying/Buffering Roller Replacement

Replacing roller requires removal of shaft and mounting screws. With no area on the shaft to grip, the shaft often turns when attempting to remove the second screw.

To ease removal of second screw, a 5mm hex socket has been provided at the bottom of the threads in both ends of the shaft. Insert a 5mm hex key wrench into this socket after removing one screw to hold the shaft for removal of the second screw. **See Figure 4-2.**



## Adjustments



### WARNING

- To reduce the risk associated with shear, pinch, and entanglement hazards:
  - Turn air and electrical supplies off on associated equipment before performing any adjustments, maintenance, or servicing the machine or taping heads
  - Never attempt to work on the taping head or load tape while the box drive system is running

### Tape Latch Alignment – Figure 5-1

The Latching tape drum assembly is pre-set to accommodate 72mm [3 inch] wide tape. The tape drum assembly is adjustable to provide alignment of narrower tapes.

To move the latch to a position that corresponds to a new tape core width (**Figure 5-1**):

1. Remove screw from the latch.
2. Move to the latch to the position that corresponds to the tape core width.
3. Replace screw in the new latch location.

To adjust or center the tape width on the centerline of the taping head, and therefore box center seam, (**Figure 5-2**):

1. Loosen the locking hex nut behind tape drum bracket on tape drum shaft. Use an adjustable wrench or 25mm open end wrench.

**Note** – To set up 72mm tape drum for 48mm tape, disassemble tape drum from bracket and install lock nut between tape drum and bracket as shown in inset, **Figure 5-3**.

2. Turn tape drum shaft in or out to center the tape web (use 5mm hex wrench).
3. Tighten locking hex nut to secure the adjustment.

No other components require adjustment for tape web alignment.

### Tape Drum Friction Brake – Figure 5-3

The tape drum friction brake on each taping head is pre-set for normal operation to prevent tape roll over travel. Should tension adjustment be required, turn the self-locking nut on the shaft to vary compression of the spring. Turn the nut clockwise to increase the braking force, and counterclockwise to decrease the braking force. Adjust brake to minimum tension to prevent excessive tape roll over travel.

**Note** – Excess braking force will cause poor tape application and may lead to tape tabbing on the trailing tape leg.

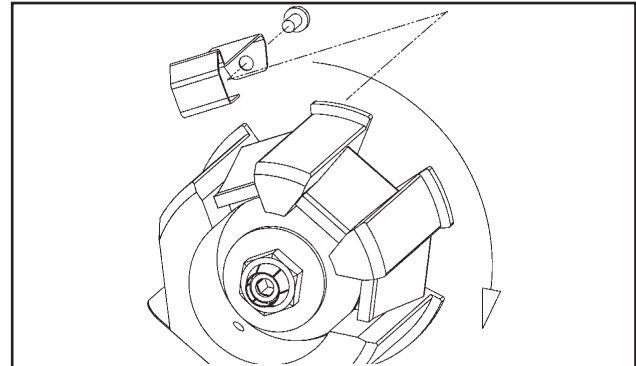


Figure 5-1 – Tape Latch Alignment

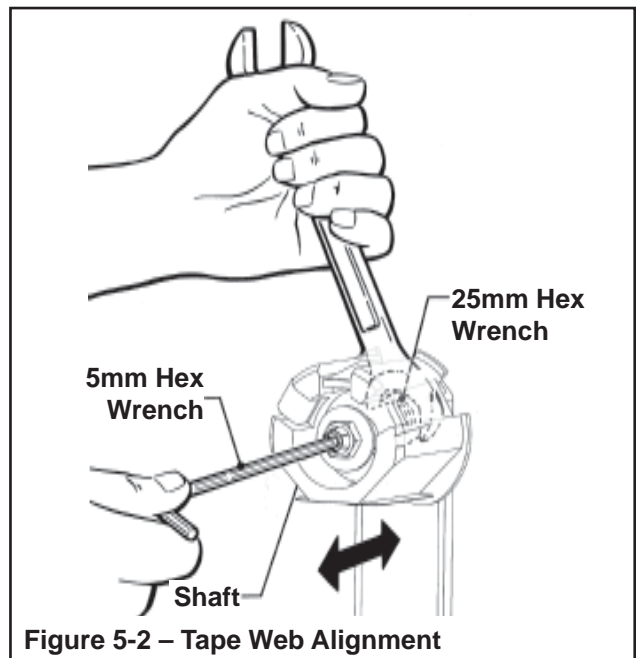


Figure 5-2 – Tape Web Alignment

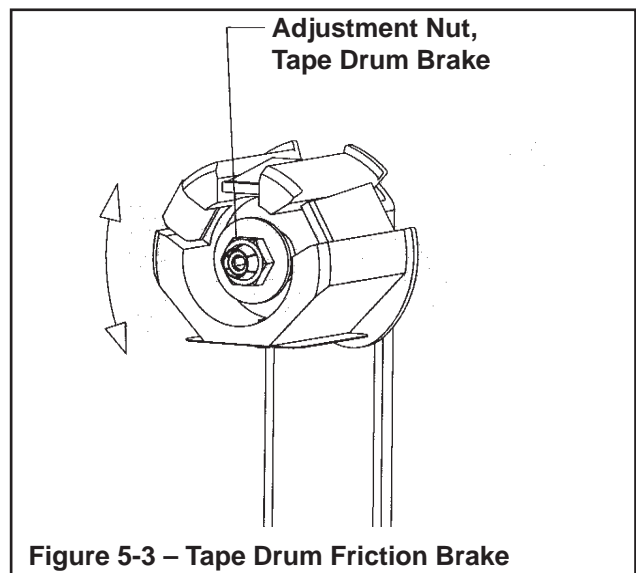


Figure 5-3 – Tape Drum Friction Brake





**WARNING**

- **To reduce the risk associated with shear, pinch, and entanglement hazards:**
  - Turn air and electrical supplies off on associated equipment before performing any adjustments, maintenance, or servicing the machine or taping heads
  - Never attempt to work on the taping head or load tape while the box drive system is running

**Applying Mechanism Spring**

To obtain access to the spring, remove the taping head cover (four mounting screws). Replace cover when finished.

The applying mechanism spring, shown in **Figures 5-4A and 5-4B**, controls applying and buffing roller pressure on the box and returns the mechanism to the reset position. The spring pressure is pre-set, as shown in **Figure 5-4A** for normal operation, but is adjustable.

If a tape gap appears on the trailing surface of the box increase spring pressure. If the front of the box is being crushed by the applying roller decrease spring pressure.

Removing the spring end loop from the spring holder and placing loop in other holes provided, as shown in **Figure 5-4B**, will adjust the spring pressure.

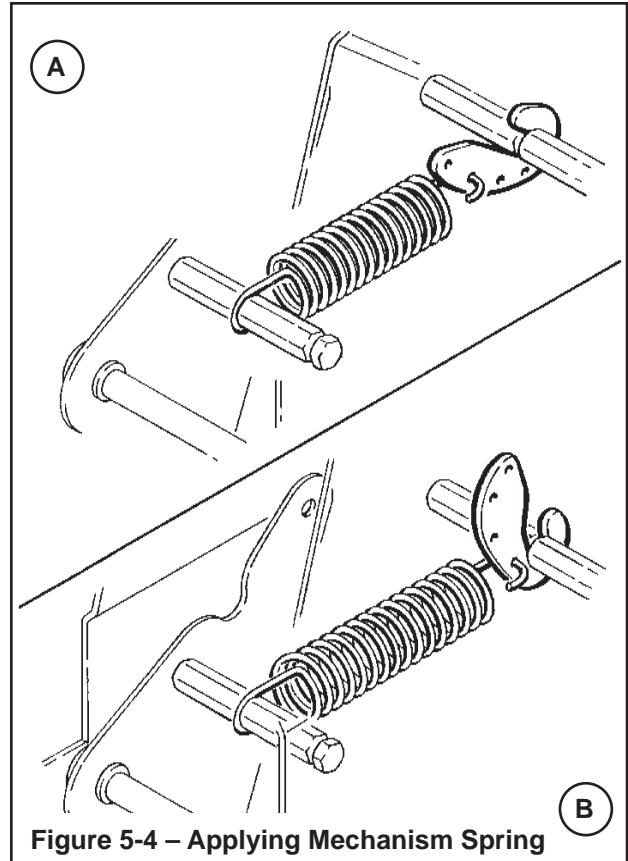
**One-Way Tension Roller**

**Figure 5-5**

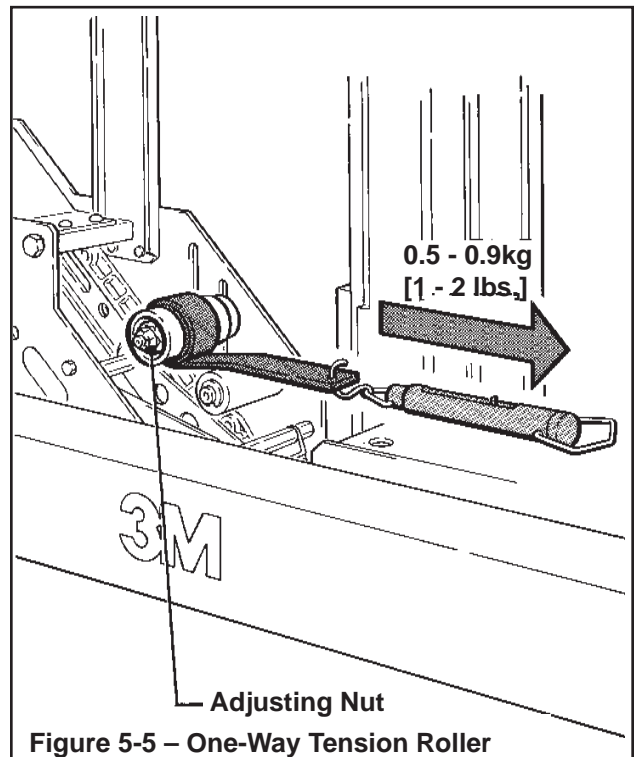
The one-way tension roller is factory set. When replacing this assembly, the roller must have a force of approximately 0.5 kg to 0.9 kg [1 to 2 lbs.] when turning.

To Adjust Tension:

1. Wrap a cord or small strap (non-adhesive) 4-6 turns around the tension roller.
2. Attach a spring scale to the end of the cord or strap.
3. Turn the adjusting nut with the socket wrench provided, until a force of approximately 0.5 kg to 0.9 kg [1 to 2 lbs.] is required to turn the roller by pulling on the spring scale.



**Figure 5-4 – Applying Mechanism Spring**



**Figure 5-5 – One-Way Tension Roller**



**WARNING**

- **To reduce the risk associated with shear, pinch, and entanglement hazards:**
  - Turn air and electrical supplies off on associated equipment before performing any adjustments, maintenance, or servicing the machine or taping heads
  - Never attempt to work on the taping head or load tape while the box drive system is running

**Tape Leg Length**



**WARNING**

- **To reduce the risk associated with sharp blade hazards:**
  - Keep hands and fingers away from tape cutoff knives under orange blade guards. The blades are extremely sharp

**Leading Tape Leg Length Adjustment – Figure 5-6**

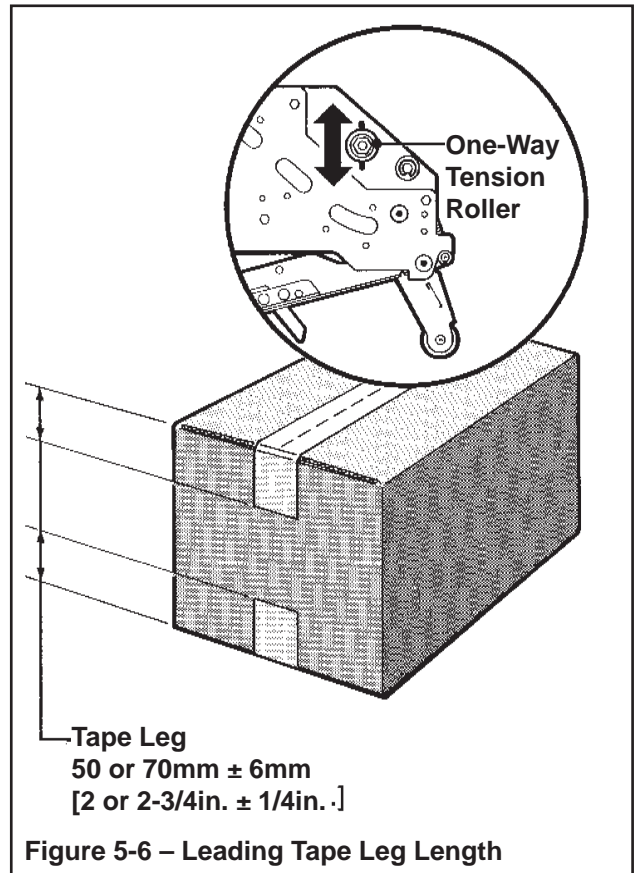
The one-way tension roller position is adjustable to control the leading tape leg length.

Moving this roller farther away from the box top or bottom surface will decrease the leading leg length. Moving it closer to the box top or bottom surface will increase the leading leg length.

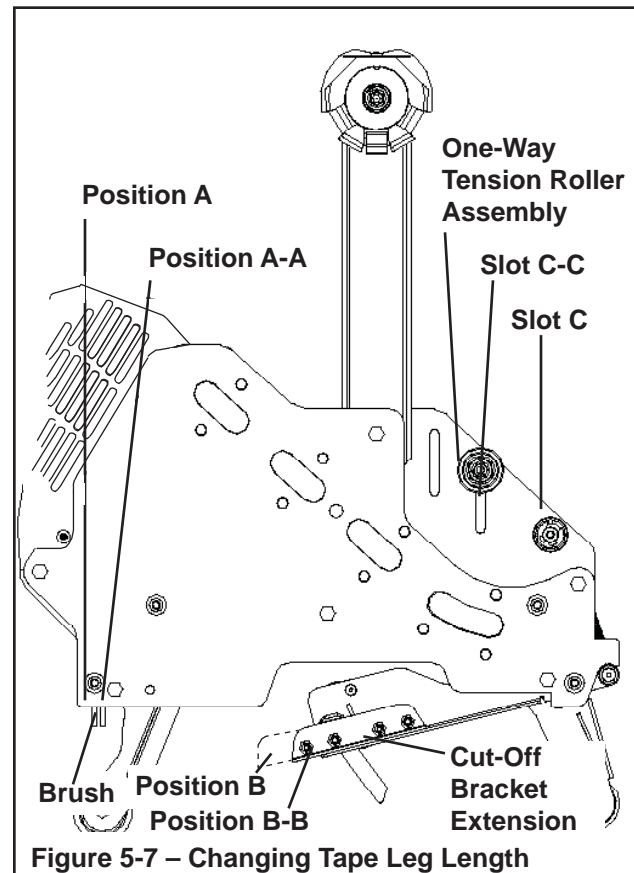
Changing Tape leg Length from 70 to 50mm [2-3/4 to 2 inches] – **Figure 5-7**

**Note** – When changing tape leg length, both upper and lower heads must be adjusted to apply the same leg lengths.

1. Remove and retain two hex head screws and remove the brush from normal position “A” on side frame.
2. Remount and secure brush in position “A-A” on side frame forward of normal location using original fasteners.
3. Remove cut-off bracket extensions from position “B”.
4. Remount cut-off bracket extensions in forward position “B-B”.
5. Remove and retain the one-way tension roller assembly from slot “C” in frame.
6. Remount tension roller assembly near top of slot “C-C” in frame using original fasteners.
7. Adjust tension roller according to "Leading Tape Leg Length Adjustment" above.



**Figure 5-6 – Leading Tape Leg Length**



**Figure 5-7 – Changing Tape Leg Length**

---

## Troubleshooting

---

### Troubleshooting Guide

<b>Problem</b>	<b>Cause</b>	<b>Correction</b>
The tape leg on the front of the case is too long	The tape is threaded incorrectly	The tape must go around the wrap roller before going around the one-way tension roller
	The tape tension is too low	Adjust the one-way tension roller
	The knurled roller drags	Check for adhesive build-up between the knurled roller and its shaft. Clean and lubricate shaft. Remove all lubricant from roller surfaces.
	Tape tracks to one side or drags on the support tabs of applying frame	Adjust the tape web alignments
	The one-way tension roller is not correctly positioned	Position the roller in its mounting slot so that the tape extends just beyond the center line of the applying roller
	Taping head is not set up properly	Check leg length adjustments
The blade does not cut tape or the tape end is jagged or shredded	The blade is dull and/or has broken teeth	Replace the blade
	Tape tension is insufficient	Increase tape tension by adjusting the one-way tension roller
	Adhesive has built up on the blade	Clean and adjust the blade
	The blade is not positioned properly	Make sure the blade is bottomed out against the mounting bolts
	The blade is dry	Lubricate the blade oiler pad on the blade guard
	The blade is in backwards	Mount the blade so that the beveled edge is away from the entrance of the head
	One or both cutter springs are missing or stretched	Replace the defective spring(s)
	Tension roller surface is not fully contacting the taping head frame	Make sure one-way bearing is below the surface of the tension roller. If not, press bearing further into roller or replace roller.

(continued)

## Troubleshooting (continued)

---

### Troubleshooting Guide

<b>Problem</b>	<b>Cause</b>	<b>Correction</b>
Tape is tabbing on the trailing leg on the back of the box	There is excess tension on the tape drum assembly and/or the one-way tension roller assembly	Adjust the one-way tension roller and/or the tape drum assembly
	Rollers in the tape path do not rotate freely	Clean adhesive deposits from the surface, ends, and shafts of the rollers. Then lubricate roller shafts. Remove all lubricant from roller surfaces.
	The blade is not cutting tape properly	Refer to tape cutting problems
	The tape is threaded incorrectly	Rethread the tape
The tape end does not stay in application position in front of the applying roller	Applying mechanism spring has too little tension	Move spring hook to next tighter hole
	The tape is incorrectly threaded	Rethread the tape
	Flanged knurled roller overruns on return of applying mechanism to its rest position	Adjust tension roller position in mounting slot to lengthen tape leg
	Applying roller overruns on return of applying mechanism to its rest position	There should be a slight drag when rotating the applying roller. If not, check friction springs and/or friction pins and replace if necessary
	The one-way tension roller is not correctly positioned	Position roller in its mounting slot so that tape end extends beyond center line of applying roller
	The one-way tension roller is defective	Replace the one-way tension roller
Tape not centered on box seam	Tape drum not centered	Reposition tape drum
	Centering guides not centered	Adjust centering guides
	Box flaps not of equal length	Check box specifications

---

## Spare Parts/Service Information

---

### Recommended Spare Parts

Listed are a set of spare parts that will periodically require replacement due to normal wear. These parts should be ordered to keep the taping heads in production:

#### AccuGlide™ 3 Upper Taping Head - 3 Inch

Qty.	Part Number	Description
4	78-8076-4500-3	Stud – Mounting
1	78-8137-3311-6	Spring – Upper Extension
1	78-8028-7899-7	Knife – 89mm/3.5 Inch
2	78-8052-6602-6	Spring – Cutter
1	78-8076-4726-4	Tool – Tape Threading

#### AccuGlide™ 3 Lower Taping Head - 3 Inch

Qty.	Part Number	Description
1	78-8028-7899-7	Knife – 89mm/3.5 Inch
2	78-8052-6602-6	Spring – Cutter
4	78-8076-4500-3	Stud – Mounting
1	78-8137-3312-4	Spring – Lower Extension
1	78-8076-4726-4	Tool – Tape Threading

In addition to the above set of spare parts supplied with the taping head, it is suggested that the following spare parts be maintained which will require replacement under normal wear of the taping head.

Qty.	Part Number	Description
1	78-8057-6181-0	Roller – Applying
1	78-8057-6180-2	Roller – Buffing
1	78-8113-7030-9	Spring – Torsion

### Replacement Parts and Service

Refer to the first page of this instruction manual “**Replacement Parts and Service Information.**”

**Replacement Parts Illustrations and Parts Lists**  
**AccuGlide™ 3 Upper Taping Head - 3 Inch, Type 10800**  
**AccuGlide™ 3 Lower Taping Head - 3 Inch, Type 10800**

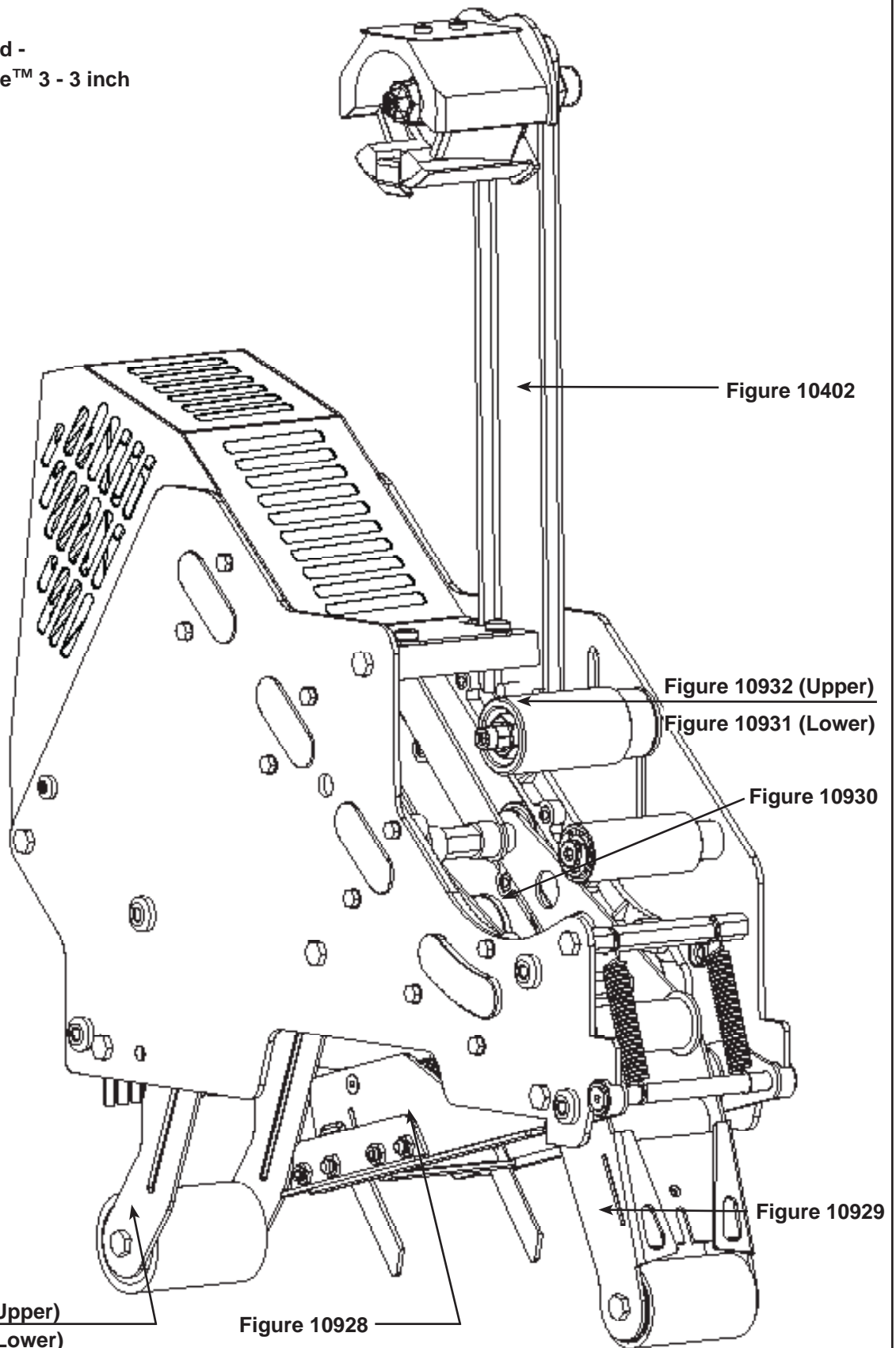
1. Refer to the **Taping Head Assemblies** Figure to find all the parts illustrations identified by **figure numbers**.
2. Refer to the figure or figures to determine the **individual parts** required and the **parts reference number**.
3. The **replacement parts list**, that follows each illustration, includes the **part number** and **part description** for the parts in that illustration.

**Note** – The complete description has been included for standard fasteners and some commercially available components. This has been done to allow obtaining these standard parts locally, should the customer elect to do so.

4. Refer to the first page of this instruction manual "**Replacement Parts and Service Information**" for replacement parts ordering information.

**Important** – Not all the parts listed are normally stocked items. Some parts or assemblies shown are available only on a special order basis. Contact 3M/Tape Dispenser Parts to confirm item availability.

Tape Head -  
AccuGlide™ 3 - 3 inch



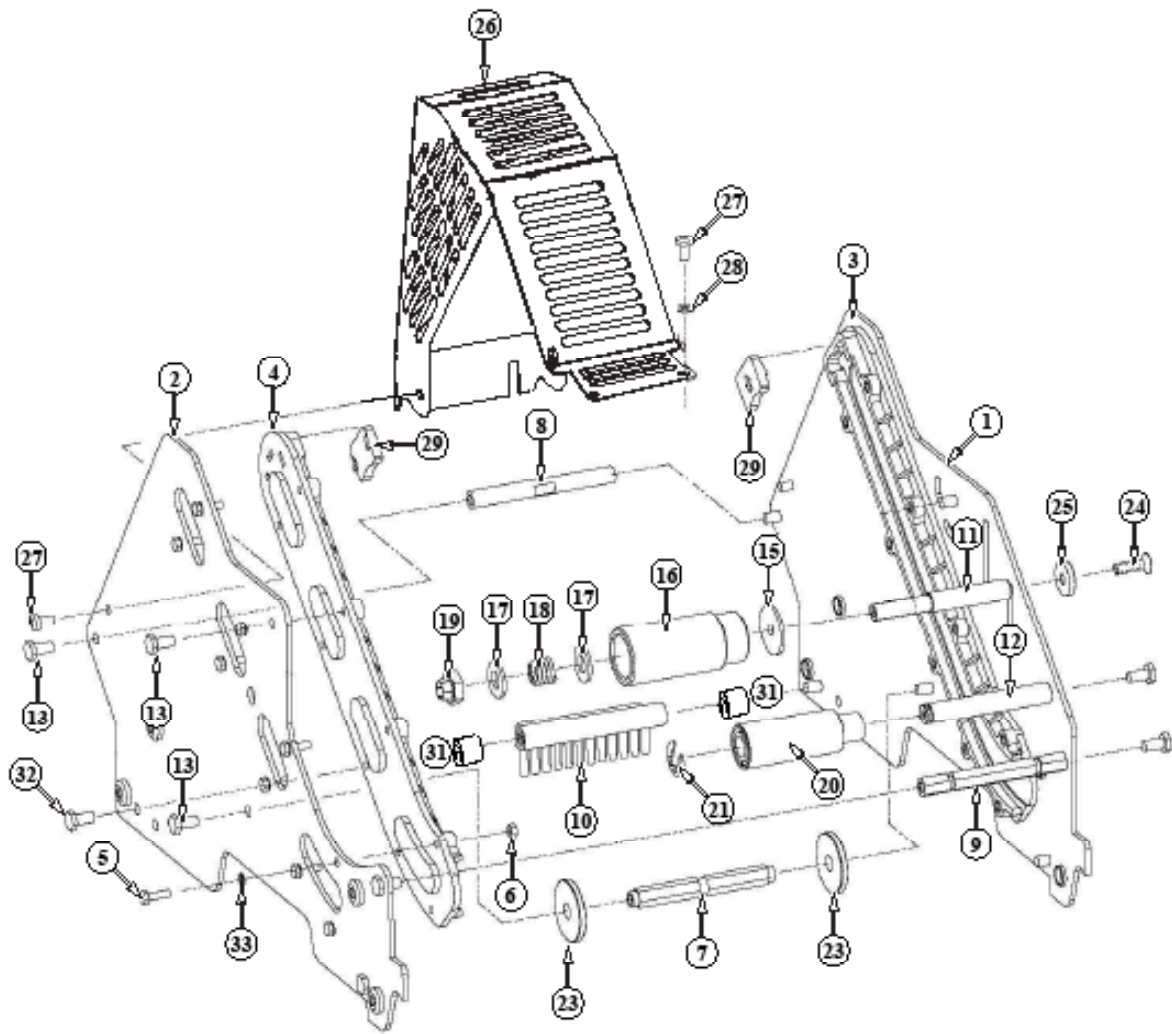


Figure 10932 – Upper Head



## AccuGlide™ 3 - 3"

**Figure 10932 – Upper Head**

<b>Ref. No.</b>	<b>3M Part No.</b>	<b>Description</b>
10932-1	78-8137-3294-4	Frame – Tape Mount Upper Assembly
10932-2	78-8137-3295-1	Frame – Front Upper Assembly
10932-3	78-8068-4143-9	Guide – #1
10932-4	78-8068-4144-7	Guide – #2
10932-5	78-8060-7818-0	Screw – Hex Hd, M4 x 12
10932-6	78-8010-7416-8	Nut – Hex Jam, M4
10932-7	78-8076-4735-5	Spacer – Spring
10932-8	78-8137-3309-0	Shaft - Pivot 115mm
10932-9	78-8060-7939-4	Spacer – 10 x 115 W/Slots
10932-10	78-8060-7936-0	Brush Assembly
10932-11	78-8054-8796-0	Shaft – Tension Roller
10932-12	78-8054-8798-6	Shaft – Wrap Roller
10932-13	26-1003-5829-5	Screw – Hex Hd, M6 x 12
10932-15	78-8100-1009-6	Washer – Special
10932-16	78-8054-8797-8	Roller – Top Tension
10932-17	26-1004-5510-9	Washer – Plain, M10
10932-18	78-8052-6567-1	Spring – Compression
10932-19	78-8017-9077-1	Nut – Self Locking, M10 x 1
10932-20	78-8054-8799-4	Roller – Wrap
10932-21	26-1000-1613-3	Ring – Retaining, Tru-Arc #1-420-0120-100
10932-22	78-8076-4500-3	Stud – Mounting (not shown)
10932-23	78-8076-5242-1	Stop – Cut-Off Frame
10932-24	78-8060-8179-6	Screw - Flat Head Hex, M6 x 20
10932-25	78-8076-5477-3	Washer – Special, 6.5 x 20 x 4
10932-26	78-8137-3310-8	Guard – Head
10932-27	78-8060-8087-1	Screw – M5 x 10
10932-28	78-8005-5741-1	Washer – Flat, M5
10932-29	78-8133-9615-3	Bumper
10932-30	78-8133-9605-4	Label – Threading, English Language
10932-31	78-8060-7937-8	Spacer 6.5 / 14 x 12.5
10932-32	78-8060-7938-6	Screw - Low Profile M6 x 25
10924-33	78-8076-4716-5	Star Washer 4mm

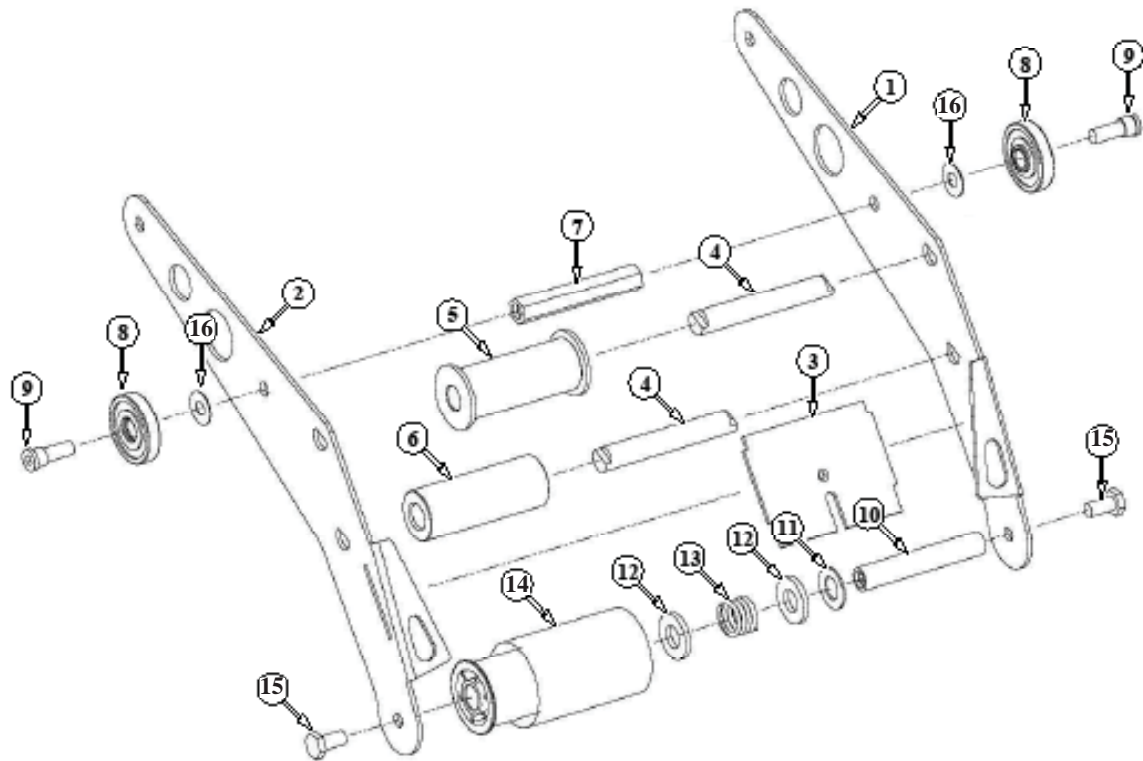


Figure 10929 – Upper and Lower Heads

## AccuGlide™ 3 - 3"

Figure 10929 – Upper and Lower Heads

Ref. No.	3M Part No.	Description
10929-1	78-8133-9520-5	Arm – Applying, R/H
10929-2	78-8133-9521-3	Arm – Applying, L/H
10929-3	78-8070-1292-3	Plate – Back-Up
10929-4	78-8076-4736-3	Shaft Roller
10929-5	78-8076-4737-1	Roller Assembly – Knurled
10929-6	78-8076-4738-9	Roller – Wrap
10929-7	78-8054-8806-7	Spacer
10929-8	78-8017-9082-1	Bearing – Special, 30 mm
10929-9	78-8017-9106-8	Screw – Bearing Shoulder
10929-10	78-8054-8801-8	Shaft – 10 x 85, W/Hexagon
10929-11	78-8017-9074-8	Washer – Nylon, 15mm
10929-12	26-1004-5510-9	Washer – Friction
10929-13	78-8052-6567-1	Spring – Compression
10929-14	78-8137-1392-8	Assembly– Applying Roller
10929-15	26-1003-5829-5	Screw – Hex Hd, M6 x 12
10929-16	78-8094-6151-6	Washer - Flat, 6.5 ID x 15 OD x 0.5 Thk

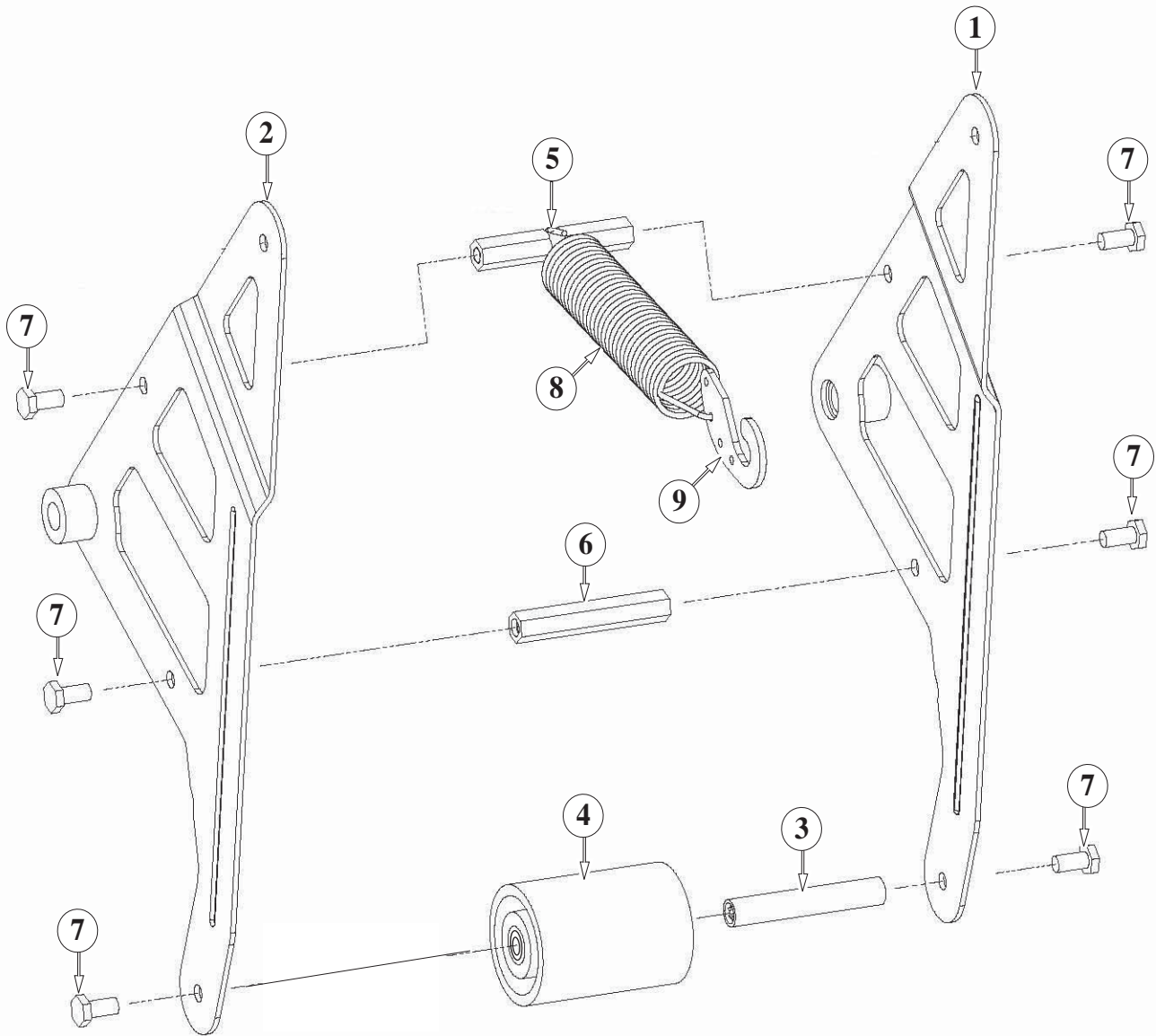


Figure 10926 – Upper Head

**AccuGlide™ 3 - 3"**

**Figure 10926 – Upper Head**

<b>Ref. No.</b>	<b>3M Part No.</b>	<b>Description</b>
10926-1	78-8137-3300-9	Buffing Arm – Sub Assembly
10926-2	78-8137-3301-7	Buffing Arm – Sub Assembly
10926-3	78-8091-0799-4	Shaft – 10 x 85, W/Hexagon
10926-4	78-8137-1397-7	Roller – Buffing Assembly
10926-5	78-8076-4739-7	Spacer – Spring
10926-6	78-8052-6580-4	Spacer
10926-7	26-1003-5829-5	Screw – Hex Hd, M6 x 12
10926-8	78-8137-3311-6	Spring – Upper (100 fpm)
10926-9	78-8070-1244-4	Holder – Spring

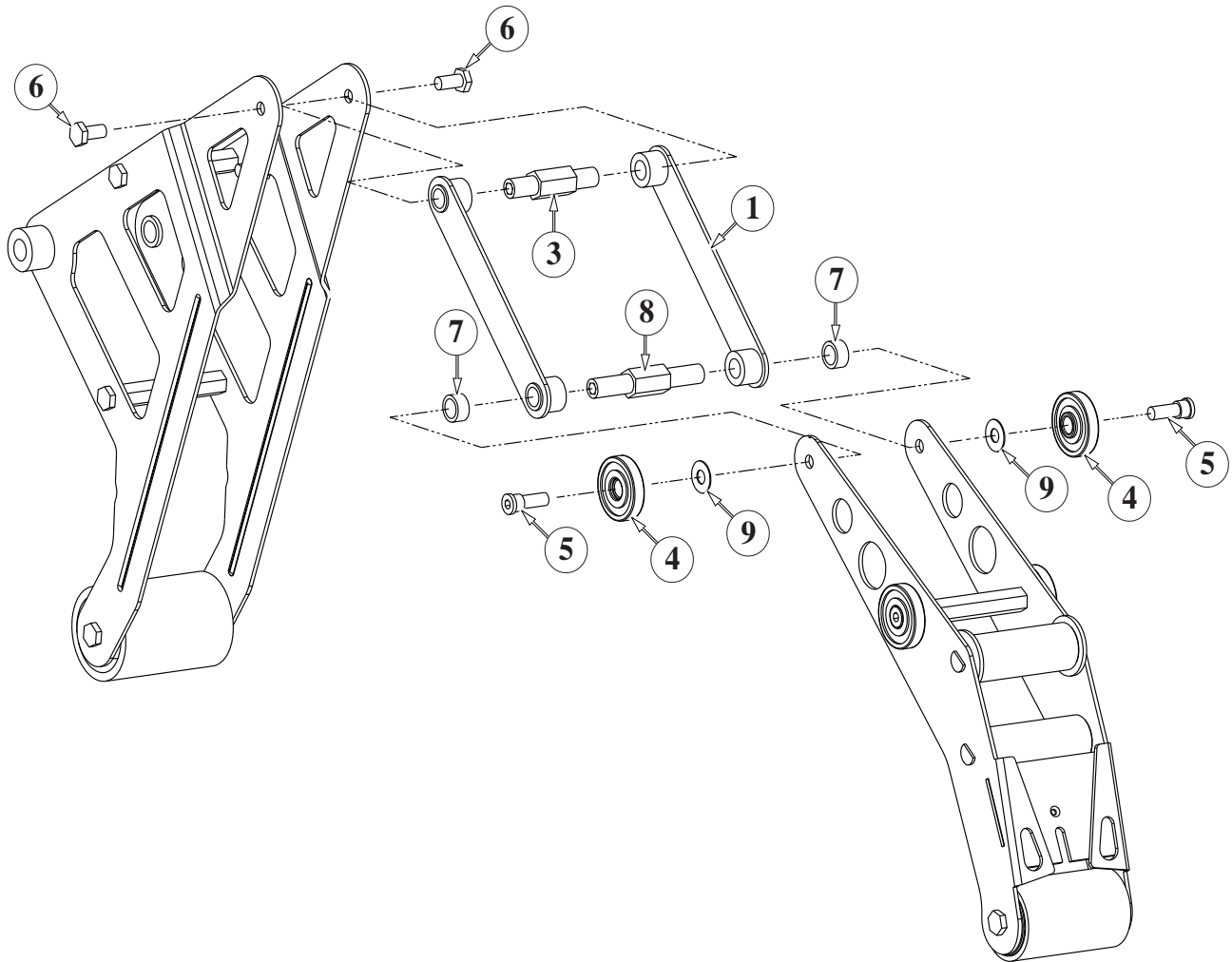


Figure 10930 – Upper and Lower Heads

**AccuGlide™ 3 - 3"**

**Figure 10930 – Upper and Lower Heads**

<b>Ref. No.</b>	<b>3M Part No.</b>	<b>Description</b>
10930-1	78-8137-3302-5	Link – R/H Assembly
10930-3	78-8137-3314-0	Shaft – Pivot, Buffing
10930-4	78-8017-9082-1	Bearing – Special 30 mm
10930-5	78-8017-9106-8	Screw – Bearing Shoulder
10930-6	26-1003-5829-5	Screw – Hex Hd, M6 x 12
10930-7	78-8137-3305-8	Spacer – Applying Pivot
10930-8	78-8137-3313-2	Shaft – Pivot, Applying
10930-9	78-8094-6151-6	Washer - Flat, 6.5 ID x 15 OD x 0.5 Thk





## AccuGlide™ 3 - 3"

Figure 10928 – 3" Upper and Lower Heads

Ref. No.	3M Part No.	Description
10928-1	78-8070-1283-2	Frame – Cut-Off
10928-2	78-8028-7899-7	Knife – 89 mm/3.5 Inch
10928-3	26-1002-5817-2	Screw – Hex Hd, M5 x 8
10928-4	78-8076-4741-3	Knife Guard Assembly – W/English Language Label
10928-5	78-8054-8813-3	Shaft – Knife Guard
10928-7	26-1005-4758-2	Screw – Flat Hd, Soc Dr, M4 x 10
10928-8	78-8060-7941-0	Pin – Spring Holder W/Slots
10928-9	78-8052-6600-0	Spacer
10928-10	78-8070-1269-1	Bumper
10928-11	26-1005-4757-4	Screw – Flat Hd, Soc Dr, M5 x 20
10928-12	78-8052-6602-6	Spring – Cutter
10928-13	78-8017-9132-4	Pivot – Cutter Lever
10928-14	26-1003-5828-7	Screw – Spec, Hex Hd, M6 x 10
10928-15	78-8070-1216-2	Slide – Extension
10928-16	26-1008-6574-5	Screw – Flat Hd, Phil Dr, M4 x 10
10928-17	78-8113-7060-6	Bushing – 83.7 mm Long
10928-18	78-8113-7030-9	Spring – Torsion
10928-19	78-8070-1335-0	Label – Warning, English

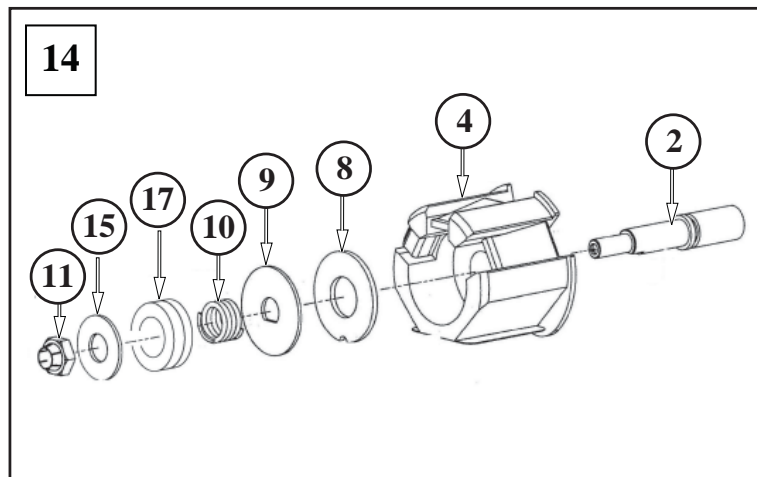
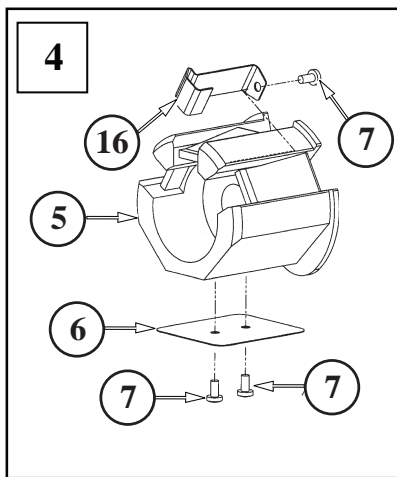
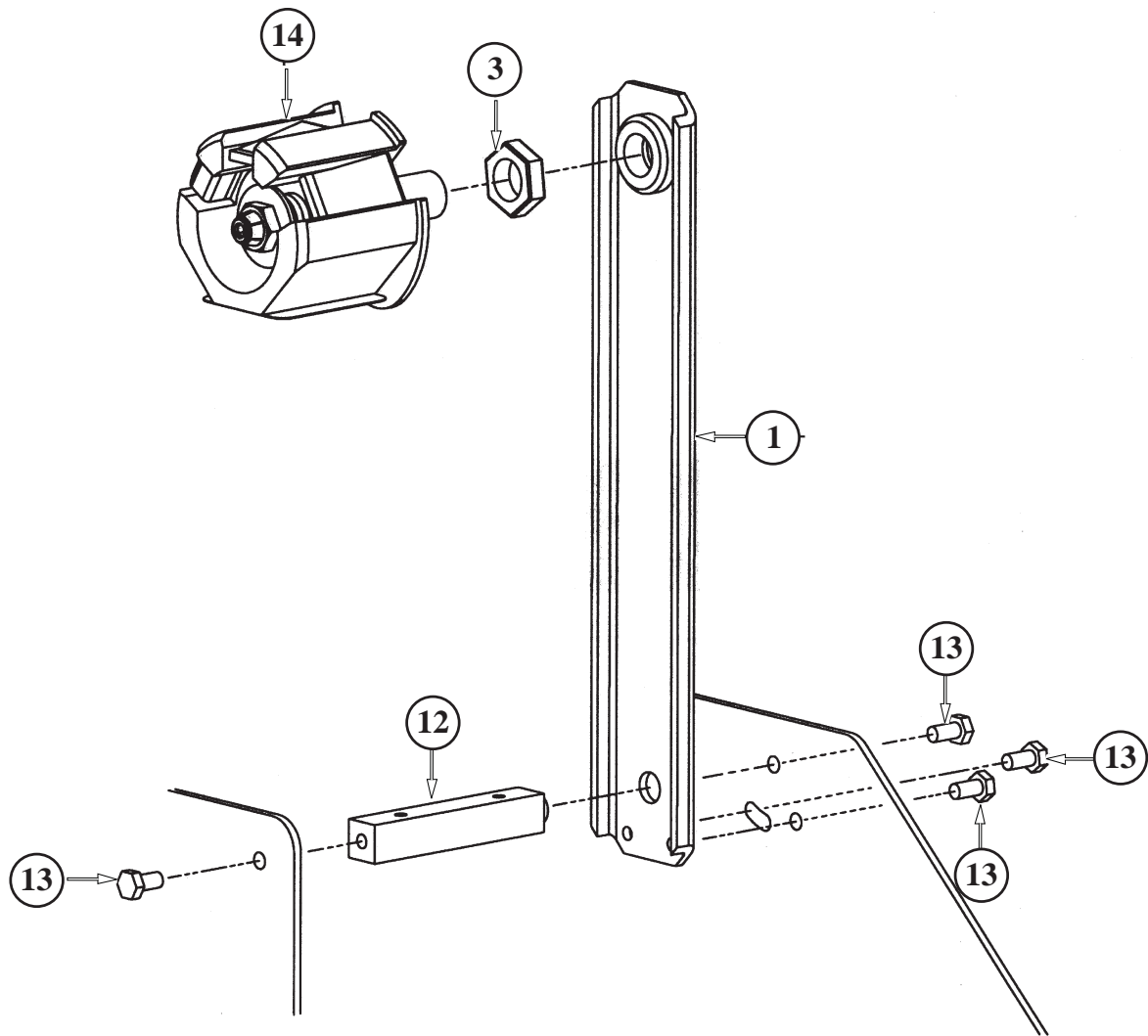


Figure 10402 – Upper and Lower Heads

**AccuGlide™ 3 - 3"**

**Figure 10402 – 3" Latch Upper and Lower Heads**

<b>Ref. No.</b>	<b>3M Part No.</b>	<b>Description</b>
10402-1	78-8070-1395-4	Bracket – Bushing Assembly
10402-2	78-8060-8462-6	Shaft – Tape Drum, 3 Inch Head
10402-3	78-8017-9169-6	Nut – M18 x 1
10402-4	78-8098-8829-6	Tape Drum Sub Assembly – 3 Inch Wide
10402-5	78-8098-8828-8	Tape Drum
10402-6	78-8098-8830-4	Leaf Spring
10402-7	26-1002-5753-9	Screw – Self Tapping
10402-8	78-8060-8172-1	Washer – Friction
10402-9	78-8052-6271-0	Washer – Tape Drum
10402-10	78-8100-1048-4	Spring – Core Holder
10402-11	78-8017-9077-1	Nut – Self Locking, M10 x 1
10402-12	78-8100-1050-0	Spacer – Bracket
10402-13	26-1003-5829-5	Screw – Hex Hd, M6 x 12
10402-14	78-8133-9641-9	Tape Drum Assembly – 3 Inch Head
10402-15	26-1004-5510-9	Washer – Plain, M10
10402-16	78-8098-8816-3	Latch – Tape Drum
10402-17	78-8052-6651-3	Washer - Nylon

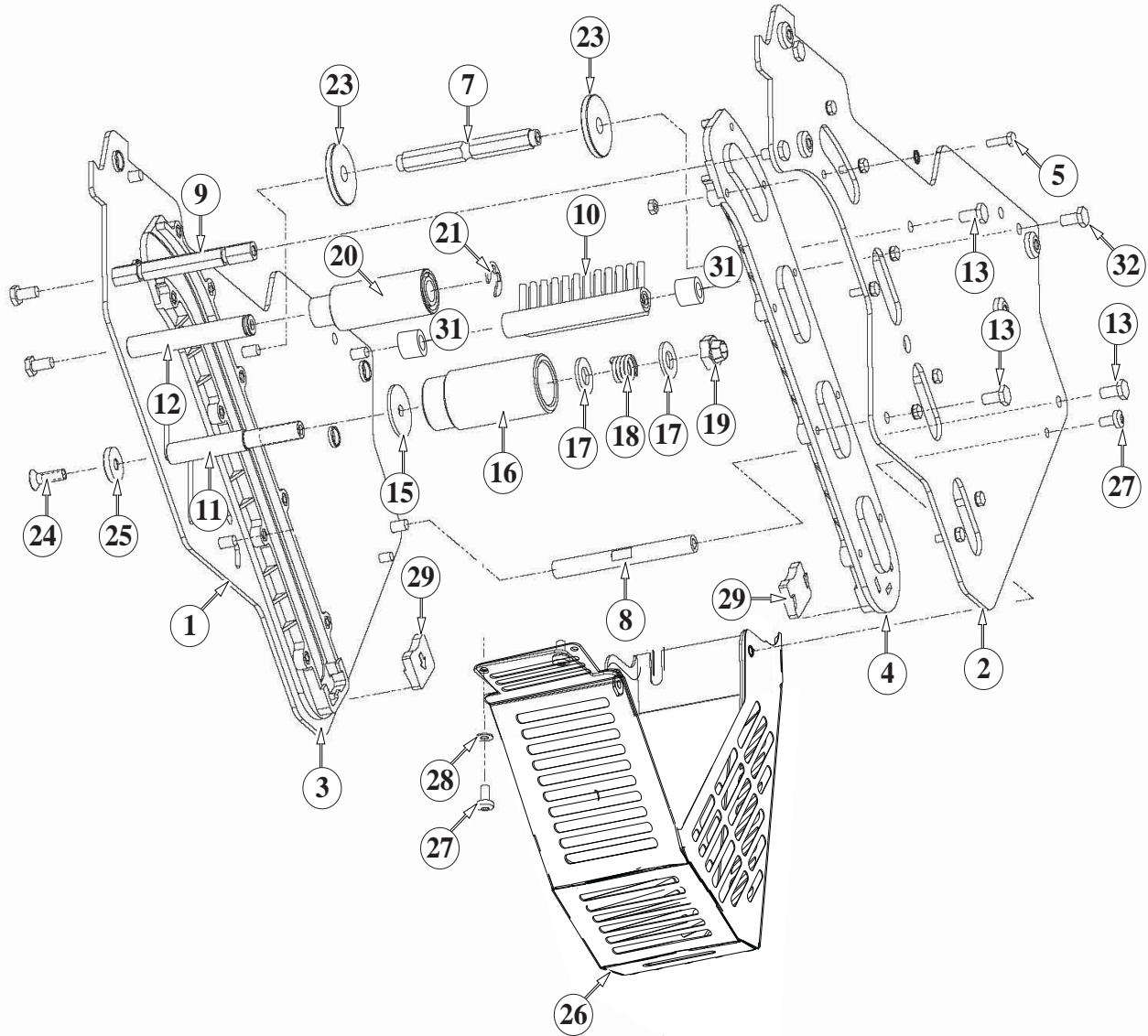


Figure 10931 – Lower Head

## AccuGlide™ 3 - 3"

Figure 10931 – Lower Head

Ref. No.	3M Part No.	Description
10931-1	78-8137-3296-9	Frame – Tape Mount Lower Assembly
10931-2	78-8137-3297-7	Frame – Front Lower Assembly
10931-3	78-8068-4144-7	Guide – #2
10931-4	78-8068-4143-9	Guide – #1
10931-5	83-0002-7336-3	Screw – Hex Hd, M4 x 14
10931-6	78-8010-7416-8	Nut – Hex, M4
10931-7	78-8076-4735-5	Spacer – Spring
10931-8	78-8137-3309-0	Spacer – 10 x 10 x 115 mm
10931-9	78-8060-7939-4	Spacer – 10 x 115, W/Slots
10931-10	78-8060-7936-0	Brush Assembly
10931-11	78-8054-8796-0	Shaft – Tension Roller
10931-12	78-8054-8798-6	Shaft – Wrap Roller
10931-13	26-1003-5829-5	Screw – Hex Hd, M6 x 12
10931-15	78-8100-1009-6	Washer – Special
10931-16	78-8054-8817-4	Roller – Tension Bottom
10931-17	26-1004-5510-9	Washer – Plain, M10
10931-18	78-8052-6567-1	Spring – Compression
10931-19	78-8017-9077-1	Nut – Self Locking, M10 x 1
10931-20	78-8054-8799-4	Roller – Wrap
10931-21	26-1000-1613-3	Ring – Retaining, Tru-Arc #1-420-0120-100
10931-22	78-8076-4500-3	Stud – Mounting (not shown)
10931-23	78-8076-5242-1	Stop – Cut-Off Frame
10931-24	78-8060-8179-6	Screw – Flat Head Hex, M6 x 20
10931-25	78-8076-5477-3	Washer – Special /6.5 x 20 x 4
10931-26	78-8137-3310-8	Guard – Head
10931-27	78-8060-8087-1	Screw – M5 x 10
10931-28	78-8005-5741-1	Washer – Flat, M5
10931-29	78-8133-9615-3	Bumper
10931-30	78-8133-9606-2	Label – Threading, English Language
10931-31	78-8060-7937-8	Spacer 6.5 / 14 x 12.5
10931-32	78-8060-7938-6	Screw - Low Profile M6 x 25
10924-33	78-8076-4716-5	Star Washer 4mm

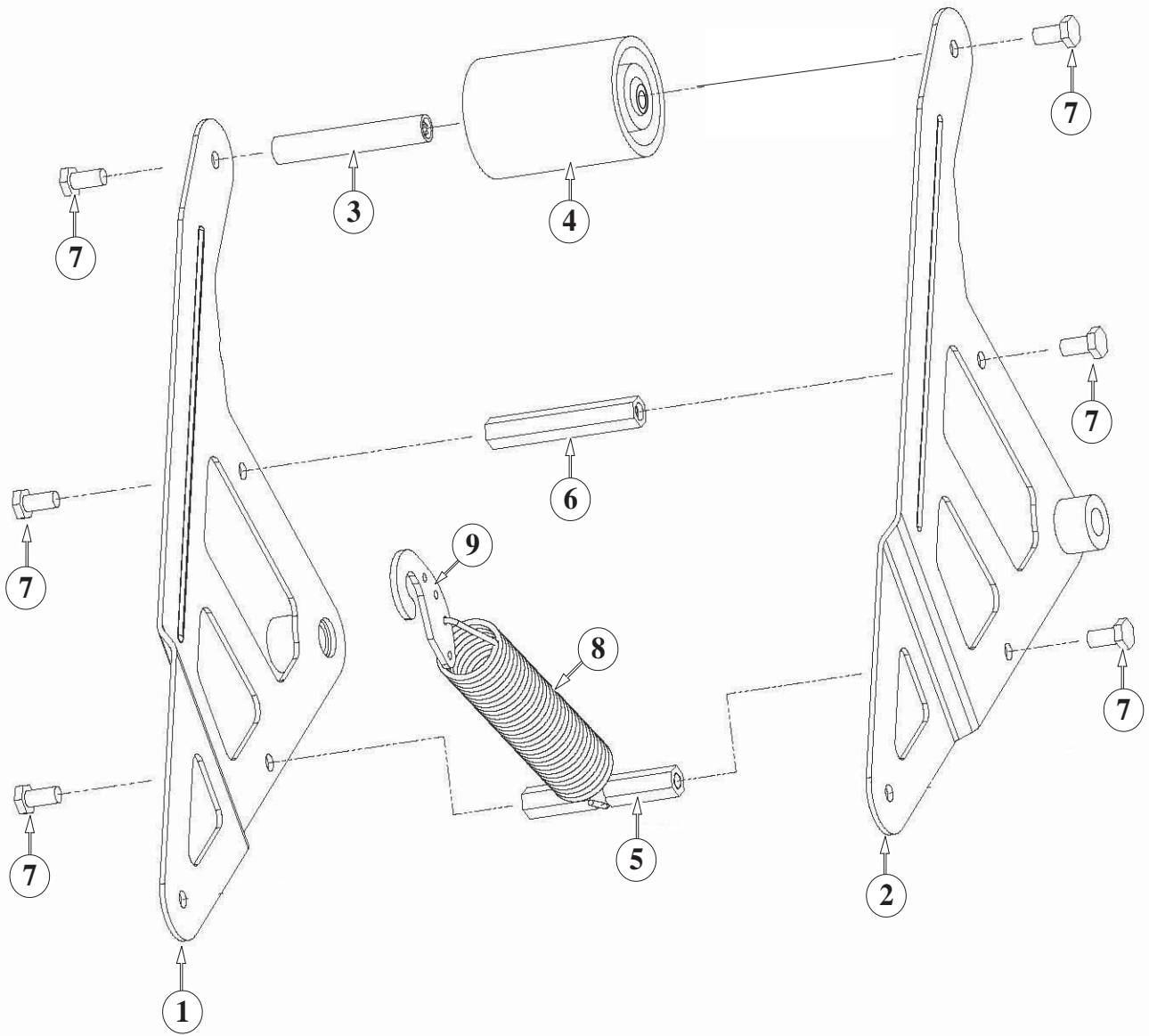


Figure 10927 – Lower Head

## AccuGlide™ 3 - 3"

Figure 10927 – Lower Head

Ref. No.	3M Part No.	Description
10927-1	78-8137-3300-9	Buffing Arm – Sub Assembly
10927-2	78-8137-3301-7	Buffing Arm – Sub Assembly
10927-3	78-8091-0799-4	Shaft – 10 x 85, W/Hexagon
10927-4	78-8137-1397-7	Roller – Buffing
10927-5	78-8076-4739-7	Spacer – Spring
10927-6	78-8052-6580-4	Spacer
10927-7	26-1003-5829-5	Screw – Hex Hd, M6 x 12
10927-8	78-8137-3312-4	Spring – Lower (100 fpm)
10927-9	78-8070-1244-4	Holder – Spring

THIS PAGE IS BLANK





