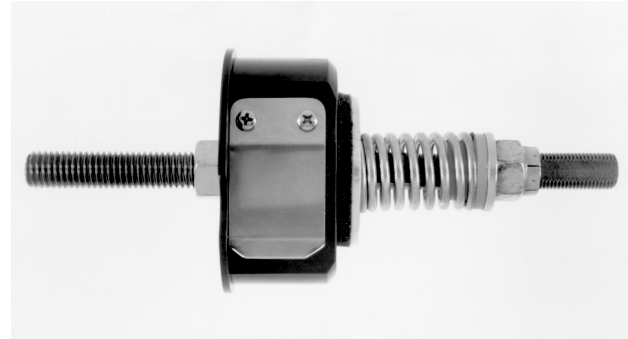


Specifications and Parts List

Scotch[™] Friction Brake Tape Drums BRAND

Ideal for holding rolls of “Scotch” brand pressure-sensitive tape on machines or dispensers constructed for special applications.



P/N 78-8023-2616-1 (shown)
1 Inch Friction Brake Tape Drum Assembly

Features:

- Positive locking tape roll retainers - no core slip.
- Adjustable friction drag to control tape, unwind tension.
- Handles most pressure-sensitive tape rolls on varying 3 inch [76,2 mm] diameter cores.
- Distance between tape drum and mounting adjustable via threaded shaft.

Part No. 78-8023-2616-1 1-Inch Friction Brake Tape Drum Assembly

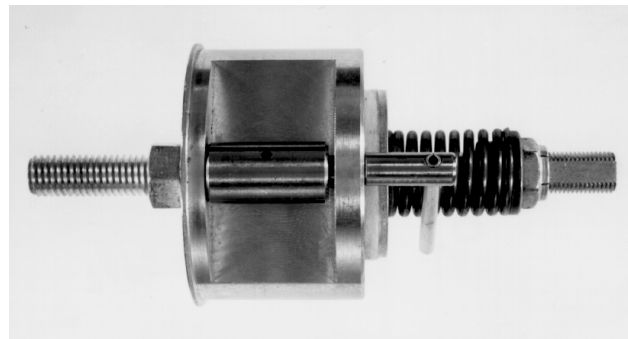
For tape widths 1/4 inch or 6 mm minimum to 1 1/2 inches or 36 mm maximum.
Weight: 13 oz. [370 grams] unpackaged.

Part No. 78-8023-2617-9 2-Inch Friction Brake Tape Drum Assembly

For tape widths 1/4 inch or 6 mm minimum to 3 inches or 72 mm maximum.
Weight: 1 lb. [0,5 kg] unpackaged.

- Reversible tape roll retainers for either clockwise or counterclockwise rotation.
- Easily adaptable to many special dispensers or custom machines.
- Can reduce tape curling.

Refer to Figure 1 for mounting specifications.



P/N 70-8000-3142-2
Cammed Friction Brake Tape Drum Assembly

Features:

- Handles most pressure-sensitive tape rolls on varying 3 inch [76,2 mm] diameter cores.
- Adjustable friction drag to control unwind tension.
- Distance between tape drum and mounting plate adjustable via threaded shaft.

Part No. 70-8000-3142-2 Cammed Friction Brake Tape Drum Assembly

For tape widths 1/2 inch or 12 mm minimum to 2 1/2 inches or 60 mm maximum.
Weight: 2 1/4 lbs. [1,00 kg] unpackaged.

- Easily adaptable to many special dispenser or custom machines.
- Can reduce tape curling.

Refer to Figure 2 for mounting specifications.

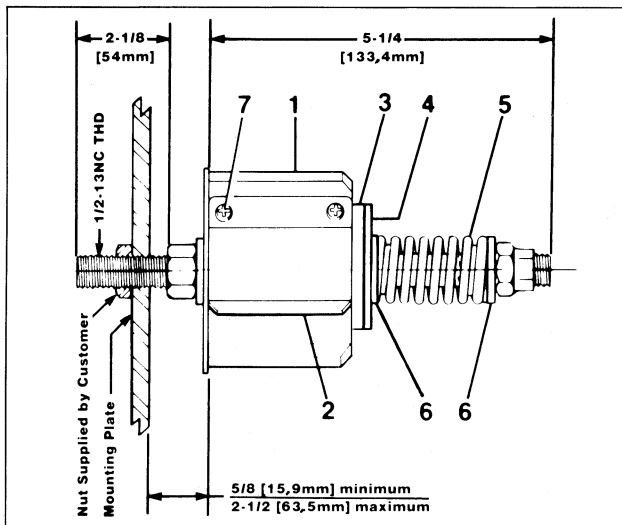


Figure 1 P/N 78-8023-2616-1 and P/N 78-8023-2617-9

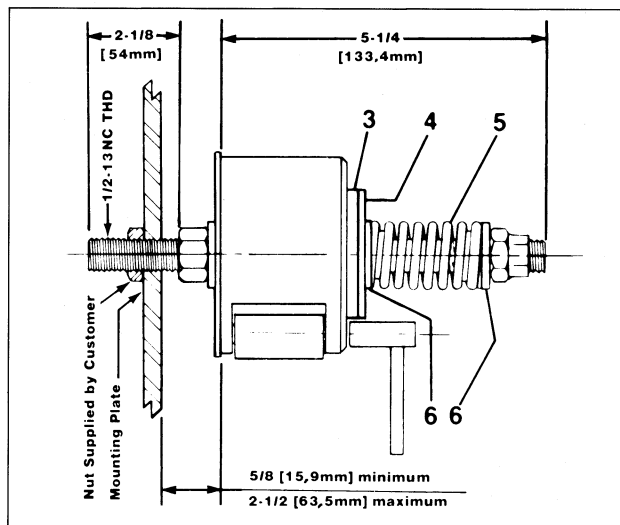


Figure 2 P/N 70-8000-3142-2

Parts List

Tape Drum Assembly Part Numbers

| Ref. No. | Description | Tape Drum Assembly Part Numbers | | |
|----------|--------------------------------|---------------------------------|----------------------------|----------------------------|
| | | Figure 1 78-8023-2616-1 | Figure 1 78-8023-2617-9 | Figure 2 70-8000-3142-2 |
| 1. | Drum | 78-8023-2190-7 | 78-8023-2610-4 | — |
| 2. | Retainer, Tape | 78-8023-2613-8 | 78-8023-2614-6 | — |
| 3. | Washer, Friction | 70-8659-0100-6 | 70-8659-0100-6 | 70-8659-0100-6 |
| 4. | Washer, Torque | 70-8000-3226-3 | 70-8000-3226-3 | 70-8000-3226-3 |
| 5. | Spring, Compression | 26-1003-3635-8 | 26-1003-3635-8 | 26-1003-3635-8 |
| 6. | Retainer - Spring | 78-8023-2609-6 | 78-8023-2609-6 | 78-8023-2609-6 |
| 7. | Screw-Self-Tap, 6-19 x 3/8 Lg. | 26-1002-4949-4 | 26-1002-4949-4 | — |

How To Order Replacement Parts

1. Refer to parts list for correct part number.
2. Order by **part number, description, dispenser name.**
3. Replacement parts and part prices available direct from:

Minimum billing on parts orders will be \$25.00.
Replacement part prices available on request.
\$10.00 restocking charge per invoice on returned parts.

3M/Tape Dispenser Parts
241 Venture Drive
Amery, WI 54001-1325

800/344 9883
FAX # 715/268 8153

Equipment Warranty and Limited Remedy: THE FOLLOWING WARRANTY IS MADE IN LIEU OF ALL OTHER WARRANTIES, EXPRESS OR IMPLIED, INCLUDING, BUT NOT LIMITED TO, THE IMPLIED WARRANTY OF FITNESS FOR A PARTICULAR PURPOSE AND ANY IMPLIED WARRANTY ARISING OUT OF A COURSE OF DEALING, A CUSTOM OR USAGE OF TRADE:

3M warrants that its **Scotch™ brand dispensers** will be free from defects for ninety (90) days after delivery. If any part is proved to be defective within the warranty period, then the exclusive remedy and 3M's and seller's sole obligation shall be, at 3M's option, to repair or replace the part, provided the defective parts is returned immediately to 3M's factory or an authorized service station designated by 3M. A part will be presumed to have become defective after the warranty period unless the part is received or 3M is notified of the problem no later than five (5) calendar days after the warranty period. If 3M is unable to repair or replace the part within a reasonable time, then 3M, at its option, will replace the equipment or refund the purchase price.

Limitation of Liability: 3M and seller shall not be liable for direct, indirect, special, incidental or consequential damages based upon breach of warranty, breach of contract, negligence, strict liability or any other legal theory.

The foregoing Equipment Warranty and Limited Remedy and Limitation of Liability may be changed only by a written agreement signed by authorized officers of 3M and seller.



3M Packaging Systems Division
3M Center Bldg 220-8W-01
St. Paul, MN 55144-1000

"Scotch" is a trademark of 3M,
St. Paul, Minnesota 55144-1000

Litho U.S.A.

©3M 1997 34-7004-7131-0 (H17.1)