

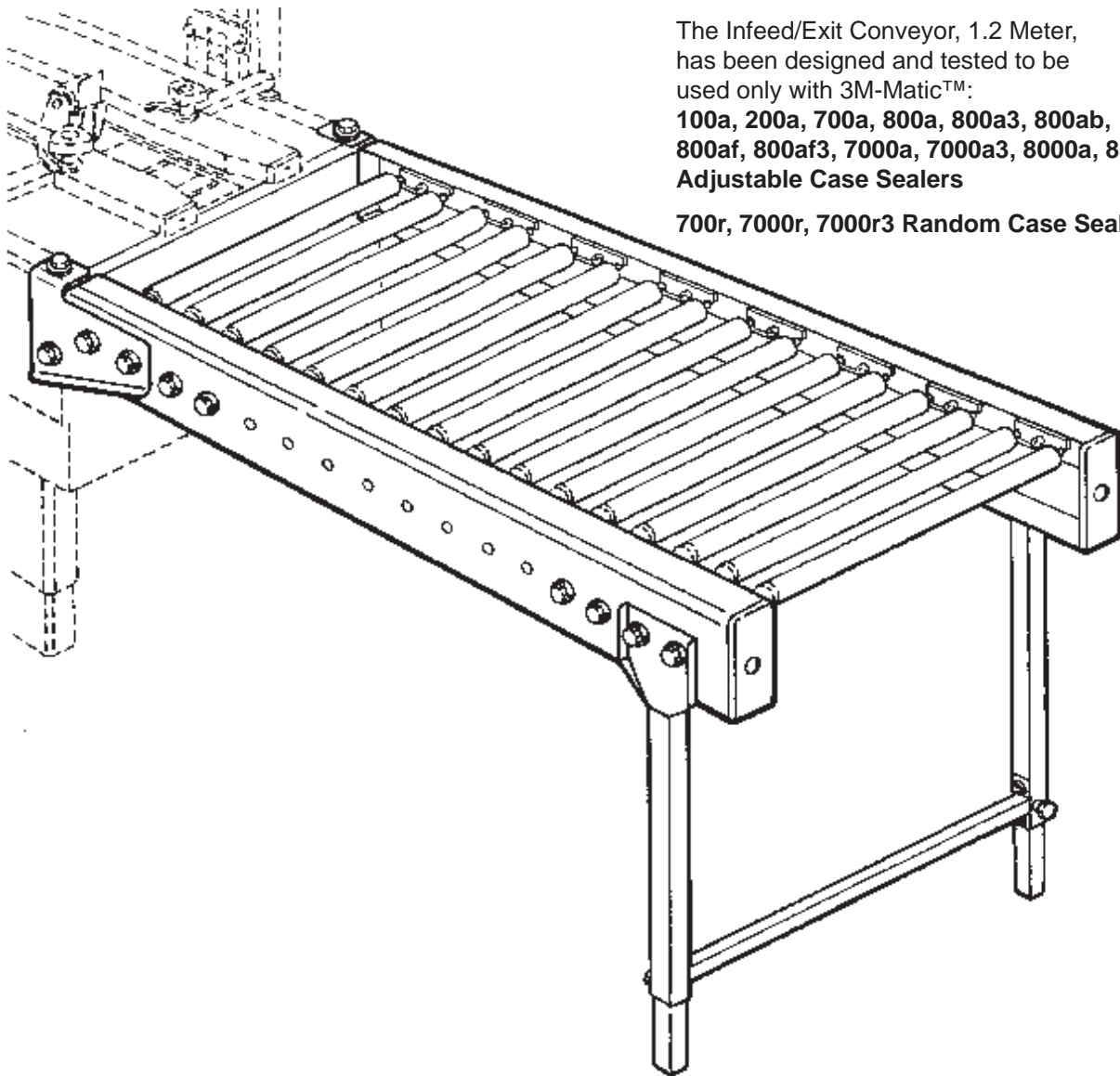
# Instructions and Parts List

---

## 3M-Matic™

**P/N 78-8069-3971-2**

**Infeed/Exit Conveyor Attachment - 1.2 Meter - Type 19100**



The Infeed/Exit Conveyor, 1.2 Meter, has been designed and tested to be used only with 3M-Matic™:  
**100a, 200a, 700a, 800a, 800a3, 800ab, 800af, 800af3, 7000a, 7000a3, 8000a, 8000a3 Adjustable Case Sealers**  
**700r, 7000r, 7000r3 Random Case Sealers**

**Infeed/Exit Conveyor Attachment, 1.2 Meter**  
(200a Adjustable Case Sealer installation shown)

---

### Purpose of Attachment

The Infeed/Exit Conveyor Attachment, 1.2 Meter, when installed on the infeed or discharge end of a case sealer provides additional conveyor platform surface. Use of this product for other purposes may lead to unsafe conditions.

## Specifications

### Overall Dimensions:

Length	–	1210mm [47-11/16 in.]
Height	–	90mm [3-1/2 in.]
Width	–	655mm [25-3/4 in.]

### Weight:

Packaged	–	31.8 kg [70 lbs.] approx.
Unpackaged	–	31.3 kg [69 lbs] approx.

### Contents:

- (1) Conveyor Roller Assembly
  - (2) Leg Assembly W/Mounting Hardware
  - (1) Leg Crossbrace
  - (1) Package includes:
    - Bracket – R/H, L/H (All except 800af-7000-8000)
    - Bracket – R/H, L/H (800af only)
    - Bracket – R/H, L/H (7000-8000 only)
    - (8) M8x16 Hex Screws
    - (8) M8 Plain Washers
    - (4) M8 Hex Nuts
  - Hardware for mounting optional
    - Box Hold Down Attachment
    - P/N 78-8052-6553-1
- 

## Installation

See Figure 1



### WARNING

1. **Turn off and disconnect electrical and air supply to case sealer before beginning conveyor installation. Failure to do so could result in injury to personnel or damage to machine.**
2. **Safe installation of this product requires two people to prevent personal injury.**

1. Remove M6 nuts and plain washers from leg crossbar mounting studs on lower end of each leg and attach crossbar as shown.
2. Remove M8 nuts, plain washers and bolts from top mounting flange of both legs and attach legs to conveyor as shown.

**Note** – Legs may be attached in alternate location if desired.

3. Measure height from floor to case sealer machine bed and adjust legs on conveyor to this approximate dimension. (Loosen height adjustment lock bolt on both legs, adjust inner legs in or out and tighten height adjustment lock bolt.)
4. Attach right and left-hand conveyor brackets to conveyor with M8x16 bolts, plain washers and nuts as shown. Do not tighten nuts.
5. Attach conveyor assembly to case sealer with M8x16 bolts and plain washers as shown. Do not tighten bolts.
6. Adjust conveyor legs if necessary to level conveyor.
7. Tighten all nuts/bolts (4) on both conveyor brackets.

**Note:** Bracket (Part #29) and related hardware shown on parts drawing are used for mounting Optional Box Hold Down Attachment on conveyor (P/N 78-8052-6553-1).

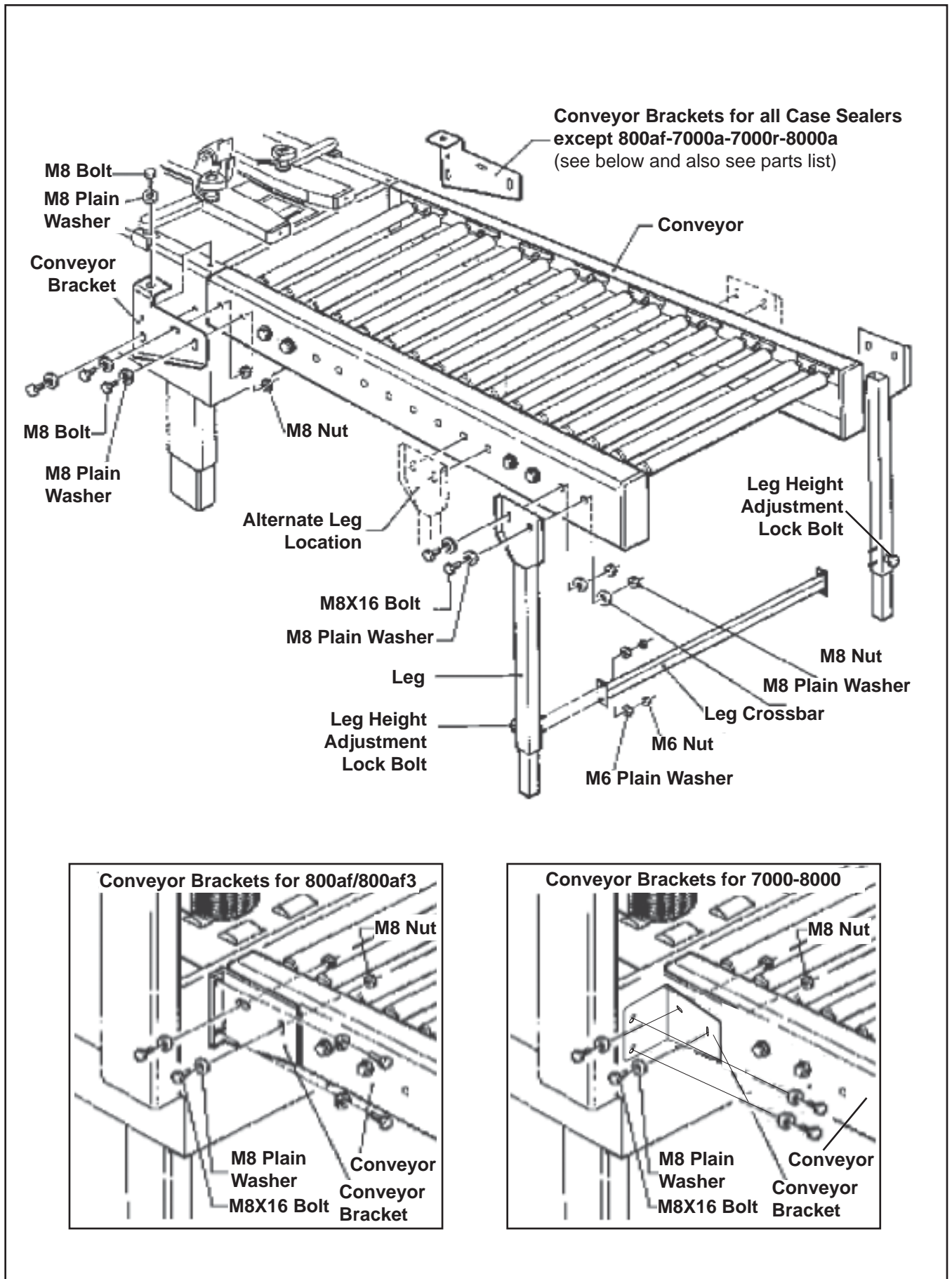


Figure 1 – Installation

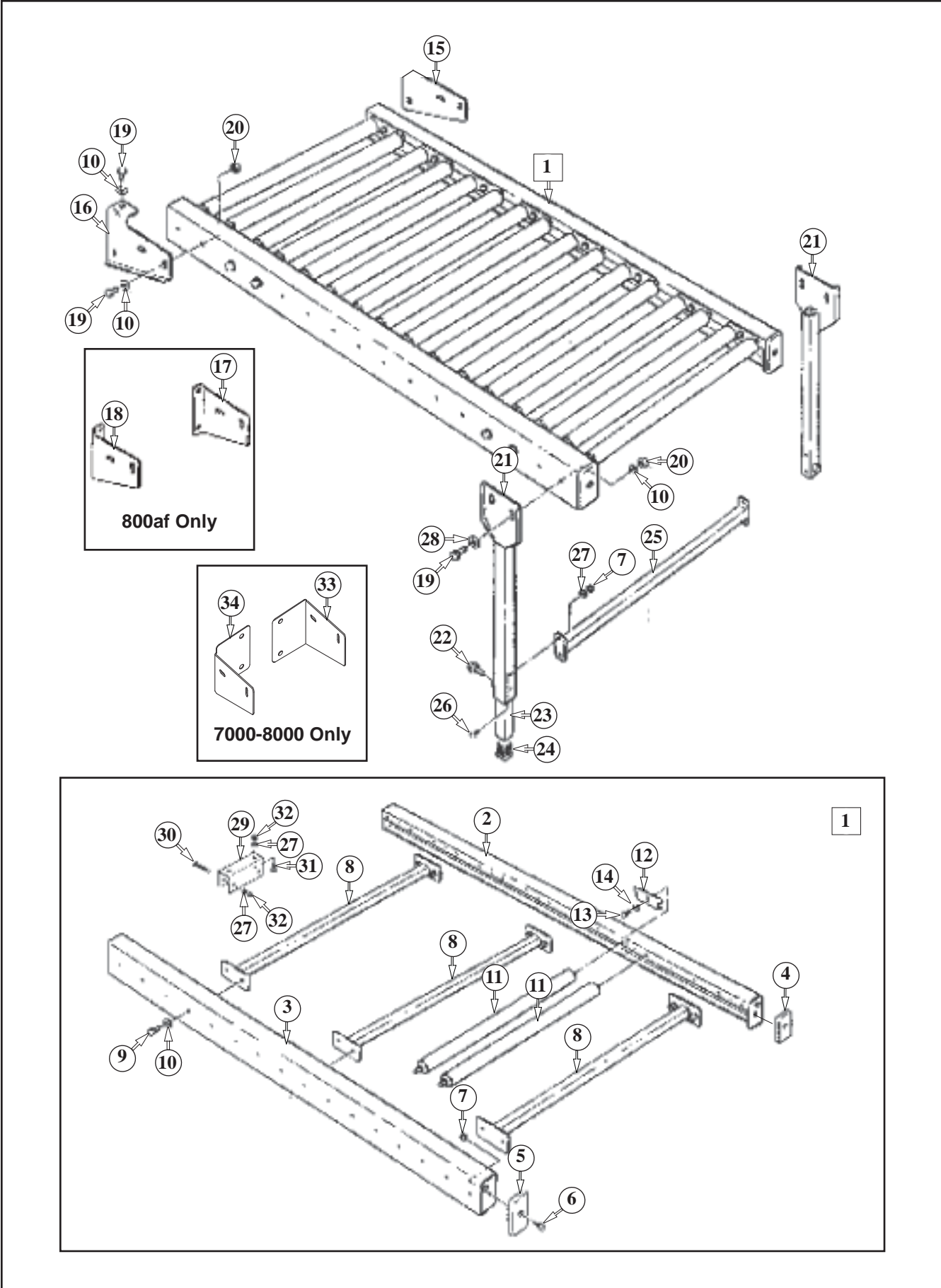


Figure 2 – Parts Drawing

## Replacement Parts List

Ref No.	Part Number	Description	Ref No.	Part Number	Description
1	78-8094-6000-5	Conveyor Assembly	17	78-8094-6006-2	Bracket – R/H (800af only)
2	78-8094-6001-3	Frame – R/H	18	78-8094-6007-0	Bracket – L/H (800af only)
3	78-8094-6002-1	Frame – L/H	19	26-1003-5841-0	Screw – M8x16
4	78-8076-4511-0	Cap – Front, R/H	20	26-1003-6904-5	Nut – Hex M8
5	78-8076-4512-8	Cap – Front, L/H	21	78-8094-6008-8	Leg
6	78-8032-0375-7	Screw – Hex Hd, M6x16	22	26-1002-4189-7	Screw – Hex Hd. M10x20
7	78-8010-7418-4	Nut – Hex, M6	23	78-8094-6009-6	Leg – Inner
8	78-8094-6003-9	Crossbrace – Conveyor	24	78-8094-6010-4	Cap
9	26-1003-5842-8	Screw – Hex Hd, M8 x 20	25	78-8094-6011-2	Crossbrace – Leg
10	78-8017-9318-9	Washer – Plain, 8mm	26	78-8094-6012-0	Screw – Special, M6x16
11	78-8076-4579-7	Roller	27	26-1000-0010-3	Washer – Flat M6
12	78-8076-4507-8	Plate – Infeed	28	26-1004-5507-5	Washer – M8
13	78-8010-7157-8	Screw – Hex Hd, M4 x 10	29	78-8119-8958-7	Bracket
14	78-8005-5740-3	Washer – Plain, 4mm	30	26-1002-5836-2	Screw – Hex Hd, M6x40
15	78-8094-6004-7	Bracket – R/H (All except 800af-7000-8000)	31	26-1001-9843-6	Screw – Flat Soc Hd. M6x16
16	78-8094-6005-4	Bracket – L/H (All except 800af-7000-8000)	32	26-1003-6916-9	Nut – Locking Plastic Insert M6
			33	78-8137-8087-7	Bracket – R/H (7000-8000 only)
			34	78-8137-8088-5	Bracket – L/H (7000-8000 only)

## How To Order Replacement Parts

1. Refer to Parts Illustration Figure 3 to find part needed and reference number.
2. Refer to parts list for correct part number.
3. Order by part number, description, attachment part number and name.
4. Replacement parts and part prices available direct from:
 

**3M/Tape Dispenser Parts**  
**241 Venture Drive (800) 344-9883**  
**Amery, WI 54001-1325 FAX (715) 268-8153**

**Minimum billing on parts orders will be \$25.00. Replacement part prices available on request.  
\$10.00 restocking charge per invoice on returned parts.**

**Equipment Warranty and Limited Remedy: THE FOLLOWING WARRANTY IS MADE IN LIEU OF ALL OTHER WARRANTIES, EXPRESS OR IMPLIED, INCLUDING, BUT NOT LIMITED TO, THE IMPLIED WARRANTY OF MERCHANTABILITY, THE IMPLIED WARRANTY OF FITNESS FOR A PARTICULAR PURPOSE AND ANY IMPLIED WARRANTY ARISING OUT OF A COURSE OF DEALING, A CUSTOM OR USAGE OF TRADE:**

3M warrants that its **3M-Matic™ P/N 78-8069-3971-2 Infeed/Exit Conveyor Attachment, 1.2 Meter, Type 19100** will be free from defects for ninety (90) days after delivery. If any part is proved to be defective within the warranty period, then the exclusive remedy and 3M's and seller's sole obligation shall be, at 3M's option, to repair or replace the part, provided the defective part is returned immediately to 3M's factory or an authorized service station designated by 3M. A part will be presumed to have become defective after the warranty period unless the part is received or 3M is notified of the problem no later than five (5) calendar days after the warranty period. If 3M is unable to repair or replace the part within a reasonable time, then 3M, at its option, will replace the equipment or refund the purchase price. 3M shall have no obligation to provide or pay for the labor required to install the repaired or replacement part. 3M shall have no obligation to repair or replace (1) those parts failing due to operator misuse, carelessness, or due to any accidental cause other than equipment failure, or (2) parts failing due to non-lubrication, inadequate cleaning, improper operating environment, improper utilities or operator error.

**Limitation of Liability:** 3M and seller shall not be liable for direct, indirect, special, incidental or consequential damages based upon breach of warranty, breach of contract, negligence, strict liability or any other legal theory.

The foregoing Equipment Warranty and Limited Remedy and Limitation of Liability may be changed only by a written agreement signed by authorized officers of 3M and seller.

**3M Packaging Systems Division**

3M Center, Building 220-8W-01  
St. Paul, MN 55144-1000

"Scotch" and "3M-Matic" are trademarks  
of 3M, St. Paul, Minnesota 55144-1000

Litho in U.S.A.

©3M 2016 44-0009-1938-9 (C)